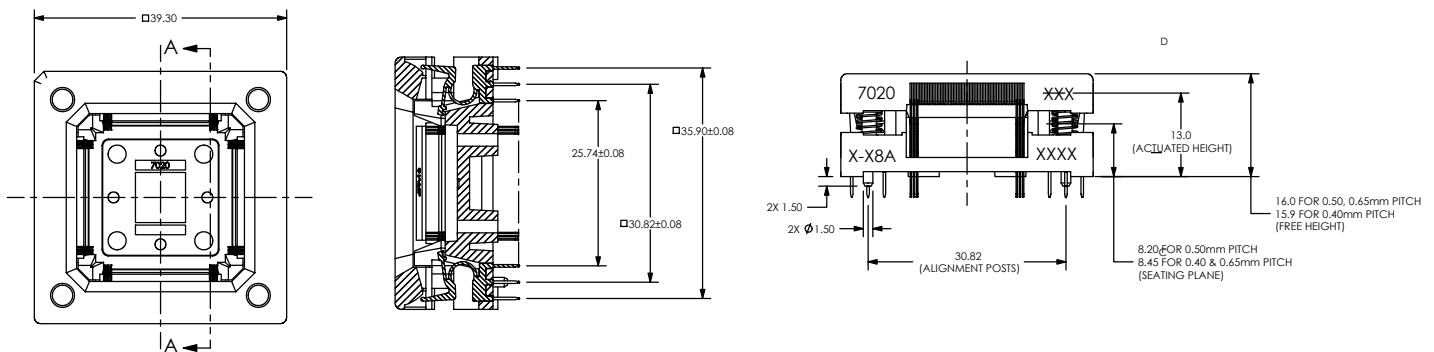
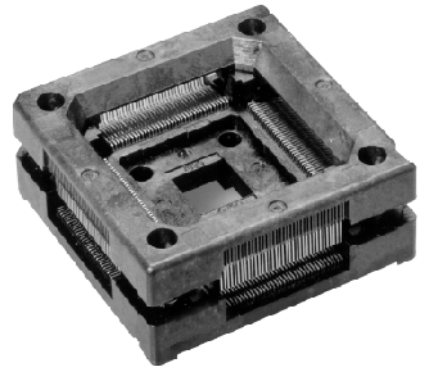




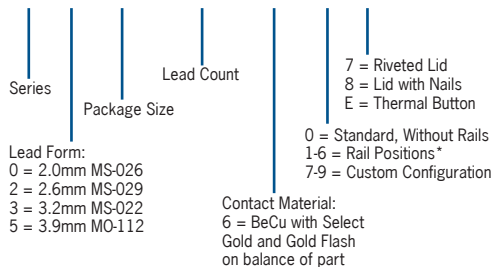
7000 SERIES QFP & TQFP

- Open Top
- Zero Insertion Force for auto load
- High normal force scrubbing contacts
- For 0.5mm pitch and higher, corner post alignment feature accommodates JEDEC package dimensions
- Modular tooling provides maximum flexibility to meet most lead form and pin count combinations
- Thru hole design



DESCRIPTION & ORDERING INFORMATION

7 X XX - XXX - X - X X



MATERIALS & SPECIFICATIONS

- Socket Body: PPS, PEI or Equivalent
- Contact: Beryllium Copper Alloy
- Contact Plating: Gold over Nickel
- Contact Normal Force: 20 grams
- Contact Resistance: 30 mΩ
- Dielectric: 1000V AC RMS for 1 minute
- Insulation Resistance: 5,000 MΩ @ 100V DC
- Temperature Rating: -55°C to +150°C
- Current Rating: 1.0 Amp
- Durability: 10,000 cycles min.



7000 SERIES QFP & TQFP

Package Size	Lead Count	Pitch e (mm)	Dim A X B (mm)	Standard QFP Sockets			TQFP Sockets	Notes
				MO-112 3.9 ld form	MO-108 / MS-022 3.2 ld form	MO-143 2.6 ld form	MO-136 / MS-026 2.0 ld form	
7 X 7	32	0.80	28.3 X 28.3				7007-032-X-07	
7 X 7	48	0.50	28.3 X 28.3				7007-048-X-07	
10 X 10	44	0.80	29.3 X 29.3				7010-044-X-08	
10 X 10	44	0.80	31.3 X 31.3		7310-044-X-08			
10 X 10	44	0.80	31.3 X 31.3	7510-044-X-08				
10 X 10	52	0.65	29.3 X 29.3				7010-052-X-08	
10 X 10	52	0.65	31.3 X 31.3		7310-052-X-08			
10 X 10	52	0.65	31.3 X 31.3	7510-052-X-08				
10 X 10	64	0.50	29.3 X 29.3				7010-064-X-08	
12 X 12	80	0.50	35.3 X 35.3				7012-080-X-08	
14 X 14	64	0.80	33.3 X 33.3				7014-064-X-08	
14 X 14	64	0.80	35.3 X 35.3		7314-064-X-08			
14 X 14	80	0.65	33.3 X 33.3				7014-080-X-08	
14 X 14	80	0.65	35.3 X 35.3		7314-080-X-08			
14 X 14	100	0.50	33.3 X 33.3				7014-100-X-08	
14 X 20	100	0.65	32.0 X 38.0				7042-100-X-08	
14 X 20	100	0.65	35.3 X 41.3	7542-100-X-07	7342-100-X-07			
14 X 20	128	0.50	32.0 X 38.0		7342-128-X-07	7242-128-X-07	7042-128-X-08	Consult Factory
20 X 20	112	0.65	39.3 X 39.3				7020-112-X-08	
20 X 20	128	0.50	39.3 X 39.3				7020-128-X-08	Consult Factory
20 X 20	144	0.50	39.3 X 39.3				7020-144-X-08	
24 X 24	160	0.50	43.3 X 43.3				7024-160-X-08	Consult Factory
24 X 24	176	0.50	43.3 X 43.3				7024-176-X-08	Consult Factory
28 X 28	144	0.65	49.3 X 49.3		7328-144-X-08			
28 X 28	160	0.65	49.3 X 49.3	7528-160-X-08	7328-160-X-08			
28 X 28	208	0.50	49.3 X 49.3			7228-208-X-08	7028-208-X-08	