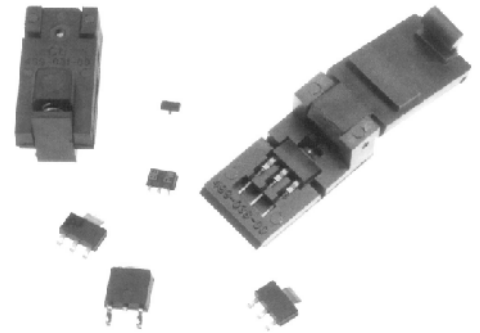


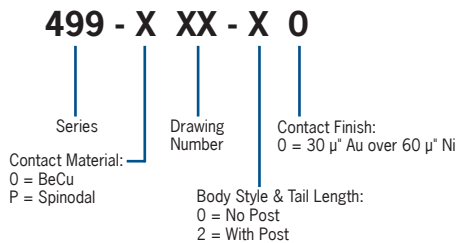


499 SERIES SURFACE MOUNT FAMILY OF SOT & TO DEVICES

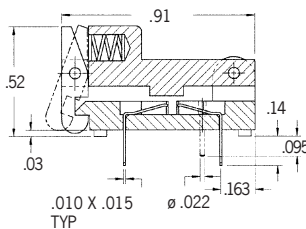
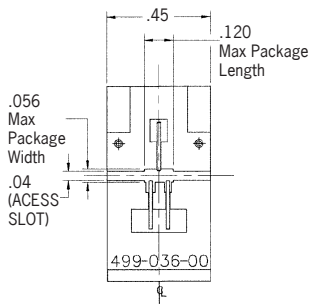
- Wide product selection
- Gold contact plating
- High temperature materials
- Low insertion force
- Small outlines for greater board density



DESCRIPTION & ORDERING INFORMATION



499-P36-20
TO-236 3 Lead SOT-23 Sockets



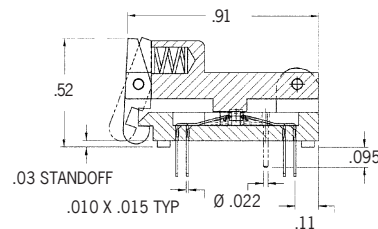
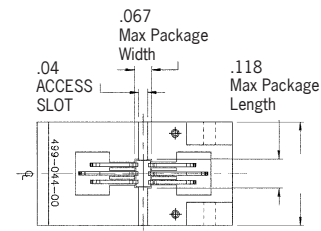
Pin to Centerline = .039"

MATERIALS & SPECIFICATIONS

- Socket Body: PPS or Equivalent
- Contact: Beryllium Copper Alloy of Spinodal
- Contact Plating: Gold over Nickel
- Contact Resistance: Less than 10 mΩ
- Dielectric: 1000V AC RMS for 1 minute
- Temperature Rating: -55°C to +155°C
- Current Rating: Exceeds Device

499-P43-20
5 Lead MO-178 Sockets

499-P44-20
6 Lead MO-178 Sockets

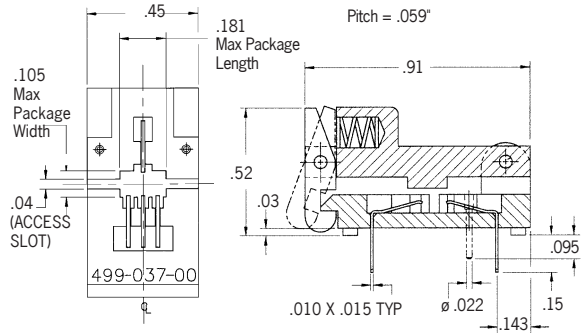


Pitch = .037"

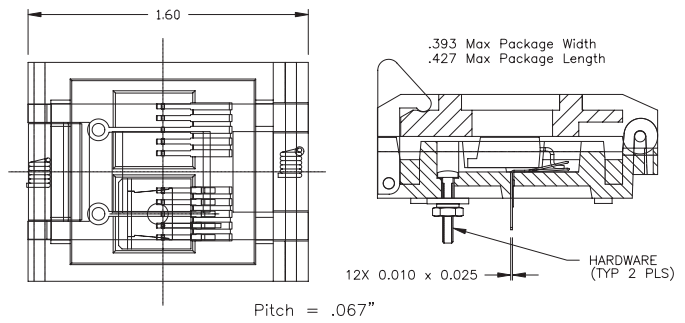


499 SERIES SURFACE MOUNT FAMILY OF SOT & TO DEVICES

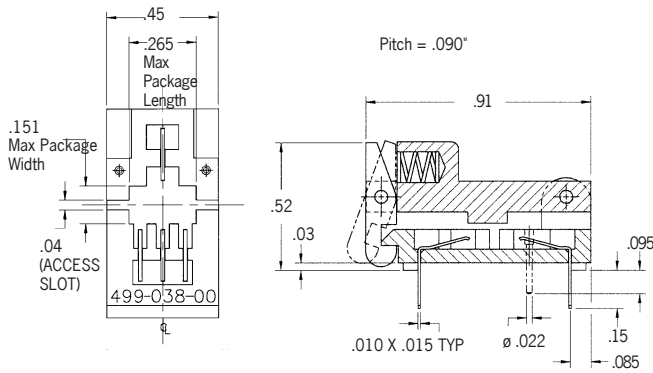
499-P37-20
TO-243 4 Lead SOT-89 Sockets



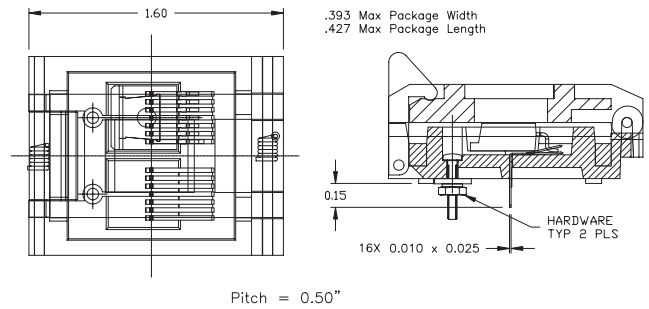
499-042-00
5 Lead TO-263 Sockets



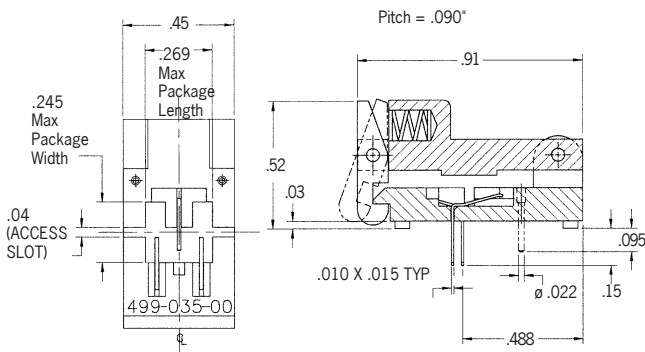
499-P38-20
TO-261 4 Lead SOT-223 Sockets



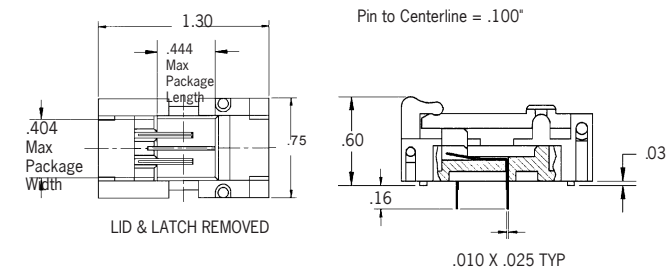
499-041-00
7 Lead TO-263 Sockets



499-P35-20
3 Lead TO-252 (D-Pak) Sockets



499-040-00
D² Pak Sockets



ALL DIMENSIONS SHOWN IN INCHES