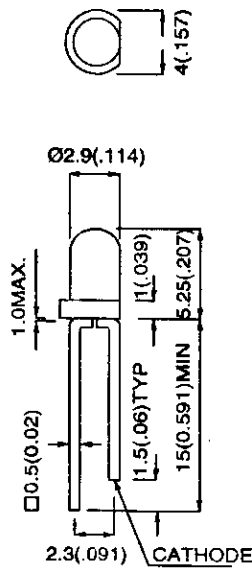
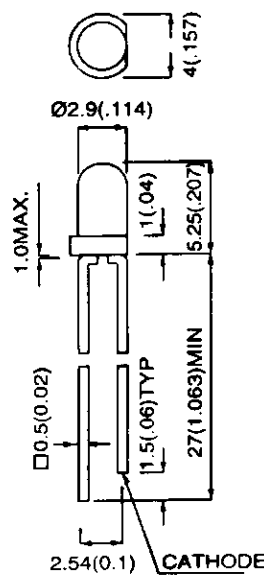


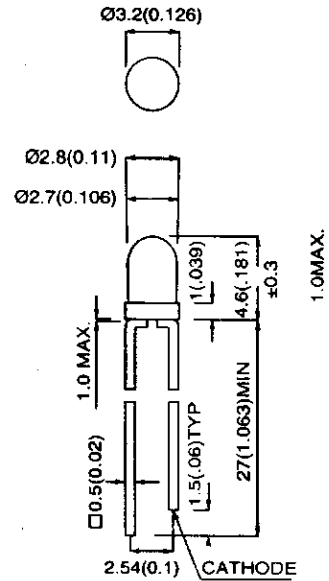
• Figure 1



• Figure 2



• Figure 3



Tolerance: ±0.25 (0.01)  
Unit: mm (inch)

Type	Part Number	Emitting Color	Emitting Material	Lens-color	Wave Length (nm)	Luminous Intensity IF=10mA (mcd)		Figure No.
						Min.	Max.	
3mm/Round	TTL-300R2PD-5	Red	GaP	Red Diffused	700	0.8	0.2	1
	TTL-300R2HD-5	Red	GaAsP/GaP	Red Diffused	625	8.0	20.0	
	TTL-300G2HD-5	Green	GaP	Green Diffused	565	5.0	12.5	
	TTL-300Y2HD-5	Yellow	GaAsP/GaP	Yellow Diffused	590	5.0	12.5	
	TTL-300R4PD-7	Red	GaP	Red Diffused	700	1.3	3.2	2
	TTL-300R4HD-7	Red	GaAsP/GaP	Red Diffused	625	12.5	32.0	
	TTL-300G4HD-7	Green	GaP	Green Diffused	565	5.0	20.0	
3mm/Round	TTL-300Y4HD-7	Yellow	GaAsP/GaP	Yellow Diffused	590	5.0	20.0	
	TTL-300O4HD-7	Orange	GaAsP/GaP	Orange Diffused	590	5.0	20.0	
	TTL-300R4HC-7	Red	GaAsP/GaP	Water Clear	625	32.0	125.0	
	TTL-300G4HC-7	Green	GaP	Water Clear	565	20.0	80.0	
	TTL-300Y4HC-7	Yellow	GaAsP/GaP	Water Clear	590	20.0	80.0	
	TTL-300R4HT-7	Red	GaAsP/GaP	Red Transparent	625	32.0	125.0	
	TTL-300G4HT-7	Green	GaP	Green Transparent	565	20.0	80.0	
	TTL-300Y4HT-7	Yellow	GaAsP/GaP	Yellow Transparent	590	20.0	80.0	
	TTL-300O4HT-7	Orange	GaAsP/GaP	Orange Transparent	590	20.0	80.0	
	TTL-300R4SDA-8	Red	GaA/As	Red Diffused	660	200	300	
	TTL-300R4SDB-8	Red	GaA/As	Red Diffused	660	300	400	
	TTL-300R4SDC-8	Red	GaA/As	Red Diffused	660	400	600	
	TTL-300R4SCA-8	Red	GaA/As	Water Clear	660	700	1000	
	TTL-300R4SCB-8	Red	GaA/As	Water Clear	660	1000	1200	
	TTL-300R4UC-8	Red	GaA/As	Water Clear	660	1200	1400	
	TTL-300G4SD-8	Green	GaP	Green Diffused	568	40	60	
	TTL-300G4SC-8	Green	GaP	Water Clear	568	100	300	
TTL-300Y4SD-8	Yellow	GaA/As	Yellow Diffused	595	800	1400		
TTL-300Y4SC-8	Yellow	GaA/As	Water Clear	595	2000	3000		
3mm/Round	TTL-300R4PD-6	Red	GaP	Red Diffused	700	1.3	3.2	3
	TTL-300R4HD-6	Red	GaAs/GaP	Red Diffused	625	12.5	32.0	
	TTL-300G4HD-6	Green	GaP	Green Diffused	565	5.0	20.0	
	TTL-300Y4HD-6	Yellow	GaAsP/GaP	Yellow Diffused	590	5.0	20.0	