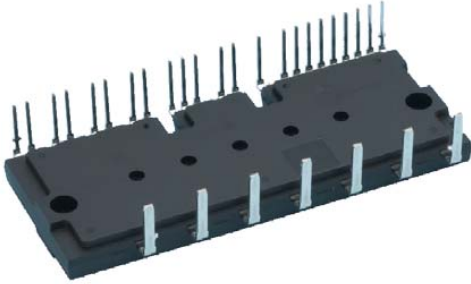


< Dual-In-Line Package Intelligent Power Module >

# PS22A78-E

TRANSFER MOLDING TYPE  
INSULATED TYPE

## OUTLINE



## MAIN FEATURES AND RATINGS

- 3 phase DC/AC inverter
- 1200V / 35A
- Built-in LPT-CSTBT (5th generation IGBT)
- Insulated transfer molding package
- N-side IGBT open emitter

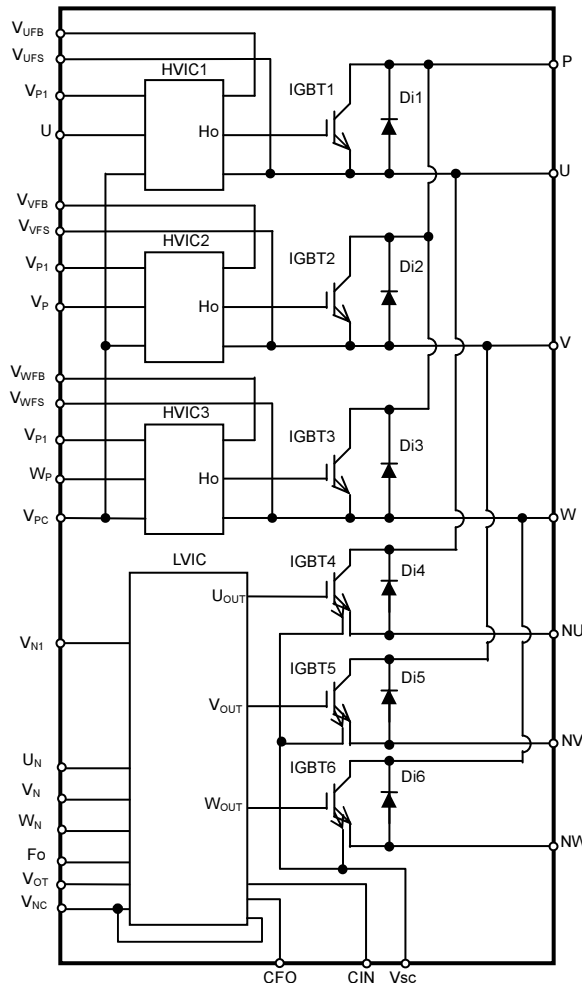
## APPLICATION

- AC 400V class motor control

## INTEGRATED DRIVE, PROTECTION AND SYSTEM CONTROL FUNCTIONS

- For P-side : Drive circuit, High voltage high-speed level shifting, Control supply under-voltage (UV) protection
- For N-side : Drive circuit, Control supply under-voltage protection (UV), Short circuit protection (SC)
- Fault signaling : Corresponding to SC fault (N-side IGBT), UV fault (N-side supply)
- Temperature output : Outputting LVIC temperature by analog signal
- Input interface : 5V line, Schmitt trigger receiver circuit (High Active)
- UL Recognized : UL1557 File E80276

## INTERNAL CIRCUIT



< Dual-In-Line Package Intelligent Power Module >

**PS22A78-E**

TRANSFER MOLDING TYPE  
INSULATED TYPE

**MAXIMUM RATINGS** (T<sub>j</sub> = 25°C, unless otherwise noted)

**INVERTER PART**

Symbol	Parameter	Condition	Ratings	Unit
V <sub>CC</sub>	Supply voltage	Applied between P-NU,NV,NW	900	V
V <sub>CC(surge)</sub>	Supply voltage (surge)	Applied between P-NU,NV,NW	1000	V
V <sub>CEs</sub>	Collector-emitter voltage		1200	V
±I <sub>C</sub>	Each IGBT collector current	T <sub>C</sub> = 25°C	35	A
±I <sub>CP</sub>	Each IGBT collector current (peak)	T <sub>C</sub> = 25°C, up to 1ms	70	A
P <sub>C</sub>	Collector dissipation	T <sub>C</sub> = 25°C, per 1 chip	129.9	W
T <sub>j</sub>	Junction temperature		-20~+150	°C

**CONTROL (PROTECTION) PART**

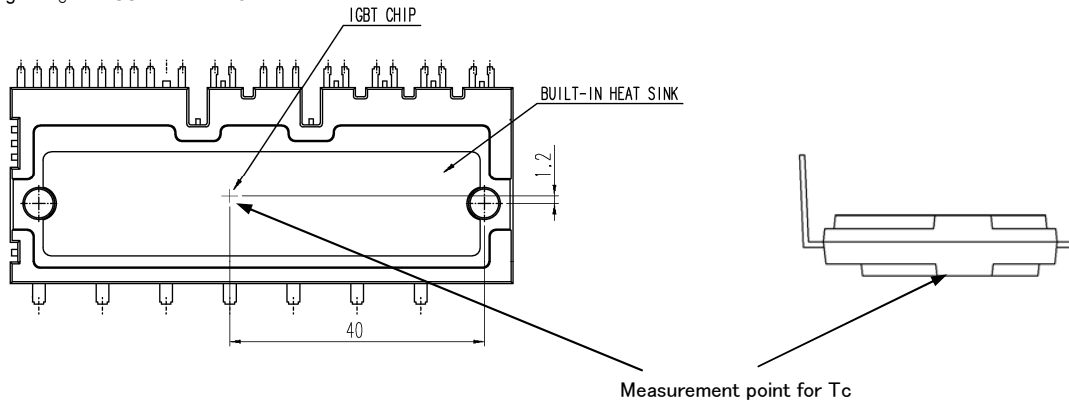
Symbol	Parameter	Condition	Ratings	Unit
V <sub>D</sub>	Control supply voltage	Applied between V <sub>P1</sub> -V <sub>PC</sub> , V <sub>N1</sub> -V <sub>NC</sub>	20	V
V <sub>DB</sub>	Control supply voltage	Applied between V <sub>UFB</sub> -V <sub>UFS</sub> , V <sub>VFB</sub> -V <sub>VFS</sub> , V <sub>WFB</sub> -V <sub>WFS</sub>	20	V
V <sub>IN</sub>	Input voltage	Applied between U <sub>P</sub> , V <sub>P</sub> , W <sub>P</sub> -V <sub>PC</sub> , U <sub>N</sub> , V <sub>N</sub> , W <sub>N</sub> -V <sub>NC</sub>	-0.5~V <sub>D</sub> +0.5	V
V <sub>FO</sub>	Fault output supply voltage	Applied between F <sub>O</sub> -V <sub>NC</sub>	-0.5~V <sub>D</sub> +0.5	V
I <sub>FO</sub>	Fault output current	Sink current at F <sub>O</sub> terminal	1	mA
V <sub>SC</sub>	Current sensing input voltage	Applied between C <sub>IN</sub> -V <sub>NC</sub>	-0.5~V <sub>D</sub> +0.5	V

**TOTAL SYSTEM**

Symbol	Parameter	Condition	Ratings	Unit
V <sub>CC(PROT)</sub>	Self protection supply voltage limit (Short circuit protection capability)	V <sub>D</sub> = 13.5~16.5V, Inverter Part T <sub>j</sub> = 125°C, non-repetitive, up to 2μs	800	V
T <sub>C</sub>	Module case operation temperature	(Note 1)	-20~+100	°C
T <sub>stg</sub>	Storage temperature		-40~+125	°C
V <sub>iso</sub>	Isolation voltage	60Hz, Sinusoidal, AC 1min, between connected all pins and heat sink plate	2500	V <sub>rms</sub>

Note 1: T<sub>C</sub> measurement point is described in Fig. 1.

Fig. 1: T<sub>C</sub> MEASUREMENT POINT



**THERMAL RESISTANCE**

Symbol	Parameter	Condition	Limits			Unit
			Min.	Typ.	Max.	
R <sub>th(f-c)Q</sub>	Junction to case thermal resistance (Note 2)	Inverter IGBT part (per 1/6 module)	-	-	0.77	K/W
R <sub>th(f-c)F</sub>		Inverter FWDi part (per 1/6 module)	-	-	1.25	K/W

Note 2: Grease with good thermal conductivity and long-term endurance should be applied evenly with about +100μm~+200μm on the contacting surface of DIPIPM and heat sink. The contacting thermal resistance between DIPIPM case and heat sink R<sub>th(c-f)</sub> is determined by the thickness and the thermal conductivity of the applied grease. For reference, R<sub>th(c-f)</sub> is about 0.2K/W (per 1/6 module, grease thickness: 20μm, thermal conductivity: 1.0W/m·k).

< Dual-In-Line Package Intelligent Power Module >

**PS22A78-E**

**TRANSFER MOLDING TYPE  
INSULATED TYPE**

**ELECTRICAL CHARACTERISTICS** ( $T_j = 25^\circ\text{C}$ , unless otherwise noted)

**INVERTER PART**

Symbol	Parameter	Condition	Limits			Unit	
			Min.	Typ.	Max.		
$V_{CE(sat)}$	Collector-emitter saturation voltage	$V_D=V_{DB} = 15\text{V}, V_{IN}= 5\text{V}, I_C= 35\text{A}$	$T_j= 25^\circ\text{C}$	-	1.90	2.60	V
			$T_j= 125^\circ\text{C}$	-	2.00	2.70	
$V_{EC}$	FWDi forward voltage	$V_{IN}= 0\text{V}, -I_C= 35\text{A}$	-	2.20	2.80	V	
$t_{on}$	Switching times	$V_{CC}= 600\text{V}, V_D= V_{DB}= 15\text{V}$ $I_C= 35\text{A}, T_j= 125^\circ\text{C}, V_{IN}= 0\leftrightarrow 5\text{V}$ Inductive Load (upper-lower arm)		0.50	1.20	1.90	$\mu\text{s}$
$t_{C(on)}$				-	0.60	0.90	$\mu\text{s}$
$t_{off}$				-	2.40	3.50	$\mu\text{s}$
$t_{C(off)}$				-	0.60	0.90	$\mu\text{s}$
$t_{rr}$				-	0.50	-	$\mu\text{s}$
$I_{CES}$	Collector-emitter cut-off current	$V_{CE}=V_{CES}$	$T_j= 25^\circ\text{C}$	-	-	1	mA
			$T_j= 125^\circ\text{C}$	-	-	10	

**CONTROL (PROTECTION) PART**

Symbol	Parameter	Condition	Limits			Unit	
			Min.	Typ.	Max.		
$I_D$	Circuit current	Total of $V_{P1}-V_{PC}, V_{N1}-V_{NC}$	$V_D=15\text{V}, V_{IN}=0\text{V}$	-	-	5.60	mA
			$V_D=15\text{V}, V_{IN}=5\text{V}$	-	-	5.60	
$I_{DB}$		Each part of $V_{UFB}-V_{UFS}, V_{VFB}-V_{VFS}, V_{WFB}-V_{WFS}$	$V_D=V_{DB}=15\text{V}, V_{IN}=0\text{V}$	-	-	1.10	
			$V_D=V_{DB}=15\text{V}, V_{IN}=5\text{V}$	-	-	1.10	
$I_{SC}$	Short circuit trip level	$-20^\circ\text{C}\leq T_j\leq 125^\circ\text{C}, R_s= 48.7\Omega (\pm 1\%),$ Not connecting outer shunt resistors to NU, NV, NW terminals (Note 3)		59.5	-	-	A
$UV_{DBt}$	P-side Control supply under-voltage protection(UV)	$T_j\leq 125^\circ\text{C}$	Trip level	10.0	-	12.0	V
$UV_{DBr}$			Reset level	10.5	-	12.5	V
$UV_{Dt}$	N-side Control supply under-voltage protection(UV)	$T_j\leq 125^\circ\text{C}$	Trip level	10.3	-	12.5	V
$UV_{Dr}$			Reset level	10.8	-	13.0	V
$V_{FOH}$	Fault output voltage	$V_{SC} = 0\text{V}, F_O$ terminal pulled up to 5V by 10k $\Omega$		4.9	-	-	V
$V_{FOL}$		$V_{SC} = 1\text{V}, I_{FO} = 1\text{mA}$		-	-	0.95	V
$t_{FO}$	Fault output pulse width	$C_{FO}=22\text{nF}$ (Note 4)		1.6	2.4	-	ms
$I_{IN}$	Input current	$V_{IN} = 5\text{V}$		0.70	1.00	1.50	mA
$V_{th(on)}$	ON threshold voltage	Applied between $U_P, V_P, W_P, U_N, V_N, W_N-V_{NC}$		-	-	3.5	V
$V_{th(off)}$	OFF threshold voltage			0.8	-	-	
$V_{OT}$	Temperature output	LVIC temperature = 85 $^\circ\text{C}$ (Note 5)		3.57	3.63	3.69	V

Note 3: Short circuit protection detects sense current divided from main current at N-side IGBT and works for N-side IGBT only. In the case that outer shunt resistor is inserted into main current path, protection current level  $I_{SC}$  changes. For details, please refer the application note for this DIPIPM.

4: Fault signal is output when short circuit or N-side control supply under-voltage protection works. The fault output pulse-width  $t_{FO}$  depends on the capacitance of  $C_{FO}$ . ( $C_{FO}(\text{typ.}) = t_{FO} \times (9.1 \times 10^{-6})$  [F])

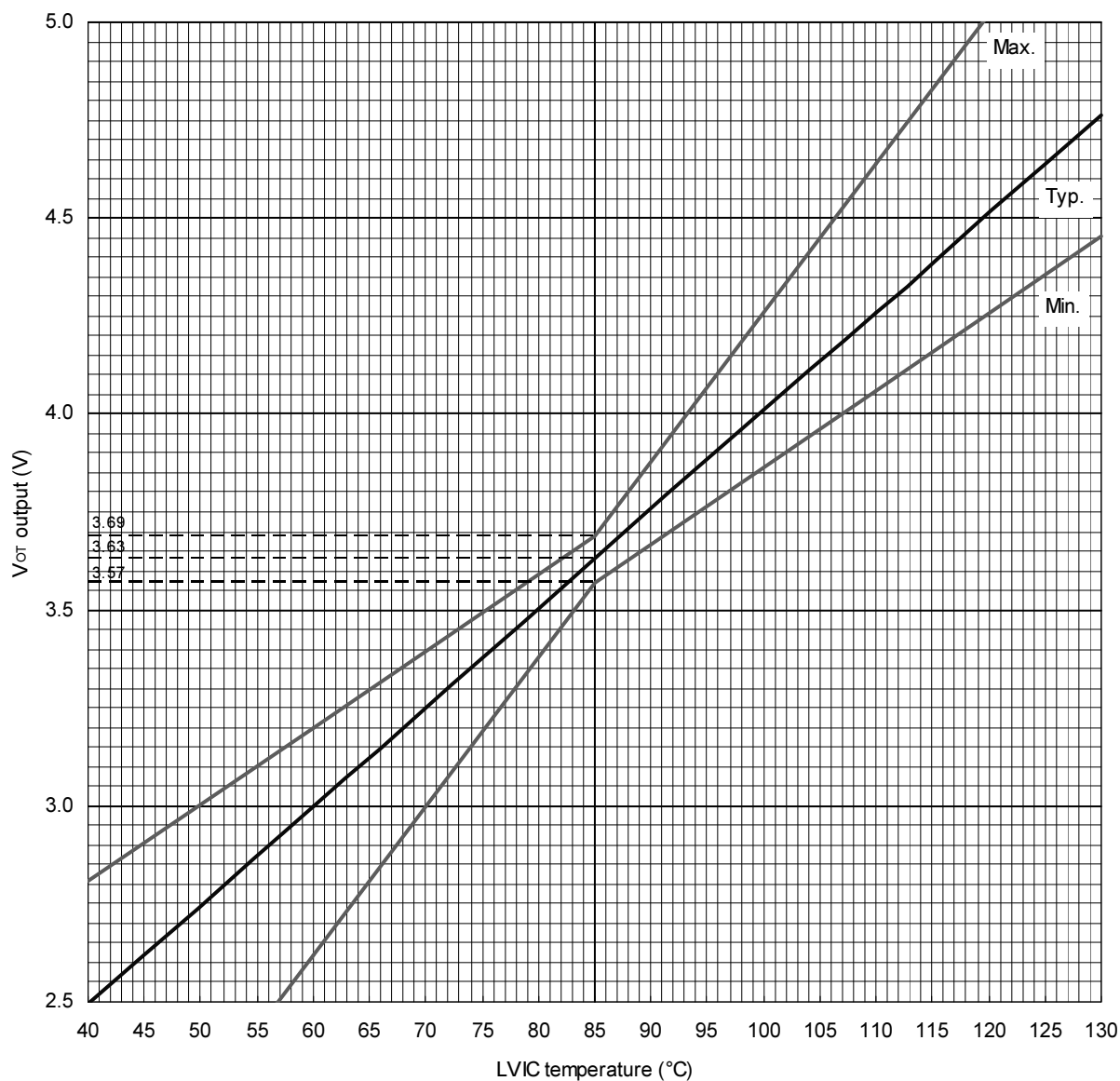
5: DIPIPM doesn't shut down IGBTs and output fault signal automatically when temperature rises excessively. When temperature exceeds the protective level that user defined, controller (MCU) should stop the DIPIPM immediately. This output might exceed 5V when temperature rises excessively, so it is recommended to insert a clamp Di between controller supply (e.g. 5V) and  $V_{OT}$  output for overvoltage protection. Temperature of LVIC vs.  $V_{OT}$  output characteristics is described in Fig.2

# PS22A78-E

TRANSFER MOLDING TYPE

INSULATED TYPE

Fig. 2 Temperature of LVIC vs.  $V_{OT}$  Output Characteristics



Please refer the application note about the usage of  $V_{OT}$  too.

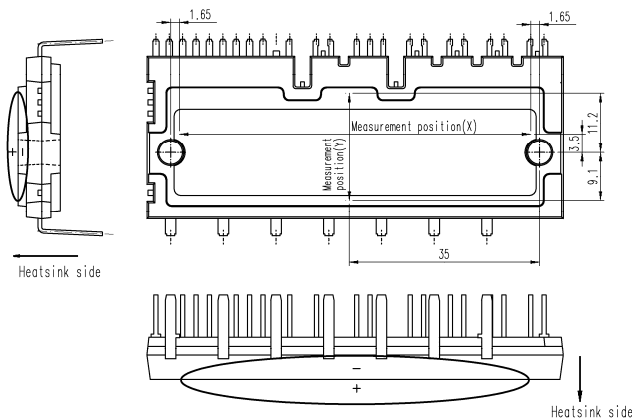
# PS22A78-E

TRANSFER MOLDING TYPE  
INSULATED TYPE

## MECHANICAL CHARACTERISTICS AND RATINGS

Parameter	Condition		Limits			Unit
			Min.	Typ.	Max.	
Mounting torque	Mounting screw : M4	Recommended 1.18N·m	0.98	1.18	1.47	N·m
Terminal pulling strength	Load 19.6N	EIAJ-ED-4701	10	-	-	s
Terminal bending strength	Load 9.8N, 90deg. bend	EIAJ-ED-4701	2	-	-	times
Weight			-	46	-	g
Heat-sink flatness		(Note 6)	-50	-	100	μm

Note 6: Measurement point of heat-sink flatness



## RECOMMENDED OPERATION CONDITIONS

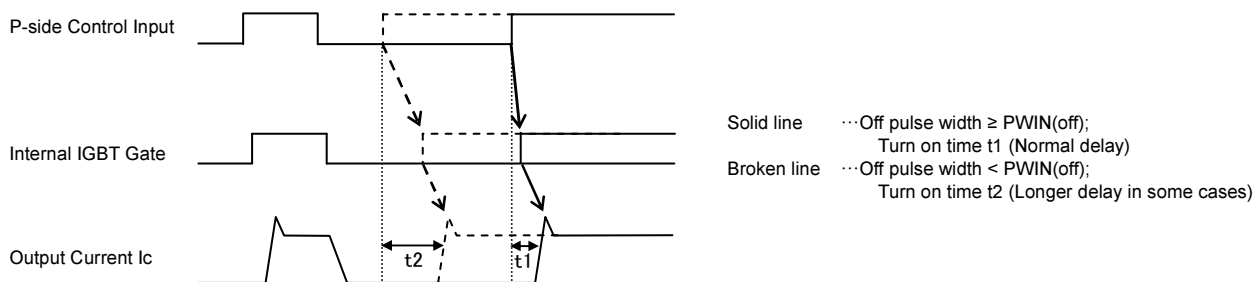
Symbol	Parameter	Condition	Limits			Unit
			Min.	Typ.	Max.	
$V_{CC}$	Supply voltage	Applied between P-NU, NV, NW	350	600	800	V
$V_D$	Control supply voltage	Applied between $V_{P1}$ - $V_{PC}$ , $V_{N1}$ - $V_{NC}$	13.5	15.0	16.5	V
$V_{DB}$	Control supply voltage	Applied between $V_{UFB}$ - $V_{UFS}$ , $V_{VFB}$ - $V_{VFS}$ , $V_{WFB}$ - $V_{WFS}$	13.0	15.0	18.5	V
$\Delta V_D, \Delta V_{DB}$	Control supply variation		-1	-	+1	V/μs
$t_{dead}$	Arm shoot-through blocking time	For each input signal	3.0	-	-	μs
$f_{PWM}$	PWM input frequency	$T_C \leq 100^\circ\text{C}$ , $T_J \leq 125^\circ\text{C}$	-	-	20	kHz
$I_o$	Allowable r.m.s. current	$V_{CC} = 600\text{V}$ , $V_D = 15\text{V}$ , P.F = 0.8, Sinusoidal PWM $T_C \leq 100^\circ\text{C}$ , $T_J \leq 125^\circ\text{C}$ (Note 7)	$f_{PWM} = 5\text{kHz}$	-	19.1	Arms
			$f_{PWM} = 15\text{kHz}$	-	12.8	
PWIN(on)	Minimum input pulse width	(Note 8)	1.5	-	-	μs
PWIN(off)		$350 \leq V_{CC} \leq 800\text{V}$ , $13.5 \leq V_D \leq 16.5\text{V}$ , $13.0 \leq V_{DB} \leq 18.5\text{V}$ , $-20^\circ\text{C} \leq T_C \leq 100^\circ\text{C}$ , N line wiring inductance less than 10nH (Note 9)	$I_C \leq 35\text{A}$	2.3	-	
			$35\text{A} < I_C \leq 59.5\text{A}$	2.9	-	-
$V_{NC}$	$V_{NC}$ variation	Between $V_{NC}$ -NU, NV, NW (including surge)	-5.0	-	+5.0	V
$T_J$	Junction temperature		-20	-	+125	°C

Note 7: The allowable r.m.s. current value depends on the actual application conditions.

Note 8: DIPIM might not make response to the input on signal with pulse width less than PWIN (on).

Note 9: IPM might make no response or delayed response (P-side IGBT only) for the input signal with off pulse width less than PWIN(off). Please refer Fig. 3 about delayed response.

Fig. 3 About Delayed Response Against Shorter Input Off Signal Than PWIN(off) (P-side only)



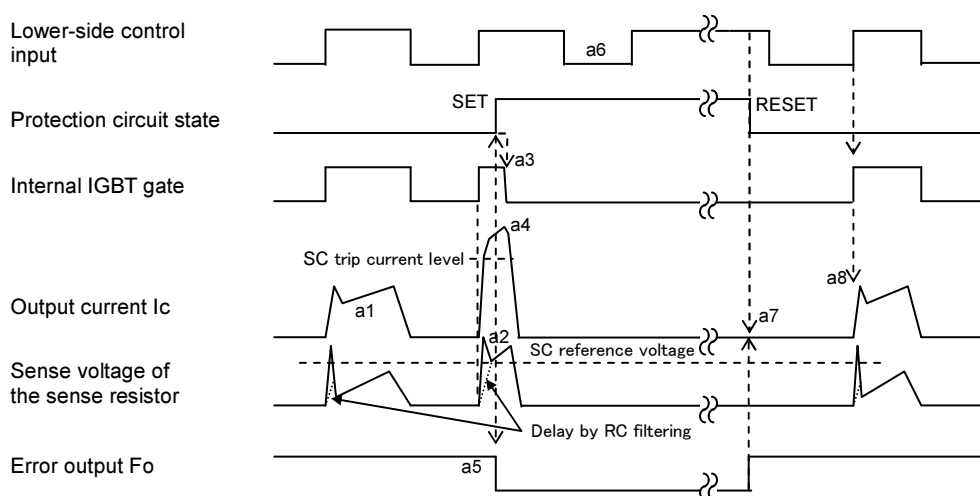
# PS22A78-E

TRANSFER MOLDING TYPE  
INSULATED TYPE

Fig. 4 Timing Charts of DIIPM Protective Functions

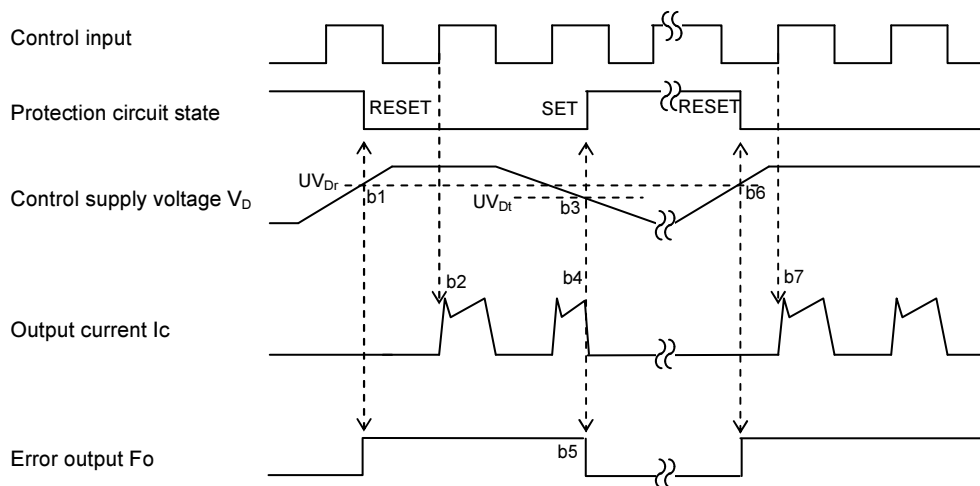
[A] Short-Circuit Protection (N-side only with the external sense resistor and RC filter)

- a1. Normal operation: IGBT ON and outputs current.
- a2. Short circuit current detection (SC trigger)  
(It is recommended to set RC time constant 1.5~2.0 $\mu$ s so that IGBT shut down within 2.0 $\mu$ s when SC occurs.)
- a3. All N-side IGBT's gates are hard interrupted.
- a4. All N-side IGBTs turn OFF.
- a5. F<sub>O</sub> outputs with a fixed pulse width determined by the external capacitor C<sub>FO</sub>.
- a6. Input = "L": IGBT OFF
- a7. Fo finishes output, but IGBTs don't turn on until inputting next ON signal (L→H).
- (IGBT of each phase can return to normal state by inputting ON signal to each phase.)
- a8. Normal operation: IGBT ON and outputs current.



[B] Under-Voltage Protection (N-side, UV<sub>D</sub>)

- b1. Control supply voltage V<sub>D</sub> exceeds under voltage reset level (UV<sub>Dr</sub>), but IGBT turns ON by next ON signal (L→H).  
(IGBT of each phase can return to normal state by inputting ON signal to each phase.)
- b2. Normal operation: IGBT ON and outputs current.
- b3. V<sub>D</sub> level drops to under voltage trip level. (UV<sub>Dt</sub>).
- b4. All N-side IGBTs turn OFF in spite of control input condition.
- b5. Fo outputs for the period determined by the capacitance C<sub>FO</sub>, but output is extended during V<sub>D</sub> keeps below UV<sub>Dr</sub>.
- b6. V<sub>D</sub> level reaches UV<sub>Dr</sub>.
- b7. Normal operation: IGBT ON and outputs current by next ON signal (L→H).



# PS22A78-E

TRANSFER MOLDING TYPE  
INSULATED TYPE

### [C] Under-Voltage Protection (P-side, $UV_{DB}$ )

- c1. Control supply voltage  $V_{DB}$  rises. After the voltage reaches under voltage reset level  $UV_{DBr}$ , IGBT turns on by next ON signal (L→H).
- c2. Normal operation: IGBT ON and outputs current.
- c3.  $V_{DB}$  level drops to under voltage trip level ( $UV_{DBt}$ ).
- c4. IGBT of corresponding phase only turns OFF in spite of control input signal level, but there is no  $F_o$  signal output.
- c5.  $V_{DB}$  level reaches  $UV_{DBr}$ .
- c6. Normal operation: IGBT ON and outputs current by next ON signal (L→H).

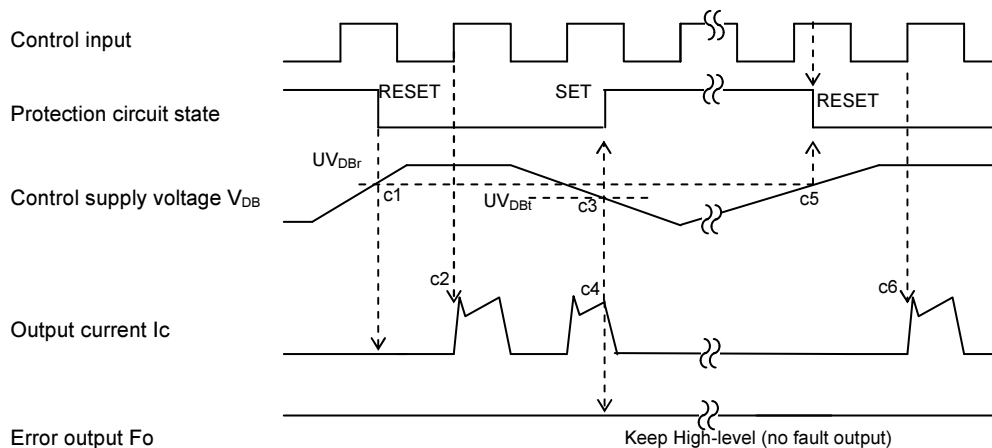
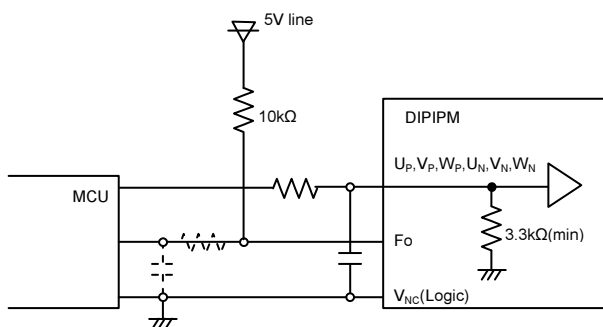


Fig. 5 MCU I/O Interface Circuit

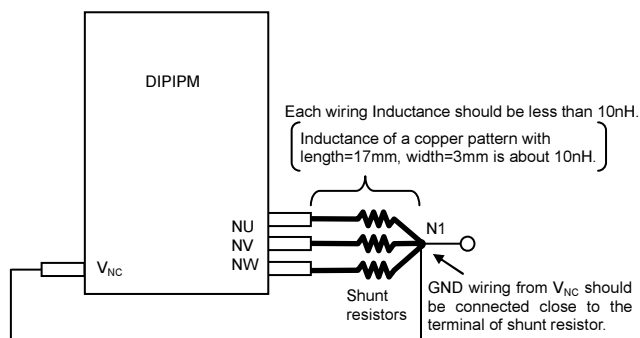


Note)

Design for input RC filter depends on the PWM control scheme used in the application and the wiring impedance of the printed circuit board. But because noisier in the application for 1200V, it is strongly recommended to insert RC filter. (Time constant: over 100ns. e.g. 100Ω, 1000pF) The DIPIPM input signal interface integrates a min. 3.3kΩ pull-down resistor. Therefore, when using RC filter, be careful to satisfy turn-on threshold voltage requirement.

$F_o$  output is open drain type. It should be pulled up to the positive side of 5V or 15V power supply with the resistor that limits  $F_o$  sink current  $I_{F_o}$  under 1mA. In the case of pulling up to 5V supply, over 5.1kΩ is needed. (10kΩ is recommended.)

Fig. 6 Wiring Pattern around the Shunt Resistor in the Case of Inserting into Main Current Path



Low inductance shunt resistor like surface mounted (SMD) type is recommended. Protection current level  $I_{sc}$  changes by inserting shunt resistor.





< Dual-In-Line Package Intelligent Power Module >

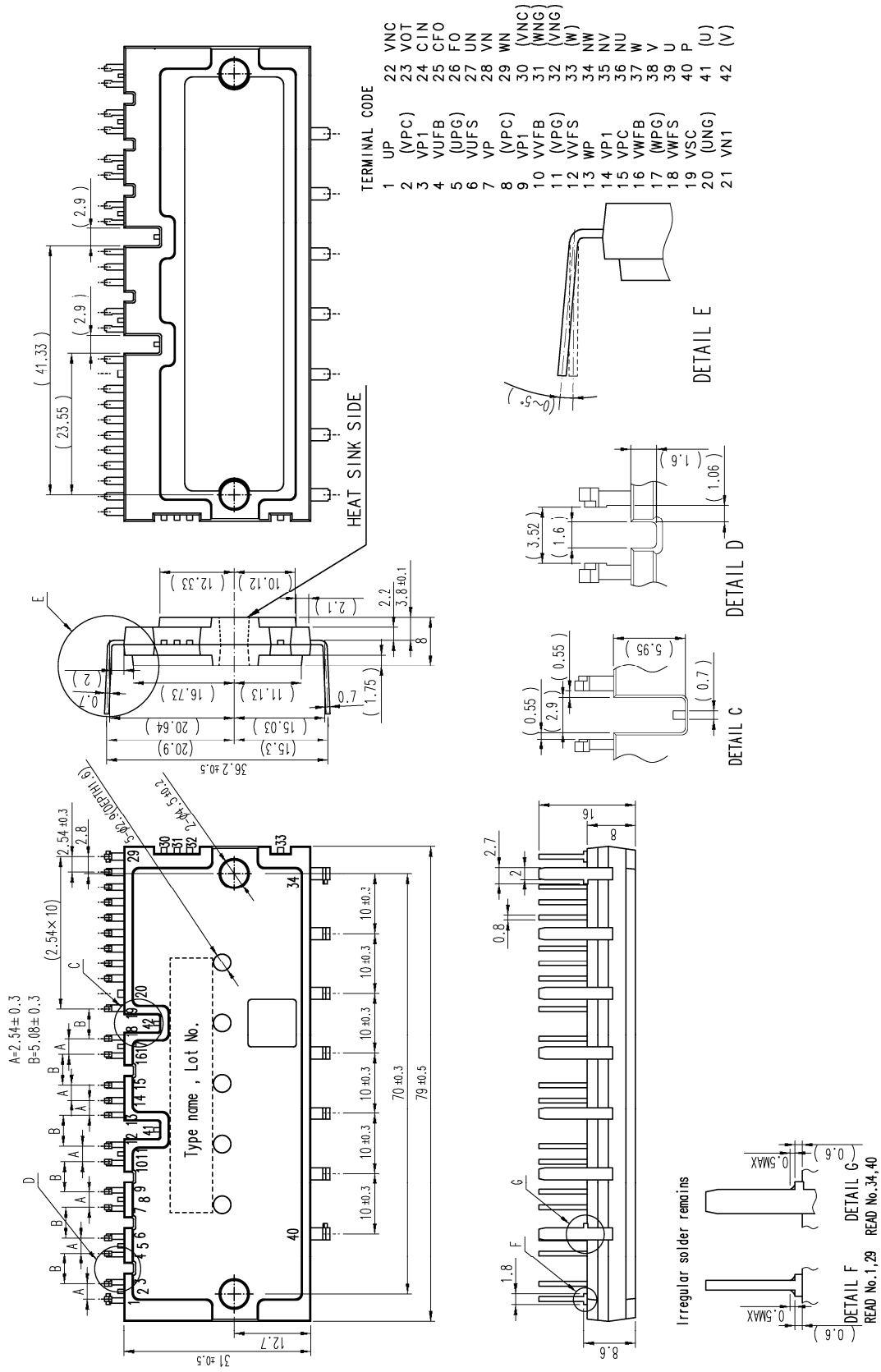
**PS22A78-E**

TRANSFER MOLDING TYPE

INSULATED TYPE

Fig. 8 Package Outlines

Dimensions in mm



< Dual-In-Line Package Intelligent Power Module >

# PS22A78-E

TRANSFER MOLDING TYPE

INSULATED TYPE

---

## Revision Record

Rev.	Date	Page	Revised contents
1	3/15/2011	-	New
2	1/31/2012	-	Change document format
		7	Add Fig.6.
		8	Revise notes.

**Keep safety first in your circuit designs!**

Mitsubishi Electric Corporation puts the maximum effort into making semiconductor products better and more reliable, but there is always the possibility that trouble may occur with them. Trouble with semiconductors may lead to personal injury, fire or property damage. Remember to give due consideration to safety when making your circuit designs, with appropriate measures such as (i) placement of substitutive, auxiliary circuits, (ii) use of non-flammable material or (iii) prevention against any malfunction or mishap.

**Notes regarding these materials**

- These materials are intended as a reference to assist our customers in the selection of the Mitsubishi semiconductor product best suited to the customer's application; they do not convey any license under any intellectual property rights, or any other rights, belonging to Mitsubishi Electric Corporation or a third party.
- Mitsubishi Electric Corporation assumes no responsibility for any damage, or infringement of any third-party's rights, originating in the use of any product data, diagrams, charts, programs, algorithms, or circuit application examples contained in these materials.
- All information contained in these materials, including product data, diagrams, charts, programs and algorithms represents information on products at the time of publication of these materials, and are subject to change by Mitsubishi Electric Corporation without notice due to product improvements or other reasons. It is therefore recommended that customers contact Mitsubishi Electric Corporation or an authorized Mitsubishi Semiconductor product distributor for the latest product information before purchasing a product listed herein.

The information described here may contain technical inaccuracies or typographical errors. Mitsubishi Electric Corporation assumes no responsibility for any damage, liability, or other loss rising from these inaccuracies or errors.

Please also pay attention to information published by Mitsubishi Electric Corporation by various means, including the Mitsubishi Semiconductor home page (<http://www.MitsubishiElectric.com/>).

- When using any or all of the information contained in these materials, including product data, diagrams, charts, programs, and algorithms, please be sure to evaluate all information as a total system before making a final decision on the applicability of the information and products. Mitsubishi Electric Corporation assumes no responsibility for any damage, liability or other loss resulting from the information contained herein.
- Mitsubishi Electric Corporation semiconductors are not designed or manufactured for use in a device or system that is used under circumstances in which human life is potentially at stake. Please contact Mitsubishi Electric Corporation or an authorized Mitsubishi Semiconductor product distributor when considering the use of a product contained herein for any specific purposes, such as apparatus or systems for transportation, vehicular, medical, aerospace, nuclear, or undersea repeater use.
- The prior written approval of Mitsubishi Electric Corporation is necessary to reprint or reproduce in whole or in part these materials.
- If these products or technologies are subject to the Japanese export control restrictions, they must be exported under a license from the Japanese government and cannot be imported into a country other than the approved destination.  
Any diversion or re-export contrary to the export control laws and regulations of Japan and/or the country of destination is prohibited.
- Please contact Mitsubishi Electric Corporation or an authorized Mitsubishi Semiconductor product distributor for further details on these materials or the products contained therein.