



# Low-Power, Slew-Rate-Limited RS-485/RS-422 Transceivers

## General Description

The MAX481, MAX483, MAX485, MAX487–MAX491, and MAX1487 are low-power transceivers for RS-485 and RS-422 communication. Each part contains one driver and one receiver. The MAX483, MAX487, MAX488, and MAX489 feature reduced slew-rate drivers that minimize EMI and reduce reflections caused by improperly terminated cables, thus allowing error-free data transmission up to 250kbps. The driver slew rates of the MAX481, MAX485, MAX490, MAX491, and MAX1487 are not limited, allowing them to transmit up to 2.5Mbps.

These transceivers draw between 120 $\mu$ A and 500 $\mu$ A of supply current when unloaded or fully loaded with disabled drivers. Additionally, the MAX481, MAX483, and MAX487 have a low-current shutdown mode in which they consume only 0.1 $\mu$ A. All parts operate from a single 5V supply.

Drivers are short-circuit current limited and are protected against excessive power dissipation by thermal shutdown circuitry that places the driver outputs into a high-impedance state. The receiver input has a fail-safe feature that guarantees a logic-high output if the input is open circuit.

The MAX487 and MAX1487 feature quarter-unit-load receiver input impedance, allowing up to 128 MAX487/MAX1487 transceivers on the bus. Full-duplex communications are obtained using the MAX488–MAX491, while the MAX481, MAX483, MAX485, MAX487, and MAX1487 are designed for half-duplex applications.

## Applications

Low-Power RS-485 Transceivers  
 Low-Power RS-422 Transceivers  
 Level Translators  
 Transceivers for EMI-Sensitive Applications  
 Industrial-Control Local Area Networks

## Features

- ◆ **In  $\mu$ MAX Package: Smallest 8-Pin SO**
- ◆ **Slew-Rate Limited for Error-Free Data Transmission (MAX483/487/488/489)**
- ◆ **0.1 $\mu$ A Low-Current Shutdown Mode (MAX481/483/487)**
- ◆ **Low Quiescent Current:**  
 120 $\mu$ A (MAX483/487/488/489)  
 230 $\mu$ A (MAX1487)  
 300 $\mu$ A (MAX481/485/490/491)
- ◆ **-7V to +12V Common-Mode Input Voltage Range**
- ◆ **Three-State Outputs**
- ◆ **30ns Propagation Delays, 5ns Skew (MAX481/485/490/491/1487)**
- ◆ **Full-Duplex and Half-Duplex Versions Available**
- ◆ **Operate from a Single 5V Supply**
- ◆ **Allows up to 128 Transceivers on the Bus (MAX487/MAX1487)**
- ◆ **Current-Limiting and Thermal Shutdown for Driver Overload Protection**

## Ordering Information

| PART      | TEMP. RANGE  | PIN-PACKAGE   |
|-----------|--------------|---------------|
| MAX481CPA | 0°C to +70°C | 8 Plastic DIP |
| MAX481CSA | 0°C to +70°C | 8 SO          |
| MAX481CUA | 0°C to +70°C | 8 $\mu$ MAX   |
| MAX481C/D | 0°C to +70°C | Dice*         |

Ordering Information continued at end of data sheet.

\* Contact factory for dice specifications.

## Selection Table

| PART NUMBER | HALF/FULL DUPLEX | DATA RATE (Mbps) | SLEW-RATE LIMITED | LOW-POWER SHUTDOWN | RECEIVER/ DRIVER ENABLE | QUIESCENT CURRENT ( $\mu$ A) | NUMBER OF TRANSMITTERS ON BUS | PIN COUNT |
|-------------|------------------|------------------|-------------------|--------------------|-------------------------|------------------------------|-------------------------------|-----------|
| MAX481      | Half             | 2.5              | No                | Yes                | Yes                     | 300                          | 32                            | 8         |
| MAX483      | Half             | 0.25             | Yes               | Yes                | Yes                     | 120                          | 32                            | 8         |
| MAX485      | Half             | 2.5              | No                | No                 | Yes                     | 300                          | 32                            | 8         |
| MAX487      | Half             | 0.25             | Yes               | Yes                | Yes                     | 120                          | 128                           | 8         |
| MAX488      | Full             | 0.25             | Yes               | No                 | No                      | 120                          | 32                            | 8         |
| MAX489      | Full             | 0.25             | Yes               | No                 | Yes                     | 120                          | 32                            | 14        |
| MAX490      | Full             | 2.5              | No                | No                 | No                      | 300                          | 32                            | 8         |
| MAX491      | Full             | 2.5              | No                | No                 | Yes                     | 300                          | 32                            | 14        |
| MAX1487     | Half             | 2.5              | No                | No                 | Yes                     | 230                          | 128                           | 8         |



Maxim Integrated Products 1

For free samples & the latest literature: <http://www.maxim-ic.com>, or phone 1-800-998-8800

MAX481/MAX483/MAX485/MAX487-MAX491/MAX1487

# Low-Power, Slew-Rate-Limited RS-485/RS-422 Transceivers

## ABSOLUTE MAXIMUM RATINGS

|   |                                   |  |                 |
|---|-----------------------------------|--|-----------------|
| Supply Voltage (V <sub>CC</sub> ).....                | 12V                               | 14-Pin SO (derate 8.33mW/°C above +70°C).....      | 667mW           |
| Control Input Voltage ( $\overline{RE}$ , DE).....    | -0.5V to (V <sub>CC</sub> + 0.5V) | 8-Pin $\mu$ MAX (derate 4.1mW/°C above +70°C)..... | 830mW           |
| Driver Input Voltage (DI).....                        | -0.5V to (V <sub>CC</sub> + 0.5V) | 8-Pin CERDIP (derate 8.00mW/°C above +70°C).....   | 640mW           |
| Driver Output Voltage (A, B).....                     | -8V to +12.5V                     | 14-Pin CERDIP (derate 9.09mW/°C above +70°C).....  | 727mW           |
| Receiver Input Voltage (A, B).....                    | -8V to +12.5V                     | Operating Temperature Ranges                       |                 |
| Receiver Output Voltage (RO).....                     | -0.5V to (V <sub>CC</sub> + 0.5V) | MAX4_ _C_ _/MAX1487C_ _A.....                      | 0°C to +70°C    |
| Continuous Power Dissipation (T <sub>A</sub> = +70°C) |                                   | MAX4_ _E_ _/MAX1487E_ _A.....                      | -40°C to +85°C  |
| 8-Pin Plastic DIP (derate 9.09mW/°C above +70°C) .... | 727mW                             | MAX4_ _MJ_ _/MAX1487MJA.....                       | -55°C to +125°C |
| 14-Pin Plastic DIP (derate 10.00mW/°C above +70°C) .. | 800mW                             | Storage Temperature Range.....                     | -65°C to +160°C |
| 8-Pin SO (derate 5.88mW/°C above +70°C).....          | 471mW                             | Lead Temperature (soldering, 10sec).....           | +300°C          |

Stresses beyond those listed under "Absolute Maximum Ratings" may cause permanent damage to the device. These are stress ratings only, and functional operation of the device at these or any other conditions beyond those indicated in the operational sections of the specifications is not implied. Exposure to absolute maximum rating conditions for extended periods may affect device reliability.

## DC ELECTRICAL CHARACTERISTICS

(V<sub>CC</sub> = 5V  $\pm$ 5%, T<sub>A</sub> = T<sub>MIN</sub> to T<sub>MAX</sub>, unless otherwise noted.) (Notes 1, 2)

| PARAMETER   | SYMBOL                   | CONDITIONS  | MIN                   | TYP | MAX     | UNITS      |
|---|--------------------------|---|-----------------------|-----|---------|------------|
| Differential Driver Output (no load)  | V <sub>OD1</sub>         |   |                       |     | 5       | V          |
| Differential Driver Output (with load)  | V <sub>OD2</sub>         | R = 50 $\Omega$ (RS-422)  | 2                     |     |         | V          |
|   |                          | R = 27 $\Omega$ (RS-485), Figure 4  | 1.5                   |     | 5       | V          |
| Change in Magnitude of Driver Differential Output Voltage for Complementary Output States | $\Delta$ V <sub>OD</sub> | R = 27 $\Omega$ or 50 $\Omega$ , Figure 4                                 |                       |     | 0.2     | V          |
| Driver Common-Mode Output Voltage   | V <sub>OC</sub>          | R = 27 $\Omega$ or 50 $\Omega$ , Figure 4                                 |                       |     | 3       | V          |
| Change in Magnitude of Driver Common-Mode Output Voltage for Complementary Output States  | $\Delta$ V <sub>OD</sub> | R = 27 $\Omega$ or 50 $\Omega$ , Figure 4                                 |                       |     | 0.2     | V          |
| Input High Voltage  | V <sub>IH</sub>          | DE, DI, $\overline{RE}$   | 2.0                   |     |         | V          |
| Input Low Voltage   | V <sub>IL</sub>          | DE, DI, $\overline{RE}$   |                       |     | 0.8     | V          |
| Input Current   | I <sub>IN1</sub>         | DE, DI, $\overline{RE}$   |                       |     | $\pm$ 2 | $\mu$ A    |
| Input Current (A, B)  | I <sub>IN2</sub>         | DE = 0V; V <sub>CC</sub> = 0V or 5.25V, all devices except MAX487/MAX1487 | V <sub>IN</sub> = 12V |     | 1.0     | mA         |
|   |                          |   | V <sub>IN</sub> = -7V |     | -0.8    |            |
|   |                          | MAX487/MAX1487, DE = 0V, V <sub>CC</sub> = 0V or 5.25V                    | V <sub>IN</sub> = 12V |     | 0.25    | mA         |
|   |                          |   | V <sub>IN</sub> = -7V |     | -0.2    |            |
| Receiver Differential Threshold Voltage   | V <sub>TH</sub>          | -7V $\leq$ V <sub>CM</sub> $\leq$ 12V                                     | -0.2                  |     | 0.2     | V          |
| Receiver Input Hysteresis   | $\Delta$ V <sub>TH</sub> | V <sub>CM</sub> = 0V  |                       | 70  |         | mV         |
| Receiver Output High Voltage  | V <sub>OH</sub>          | I <sub>O</sub> = -4mA, V <sub>ID</sub> = 200mV                            | 3.5                   |     |         | V          |
| Receiver Output Low Voltage   | V <sub>OL</sub>          | I <sub>O</sub> = 4mA, V <sub>ID</sub> = -200mV                            |                       |     | 0.4     | V          |
| Three-State (high impedance) Output Current at Receiver                                   | I <sub>OZR</sub>         | 0.4V $\leq$ V <sub>O</sub> $\leq$ 2.4V                                    |                       |     | $\pm$ 1 | $\mu$ A    |
| Receiver Input Resistance   | R <sub>IN</sub>          | -7V $\leq$ V <sub>CM</sub> $\leq$ 12V, all devices except MAX487/MAX1487  | 12                    |     |         | k $\Omega$ |
|   |                          | -7V $\leq$ V <sub>CM</sub> $\leq$ 12V, MAX487/MAX1487                     | 48                    |     |         | k $\Omega$ |

# Low-Power, Slew-Rate-Limited RS-485/RS-422 Transceivers

## DC ELECTRICAL CHARACTERISTICS (continued)

( $V_{CC} = 5V \pm 5\%$ ,  $T_A = T_{MIN}$  to  $T_{MAX}$ , unless otherwise noted.) (Notes 1, 2)

| PARAMETER  | SYMBOL     | CONDITIONS   | MIN           | TYP | MAX | UNITS   |
|--|------------|--|---------------|-----|-----|---------|
| No-Load Supply Current<br>(Note 3)                   | $I_{CC}$   | MAX488/MAX489,<br>DE, DI, $\overline{RE} = 0V$ or $V_{CC}$ |               | 120 | 250 | $\mu A$ |
|  |            | MAX490/MAX491,<br>DE, DI, $\overline{RE} = 0V$ or $V_{CC}$ |               | 300 | 500 |         |
|  |            | MAX481/MAX485,<br>$\overline{RE} = 0V$ or $V_{CC}$         | DE = $V_{CC}$ | 500 | 900 |         |
|  |            |  | DE = 0V       | 300 | 500 |         |
|  |            | MAX1487,<br>$\overline{RE} = 0V$ or $V_{CC}$               | DE = $V_{CC}$ | 300 | 500 |         |
|  |            |  | DE = 0V       | 230 | 400 |         |
| MAX483/MAX487,<br>$\overline{RE} = 0V$ or $V_{CC}$   | DE = 5V    | MAX483   | 350           | 650 |     |         |
|  |            | MAX487   | 250           | 400 |     |         |
|  |            | DE = 0V  | 120           | 250 |     |         |
| Supply Current in Shutdown                           | $I_{SHDN}$ | MAX481/483/487, DE = 0V, $\overline{RE} = V_{CC}$          |               | 0.1 | 10  | $\mu A$ |
| Driver Short-Circuit Current,<br>$V_O = \text{High}$ | $I_{OSD1}$ | $-7V \leq V_O \leq 12V$ (Note 4)                           | 35            |     | 250 | mA      |
| Driver Short-Circuit Current,<br>$V_O = \text{Low}$  | $I_{OSD2}$ | $-7V \leq V_O \leq 12V$ (Note 4)                           | 35            |     | 250 | mA      |
| Receiver Short-Circuit Current                       | $I_{OSR}$  | $0V \leq V_O \leq V_{CC}$                                  | 7             |     | 95  | mA      |

## SWITCHING CHARACTERISTICS—MAX481/MAX485, MAX490/MAX491, MAX1487

( $V_{CC} = 5V \pm 5\%$ ,  $T_A = T_{MIN}$  to  $T_{MAX}$ , unless otherwise noted.) (Notes 1, 2)

| PARAMETER                       | SYMBOL             | CONDITIONS  | MIN                     | TYP | MAX | UNITS |    |
|---------------------------------|--------------------|---|-------------------------|-----|-----|-------|----|
| Driver Input to Output          | $t_{PLH}$          | Figures 6 and 8, $R_{DIFF} = 54\Omega$ ,<br>$C_{L1} = C_{L2} = 100pF$     | 10                      | 30  | 60  | ns    |    |
|                                 | $t_{PHL}$          |   | 10                      | 30  | 60  |       |    |
| Driver Output Skew to Output    | $t_{SKEW}$         | Figures 6 and 8, $R_{DIFF} = 54\Omega$ , $C_{L1} = C_{L2} = 100pF$        |                         | 5   | 10  | ns    |    |
| Driver Rise or Fall Time        | $t_R, t_F$         | Figures 6 and 8,<br>$R_{DIFF} = 54\Omega$ ,<br>$C_{L1} = C_{L2} = 100pF$  | MAX481, MAX485, MAX1487 | 3   | 15  | 40    | ns |
|                                 |                    |   | MAX490C/E, MAX491C/E    | 5   | 15  | 25    |    |
|                                 |                    |   | MAX490M, MAX491M        | 3   | 15  | 40    |    |
| Driver Enable to Output High    | $t_{ZH}$           | Figures 7 and 9, $C_L = 100pF$ , S2 closed                                |                         | 40  | 70  | ns    |    |
| Driver Enable to Output Low     | $t_{ZL}$           | Figures 7 and 9, $C_L = 100pF$ , S1 closed                                |                         | 40  | 70  | ns    |    |
| Driver Disable Time from Low    | $t_{LZ}$           | Figures 7 and 9, $C_L = 15pF$ , S1 closed                                 |                         | 40  | 70  | ns    |    |
| Driver Disable Time from High   | $t_{HZ}$           | Figures 7 and 9, $C_L = 15pF$ , S2 closed                                 |                         | 40  | 70  | ns    |    |
| Receiver Input to Output        | $t_{PLH}, t_{PHL}$ | Figures 6 and 10,<br>$R_{DIFF} = 54\Omega$ ,<br>$C_{L1} = C_{L2} = 100pF$ | MAX481, MAX485, MAX1487 | 20  | 90  | 200   | ns |
|                                 |                    |   | MAX490C/E, MAX491C/E    | 20  | 90  | 150   |    |
|                                 |                    |   | MAX490M, MAX491M        | 20  | 90  | 200   |    |
| Differential Receiver Skew      | $t_{SKD}$          | Figures 6 and 10, $R_{DIFF} = 54\Omega$ ,<br>$C_{L1} = C_{L2} = 100pF$    |                         | 13  |     | ns    |    |
| Receiver Enable to Output Low   | $t_{ZL}$           | Figures 5 and 11, $C_{RL} = 15pF$ , S1 closed                             |                         | 20  | 50  | ns    |    |
| Receiver Enable to Output High  | $t_{ZH}$           | Figures 5 and 11, $C_{RL} = 15pF$ , S2 closed                             |                         | 20  | 50  | ns    |    |
| Receiver Disable Time from Low  | $t_{LZ}$           | Figures 5 and 11, $C_{RL} = 15pF$ , S1 closed                             |                         | 20  | 50  | ns    |    |
| Receiver Disable Time from High | $t_{HZ}$           | Figures 5 and 11, $C_{RL} = 15pF$ , S2 closed                             |                         | 20  | 50  | ns    |    |
| Maximum Data Rate               | $f_{MAX}$          |   | 2.5                     |     |     | Mbps  |    |
| Time to Shutdown                | $t_{SHDN}$         | MAX481 (Note 5)   | 50                      | 200 | 600 | ns    |    |

MAX481/MAX483/MAX485/MAX487-MAX491/MAX1487

# Low-Power, Slew-Rate-Limited RS-485/RS-422 Transceivers

MAX481/MAX483/MAX485/MAX487-MAX489/MAX491/MAX1487

## SWITCHING CHARACTERISTICS—MAX481/MAX485, MAX490/MAX491, MAX1487 (continued)

(V<sub>CC</sub> = 5V ±5%, T<sub>A</sub> = T<sub>MIN</sub> to T<sub>MAX</sub>, unless otherwise noted.) (Notes 1, 2)

| PARAMETER   | SYMBOL                | CONDITIONS   | MIN | TYP | MAX  | UNITS |
|---|-----------------------|--|-----|-----|------|-------|
| Driver Enable from Shutdown to Output High (MAX481)   | t <sub>ZH(SHDN)</sub> | Figures 7 and 9, C <sub>L</sub> = 100pF, S2 closed             |     | 40  | 100  | ns    |
| Driver Enable from Shutdown to Output Low (MAX481)    | t <sub>ZL(SHDN)</sub> | Figures 7 and 9, C <sub>L</sub> = 100pF, S1 closed             |     | 40  | 100  | ns    |
| Receiver Enable from Shutdown to Output High (MAX481) | t <sub>ZH(SHDN)</sub> | Figures 5 and 11, C <sub>L</sub> = 15pF, S2 closed, A - B = 2V |     | 300 | 1000 | ns    |
| Receiver Enable from Shutdown to Output Low (MAX481)  | t <sub>ZL(SHDN)</sub> | Figures 5 and 11, C <sub>L</sub> = 15pF, S1 closed, B - A = 2V |     | 300 | 1000 | ns    |

## SWITCHING CHARACTERISTICS—MAX483, MAX487/MAX488/MAX489

(V<sub>CC</sub> = 5V ±5%, T<sub>A</sub> = T<sub>MIN</sub> to T<sub>MAX</sub>, unless otherwise noted.) (Notes 1, 2)

| PARAMETER  | SYMBOL                          | CONDITIONS   | MIN | TYP | MAX  | UNITS |
|--|---------------------------------|--|-----|-----|------|-------|
| Driver Input to Output   | t <sub>PLH</sub>                | Figures 6 and 8, R <sub>DIFF</sub> = 54Ω, C <sub>L1</sub> = C <sub>L2</sub> = 100pF  | 250 | 800 | 2000 | ns    |
|  | t <sub>PHL</sub>                |  | 250 | 800 | 2000 |       |
| Driver Output Skew to Output                                     | t <sub>SKEW</sub>               | Figures 6 and 8, R <sub>DIFF</sub> = 54Ω, C <sub>L1</sub> = C <sub>L2</sub> = 100pF  |     | 100 | 800  | ns    |
| Driver Rise or Fall Time   | t <sub>R</sub> , t <sub>F</sub> | Figures 6 and 8, R <sub>DIFF</sub> = 54Ω, C <sub>L1</sub> = C <sub>L2</sub> = 100pF  | 250 |     | 2000 | ns    |
| Driver Enable to Output High                                     | t <sub>ZH</sub>                 | Figures 7 and 9, C <sub>L</sub> = 100pF, S2 closed                                   | 250 |     | 2000 | ns    |
| Driver Enable to Output Low                                      | t <sub>ZL</sub>                 | Figures 7 and 9, C <sub>L</sub> = 100pF, S1 closed                                   | 250 |     | 2000 | ns    |
| Driver Disable Time from Low                                     | t <sub>LZ</sub>                 | Figures 7 and 9, C <sub>L</sub> = 15pF, S1 closed                                    | 300 |     | 3000 | ns    |
| Driver Disable Time from High                                    | t <sub>HZ</sub>                 | Figures 7 and 9, C <sub>L</sub> = 15pF, S2 closed                                    | 300 |     | 3000 | ns    |
| Receiver Input to Output   | t <sub>PLH</sub>                | Figures 6 and 10, R <sub>DIFF</sub> = 54Ω, C <sub>L1</sub> = C <sub>L2</sub> = 100pF | 250 |     | 2000 | ns    |
|  | t <sub>PHL</sub>                |  | 250 |     | 2000 |       |
| t <sub>PLH</sub> - t <sub>PHL</sub>   Differential Receiver Skew | t <sub>SKD</sub>                | Figures 6 and 10, R <sub>DIFF</sub> = 54Ω, C <sub>L1</sub> = C <sub>L2</sub> = 100pF |     | 100 |      | ns    |
| Receiver Enable to Output Low                                    | t <sub>ZL</sub>                 | Figures 5 and 11, C <sub>R</sub> L = 15pF, S1 closed                                 |     | 20  | 50   | ns    |
| Receiver Enable to Output High                                   | t <sub>ZH</sub>                 | Figures 5 and 11, C <sub>R</sub> L = 15pF, S2 closed                                 |     | 20  | 50   | ns    |
| Receiver Disable Time from Low                                   | t <sub>LZ</sub>                 | Figures 5 and 11, C <sub>R</sub> L = 15pF, S1 closed                                 |     | 20  | 50   | ns    |
| Receiver Disable Time from High                                  | t <sub>HZ</sub>                 | Figures 5 and 11, C <sub>R</sub> L = 15pF, S2 closed                                 |     | 20  | 50   | ns    |
| Maximum Data Rate  | f <sub>MAX</sub>                | t <sub>PLH</sub> , t <sub>PHL</sub> < 50% of data period                             | 250 |     |      | kbits |
| Time to Shutdown   | t <sub>SHDN</sub>               | MAX483/MAX487 (Note 5)   | 50  | 200 | 600  | ns    |
| Driver Enable from Shutdown to Output High                       | t <sub>ZH(SHDN)</sub>           | MAX483/MAX487, Figures 7 and 9, C <sub>L</sub> = 100pF, S2 closed                    |     |     | 2000 | ns    |
| Driver Enable from Shutdown to Output Low                        | t <sub>ZL(SHDN)</sub>           | MAX483/MAX487, Figures 7 and 9, C <sub>L</sub> = 100pF, S1 closed                    |     |     | 2000 | ns    |
| Receiver Enable from Shutdown to Output High                     | t <sub>ZH(SHDN)</sub>           | MAX483/MAX487, Figures 5 and 11, C <sub>L</sub> = 15pF, S2 closed                    |     |     | 2500 | ns    |
| Receiver Enable from Shutdown to Output Low                      | t <sub>ZL(SHDN)</sub>           | MAX483/MAX487, Figures 5 and 11, C <sub>L</sub> = 15pF, S1 closed                    |     |     | 2500 | ns    |

# Low-Power, Slew-Rate-Limited RS-485/RS-422 Transceivers

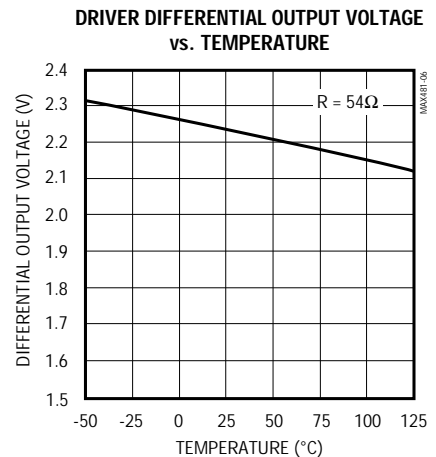
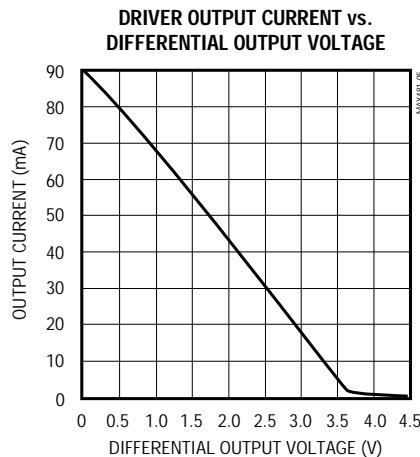
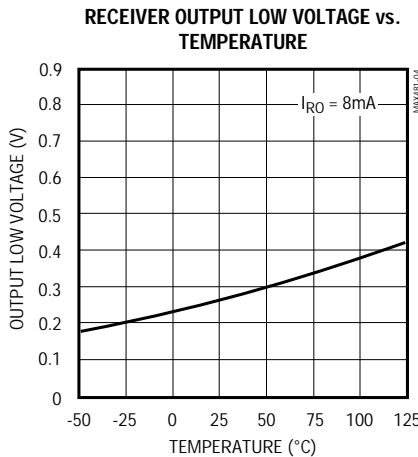
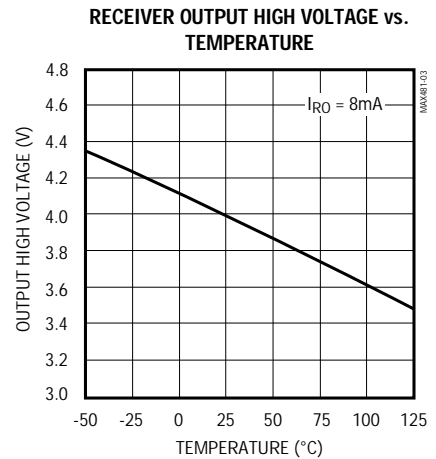
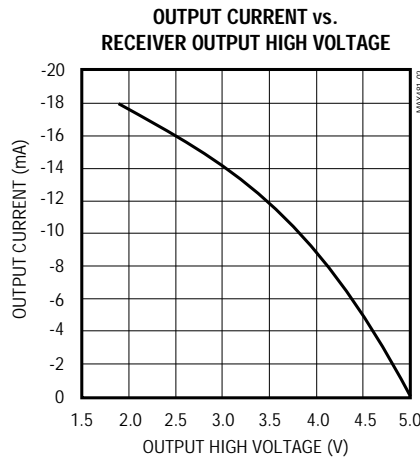
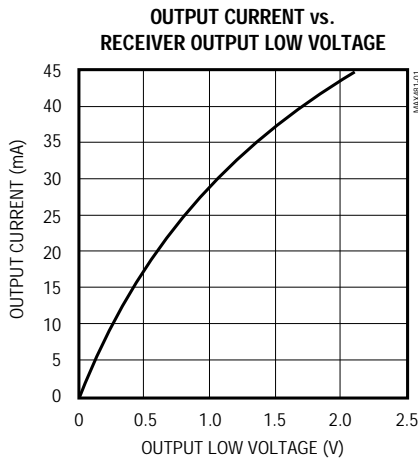
MAX481/MAX483/MAX485/MAX487-MAX491/MAX1487

## NOTES FOR ELECTRICAL/SWITCHING CHARACTERISTICS

- Note 1:** All currents into device pins are positive; all currents out of device pins are negative. All voltages are referenced to device ground unless otherwise specified.
- Note 2:** All typical specifications are given for  $V_{CC} = 5V$  and  $T_A = +25^\circ C$ .
- Note 3:** Supply current specification is valid for loaded transmitters when  $DE = 0V$ .
- Note 4:** Applies to peak current. See *Typical Operating Characteristics*.
- Note 5:** The MAX481/MAX483/MAX487 are put into shutdown by bringing  $\overline{RE}$  high and  $DE$  low. If the inputs are in this state for less than 50ns, the parts are guaranteed not to enter shutdown. If the inputs are in this state for at least 600ns, the parts are guaranteed to have entered shutdown. See *Low-Power Shutdown Mode* section.

### Typical Operating Characteristics

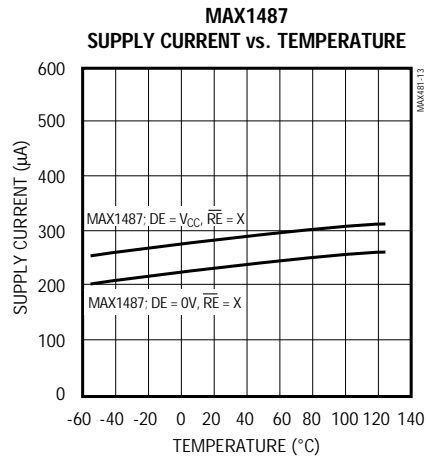
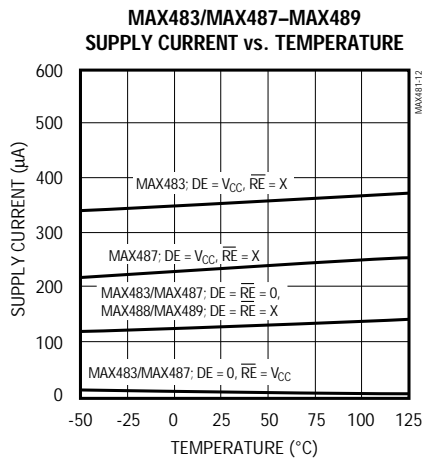
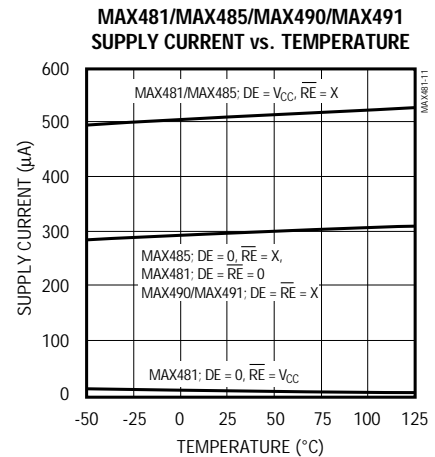
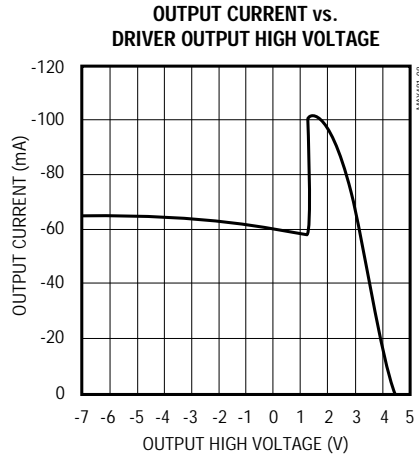
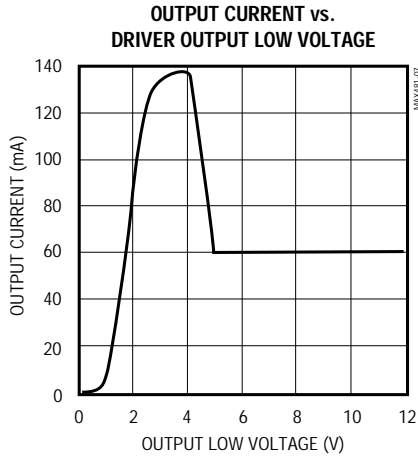
( $V_{CC} = 5V$ ,  $T_A = +25^\circ C$ , unless otherwise noted.)



# Low-Power, Slew-Rate-Limited RS-485/RS-422 Transceivers

## Typical Operating Characteristics (continued)

( $V_{CC} = 5V$ ,  $T_A = +25^\circ C$ , unless otherwise noted.)



# Low-Power, Slew-Rate-Limited RS-485/RS-422 Transceivers

## Pin Description

| PIN   |      |                   |      |                   | NAME            | FUNCTION   |
|---|------|-------------------|------|-------------------|-----------------|--|
| MAX481/MAX483/<br>MAX485/MAX487/<br>MAX1487 |      | MAX488/<br>MAX490 |      | MAX489/<br>MAX491 |                 |  |
| DIP/SO                                      | μMAX | DIP/SO            | μMAX | DIP/SO            |                 |  |
| 1   | 3    | 2                 | 4    | 2                 | RO              | Receiver Output: If A > B by 200mV, RO will be high; If A < B by 200mV, RO will be low.  |
| 2   | 4    | —                 | —    | 3                 | $\overline{RE}$ | Receiver Output Enable. RO is enabled when $\overline{RE}$ is low; RO is high impedance when $\overline{RE}$ is high.  |
| 3   | 5    | —                 | —    | 4                 | DE              | Driver Output Enable. The driver outputs, Y and Z, are enabled by bringing DE high. They are high impedance when DE is low. If the driver outputs are enabled, the parts function as line drivers. While they are high impedance, they function as line receivers if $\overline{RE}$ is low. |
| 4   | 6    | 3                 | 5    | 5                 | DI              | Driver Input. A low on DI forces output Y low and output Z high. Similarly, a high on DI forces output Y high and output Z low.  |
| 5   | 7    | 4                 | 6    | 6, 7              | GND             | Ground   |
| —   | —    | 5                 | 7    | 9                 | Y               | Noninverting Driver Output   |
| —   | —    | 6                 | 8    | 10                | Z               | Inverting Driver Output  |
| 6   | 8    | —                 | —    | —                 | A               | Noninverting Receiver Input and Noninverting Driver Output   |
| —   | —    | 8                 | 2    | 12                | A               | Noninverting Receiver Input  |
| 7   | 1    | —                 | —    | —                 | B               | Inverting Receiver Input and Inverting Driver Output   |
| —   | —    | 7                 | 1    | 11                | B               | Inverting Receiver Input   |
| 8   | 2    | 1                 | 3    | 14                | V <sub>CC</sub> | Positive Supply: 4.75V ≤ V <sub>CC</sub> ≤ 5.25V   |
| —   | —    | —                 | —    | 1, 8, 13          | N.C.            | No Connect—not internally connected  |

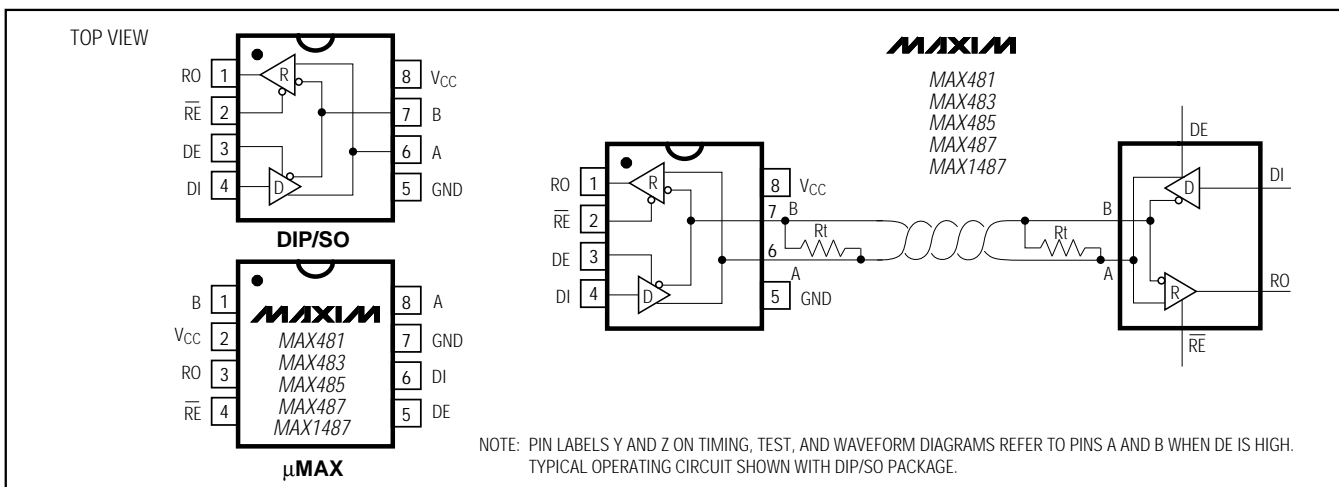


Figure 1. MAX481/MAX483/MAX485/MAX487/MAX1487 Pin Configuration and Typical Operating Circuit

# Low-Power, Slew-Rate-Limited RS-485/RS-422 Transceivers

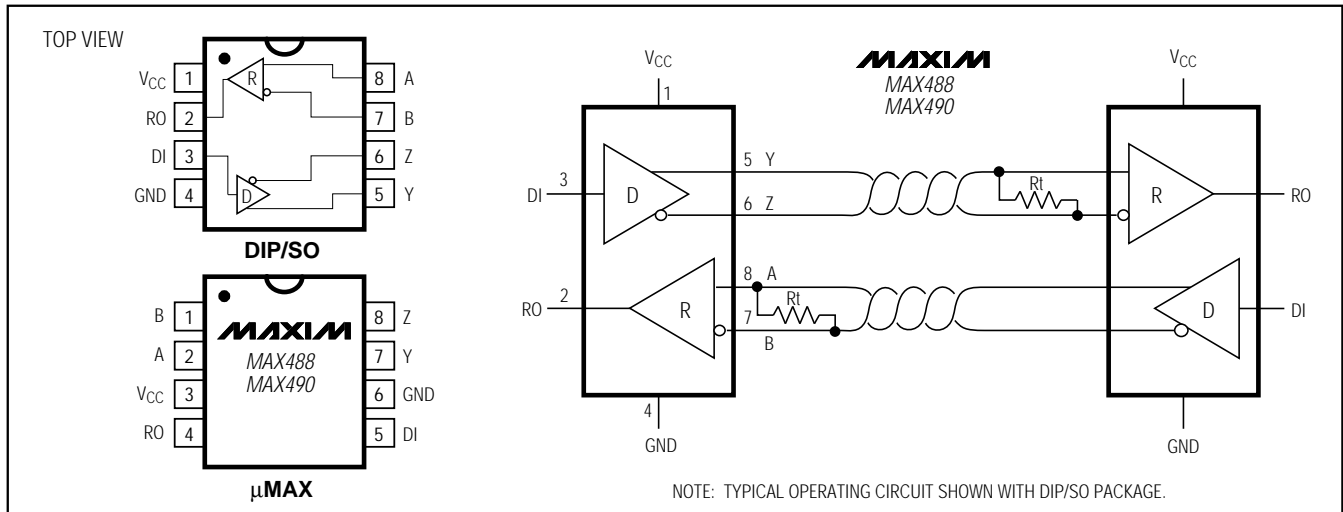


Figure 2. MAX488/MAX490 Pin Configuration and Typical Operating Circuit

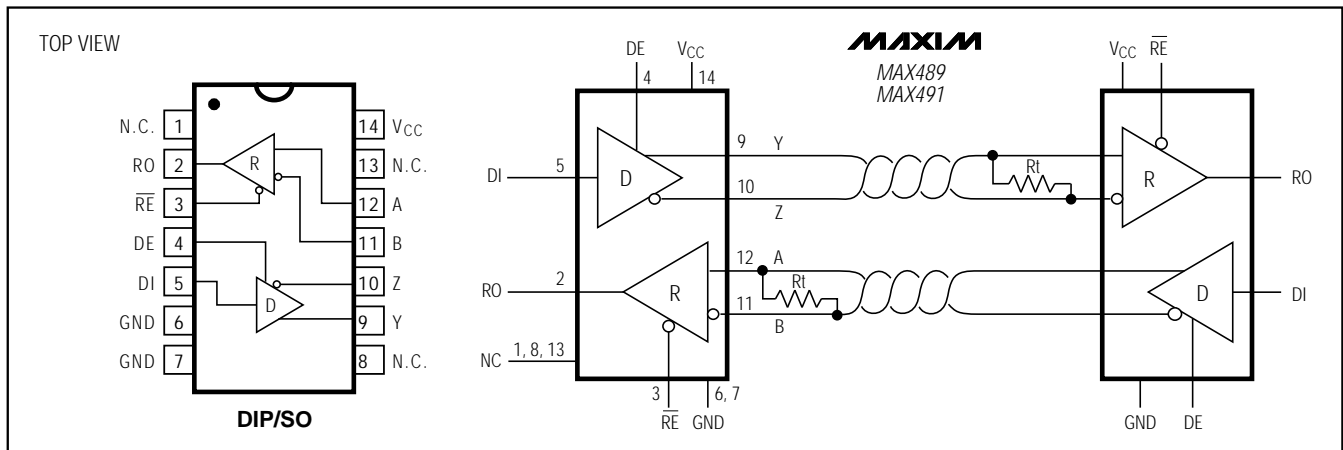


Figure 3. MAX489/MAX491 Pin Configuration and Typical Operating Circuit

## Applications Information

The MAX481/MAX483/MAX485/MAX487-MAX491 and MAX1487 are low-power transceivers for RS-485 and RS-422 communications. The MAX481, MAX485, MAX490, MAX491, and MAX1487 can transmit and receive at data rates up to 2.5Mbps, while the MAX483, MAX487, MAX488, and MAX489 are specified for data rates up to 250kbps. The MAX488-MAX491 are full-duplex transceivers while the MAX481, MAX483, MAX485, MAX487, and MAX1487 are half-duplex. In addition, Driver Enable (DE) and Receiver Enable ( $\overline{RE}$ ) pins are included on the MAX481, MAX483, MAX485, MAX487, MAX489, MAX491, and MAX1487. When disabled, the driver and receiver outputs are high impedance.

## MAX487/MAX1487: 128 Transceivers on the Bus

The 48k $\Omega$ ,  $1/4$ -unit-load receiver input impedance of the MAX487 and MAX1487 allows up to 128 transceivers on a bus, compared to the 1-unit load (12k $\Omega$  input impedance) of standard RS-485 drivers (32 transceivers maximum). Any combination of MAX487/MAX1487 and other RS-485 transceivers with a total of 32 unit loads or less can be put on the bus. The MAX481/MAX483/MAX485 and MAX488-MAX491 have standard 12k $\Omega$  Receiver Input impedance.



# Low-Power, Slew-Rate-Limited RS-485/RS-422 Transceivers

## Test Circuits

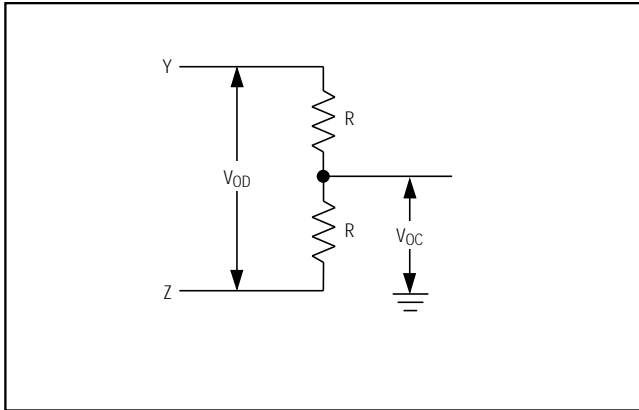


Figure 4. Driver DC Test Load

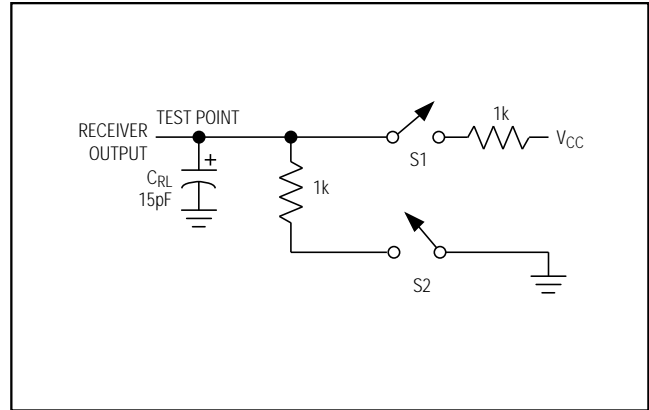


Figure 5. Receiver Timing Test Load

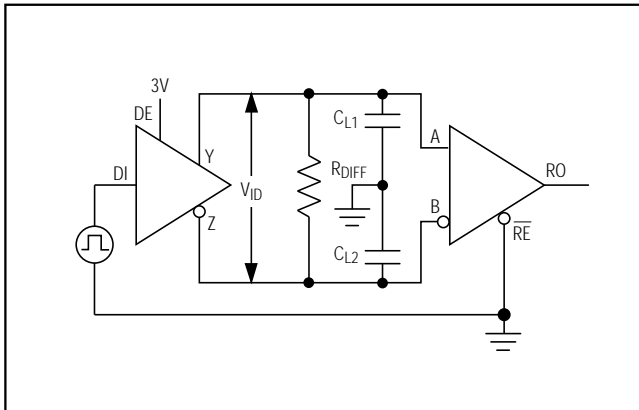


Figure 6. Driver/Receiver Timing Test Circuit

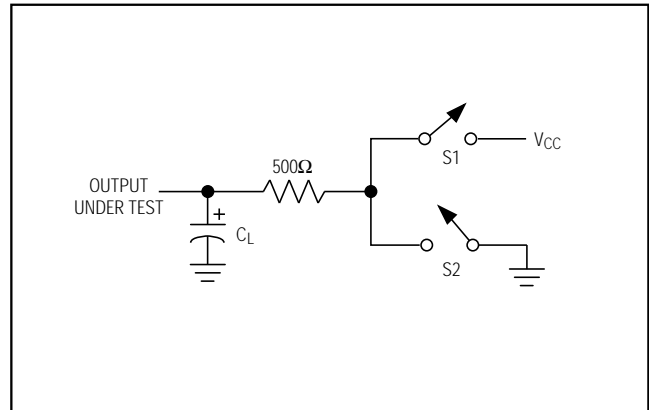


Figure 7. Driver Timing Test Load

### MAX483/MAX487/MAX488/MAX489:

#### Reduced EMI and Reflections

The MAX483 and MAX487–MAX489 are slew-rate limited, minimizing EMI and reducing reflections caused by improperly terminated cables. Figure 12 shows the driver output waveform and its Fourier analysis of a 150kHz signal transmitted by a MAX481, MAX485, MAX490, MAX491, or MAX1487. High-frequency har-

monics with large amplitudes are evident. Figure 13 shows the same information displayed for a MAX483, MAX487, MAX488, or MAX489 transmitting under the same conditions. Figure 13's high-frequency harmonics have much lower amplitudes, and the potential for EMI is significantly reduced.

# Low-Power, Slew-Rate-Limited RS-485/RS-422 Transceivers

## Switching Waveforms

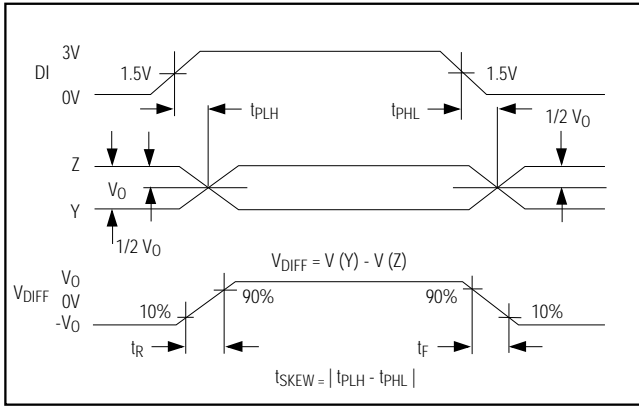


Figure 8. Driver Propagation Delays

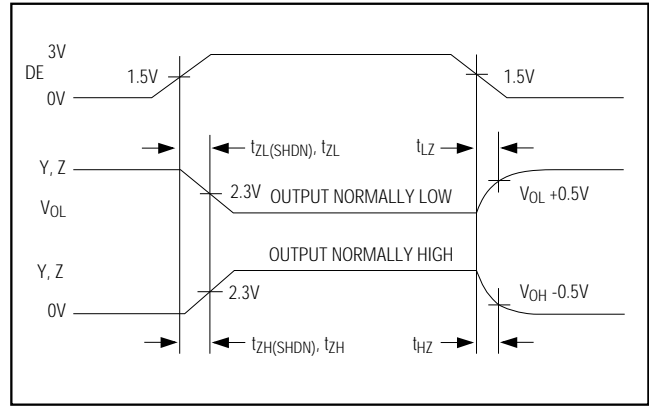


Figure 9. Driver Enable and Disable Times (except MAX488 and MAX490)

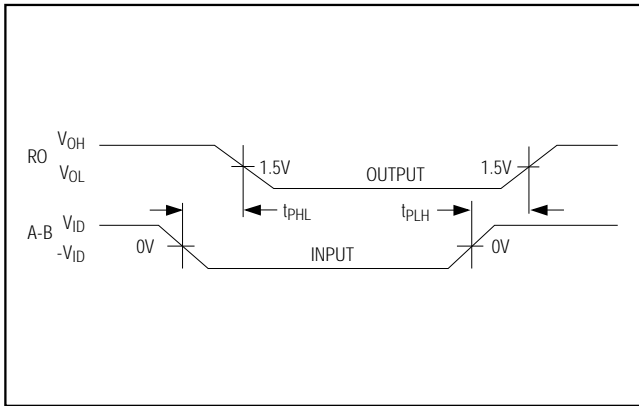


Figure 10. Receiver Propagation Delays

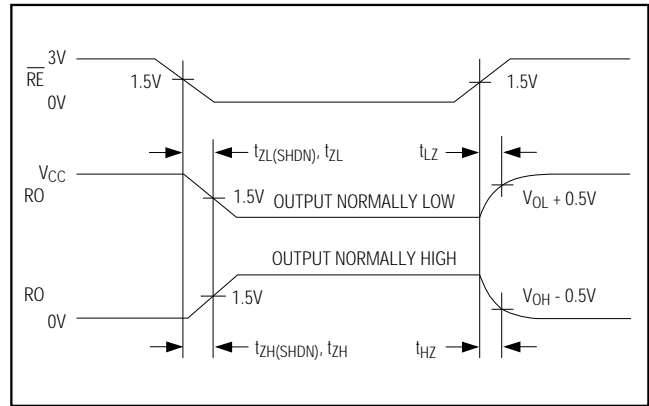


Figure 11. Receiver Enable and Disable Times (except MAX488 and MAX490)

## Function Tables (MAX481/MAX483/MAX485/MAX487/MAX1487)

**Table 1. Transmitting**

| INPUTS          |    |    | OUTPUTS |         |
|-----------------|----|----|---------|---------|
| $\overline{RE}$ | DE | DI | Z       | Y       |
| X               | 1  | 1  | 0       | 1       |
| X               | 1  | 0  | 1       | 0       |
| 0               | 0  | X  | High-Z  | High-Z  |
| 1               | 0  | X  | High-Z* | High-Z* |

X = Don't care  
 High-Z = High impedance  
 \* Shutdown mode for MAX481/MAX483/MAX487

**Table 2. Receiving**

| INPUTS          |    |              | OUTPUT  |
|-----------------|----|--------------|---------|
| $\overline{RE}$ | DE | A-B          | RO      |
| 0               | 0  | $\geq +0.2V$ | 1       |
| 0               | 0  | $\leq -0.2V$ | 0       |
| 0               | 0  | Inputs open  | 1       |
| 1               | 0  | X            | High-Z* |

X = Don't care  
 High-Z = High impedance  
 \* Shutdown mode for MAX481/MAX483/MAX487

# Low-Power, Slew-Rate-Limited RS-485/RS-422 Transceivers

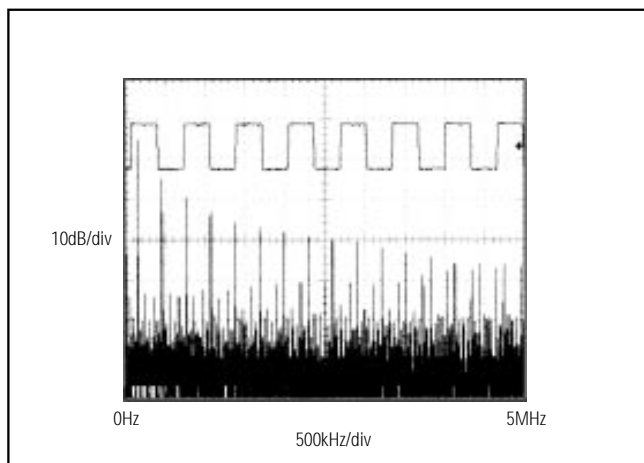


Figure 12. Driver Output Waveform and FFT Plot of MAX481/MAX485/MAX490/MAX491/MAX1487 Transmitting a 150kHz Signal

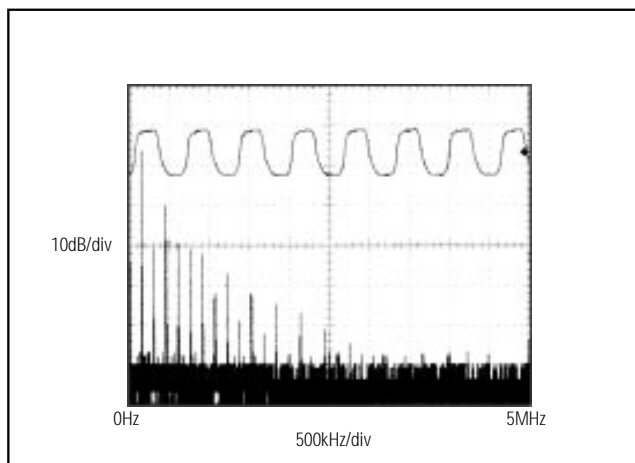


Figure 13. Driver Output Waveform and FFT Plot of MAX483/MAX487-MAX489 Transmitting a 150kHz Signal

## Low-Power Shutdown Mode (MAX481/MAX483/MAX487)

A low-power shutdown mode is initiated by bringing both  $\overline{RE}$  high and DE low. The devices will not shut down unless both the driver and receiver are disabled. In shutdown, the devices typically draw only 0.1 $\mu$ A of supply current.

$\overline{RE}$  and DE may be driven simultaneously; the parts are guaranteed not to enter shutdown if  $\overline{RE}$  is high and DE is low for less than 50ns. If the inputs are in this state for at least 600ns, the parts are guaranteed to enter shutdown.

For the MAX481, MAX483, and MAX487, the  $t_{ZH}$  and  $t_{ZL}$  enable times assume the part was not in the low-power shutdown state (the MAX485/MAX488-MAX491 and MAX1487 can not be shut down). The  $t_{ZH}(SHDN)$  and  $t_{ZL}(SHDN)$  enable times assume the parts were shut down (see *Electrical Characteristics*).

It takes the drivers and receivers longer to become enabled from the low-power shutdown state ( $t_{ZH}(SHDN)$ ,  $t_{ZL}(SHDN)$ ) than from the operating mode ( $t_{ZH}$ ,  $t_{ZL}$ ). (The parts are in operating mode if the  $\overline{RE}$ , DE inputs equal a logical 0,1 or 1,1 or 0, 0.)

## Driver Output Protection

Excessive output current and power dissipation caused by faults or by bus contention are prevented by two mechanisms. A foldback current limit on the output stage provides immediate protection against short circuits over the whole common-mode voltage range (see *Typical Operating Characteristics*). In addition, a thermal shutdown circuit forces the driver outputs into a high-impedance state if the die temperature rises excessively.

## Propagation Delay

Many digital encoding schemes depend on the difference between the driver and receiver propagation delay times. Typical propagation delays are shown in Figures 15-18 using Figure 14's test circuit.

The difference in receiver delay times,  $|t_{PLH} - t_{PHL}|$ , is typically under 13ns for the MAX481, MAX485, MAX490, MAX491, and MAX1487 and is typically less than 100ns for the MAX483 and MAX487-MAX489.

The driver skew times are typically 5ns (10ns max) for the MAX481, MAX485, MAX490, MAX491, and MAX1487, and are typically 100ns (800ns max) for the MAX483 and MAX487-MAX489.

# Low-Power, Slew-Rate-Limited RS-485/RS-422 Transceivers

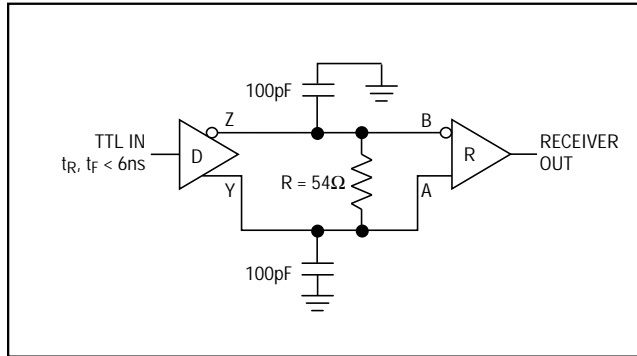


Figure 14. Receiver Propagation Delay Test Circuit

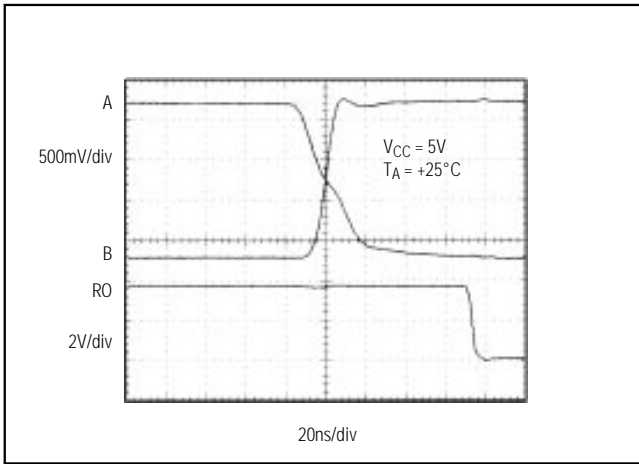


Figure 15. MAX481/MAX485/MAX490/MAX491/MAX1487 Receiver  $t_{PHL}$

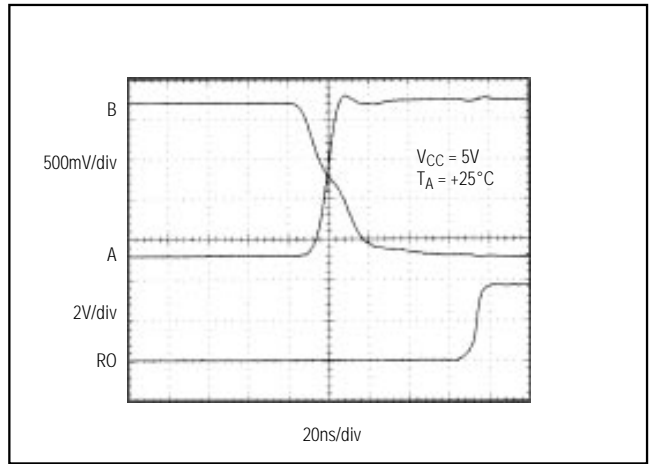


Figure 16. MAX481/MAX485/MAX490/MAX491/MAX1487 Receiver  $t_{PLH}$

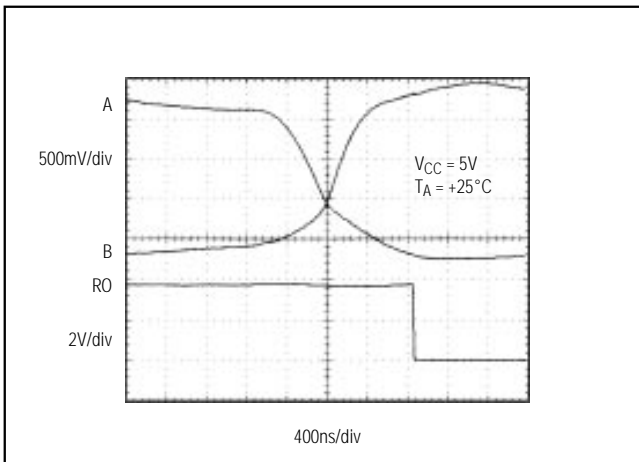


Figure 17. MAX483, MAX487-MAX489 Receiver  $t_{PHL}$

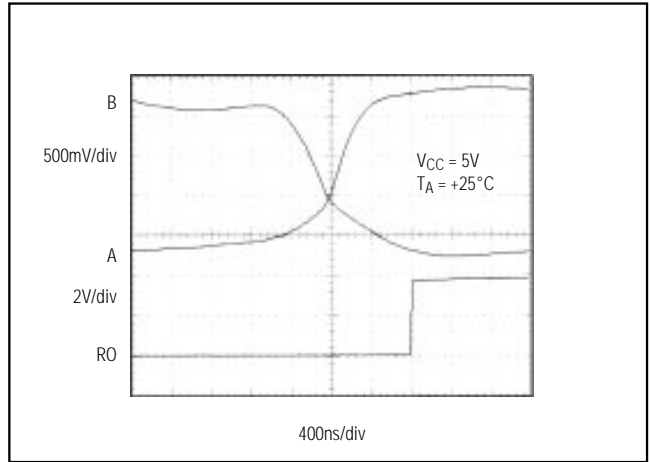


Figure 18. MAX483, MAX487-MAX489 Receiver  $t_{PLH}$

# Low-Power, Slew-Rate-Limited RS-485/RS-422 Transceivers

## Line Length vs. Data Rate

The RS-485/RS-422 standard covers line lengths up to 4000 feet. For line lengths greater than 4000 feet, see Figure 23.

Figures 19 and 20 show the system differential voltage for the parts driving 4000 feet of 26AWG twisted-pair wire at 110kHz into 120Ω loads.

## Typical Applications

The MAX481, MAX483, MAX485, MAX487–MAX491, and MAX1487 transceivers are designed for bidirectional data communications on multipoint bus transmission lines.

Figures 21 and 22 show typical network applications circuits. These parts can also be used as line repeaters, with cable lengths longer than 4000 feet, as shown in Figure 23.

To minimize reflections, the line should be terminated at both ends in its characteristic impedance, and stub lengths off the main line should be kept as short as possible. The slew-rate-limited MAX483 and MAX487–MAX489 are more tolerant of imperfect termination.

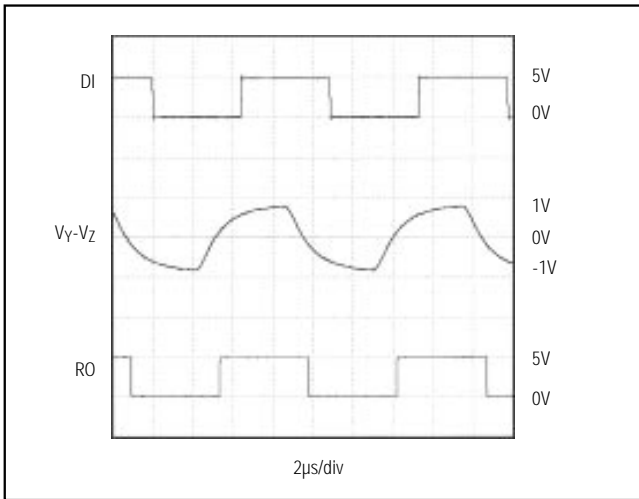


Figure 19. MAX481/MAX485/MAX490/MAX491/MAX1487 System Differential Voltage at 110kHz Driving 4000ft of Cable

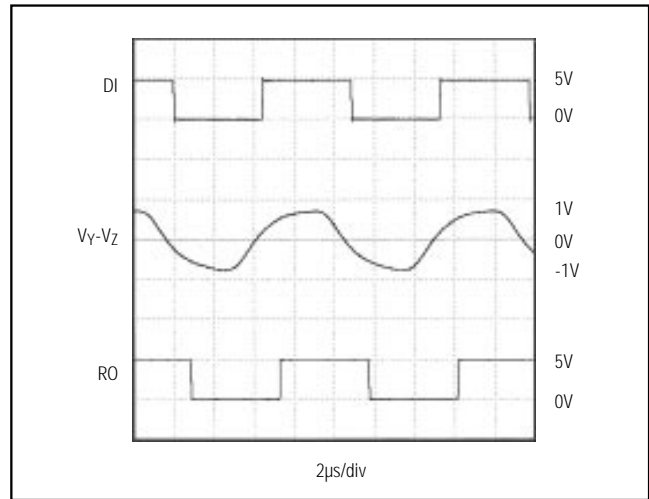


Figure 20. MAX483, MAX487–MAX489 System Differential Voltage at 110kHz Driving 4000ft of Cable

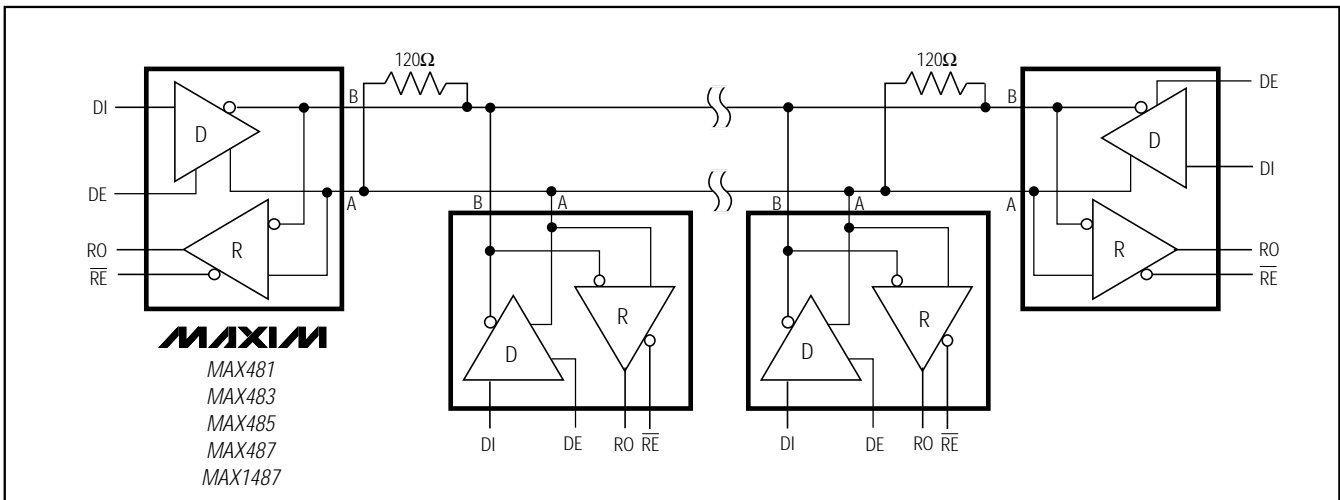


Figure 21. MAX481/MAX483/MAX485/MAX487/MAX1487 Typical Half-Duplex RS-485 Network

MAX481/MAX483/MAX485/MAX487–MAX491/MAX1487

# Low-Power, Slew-Rate-Limited RS-485/RS-422 Transceivers

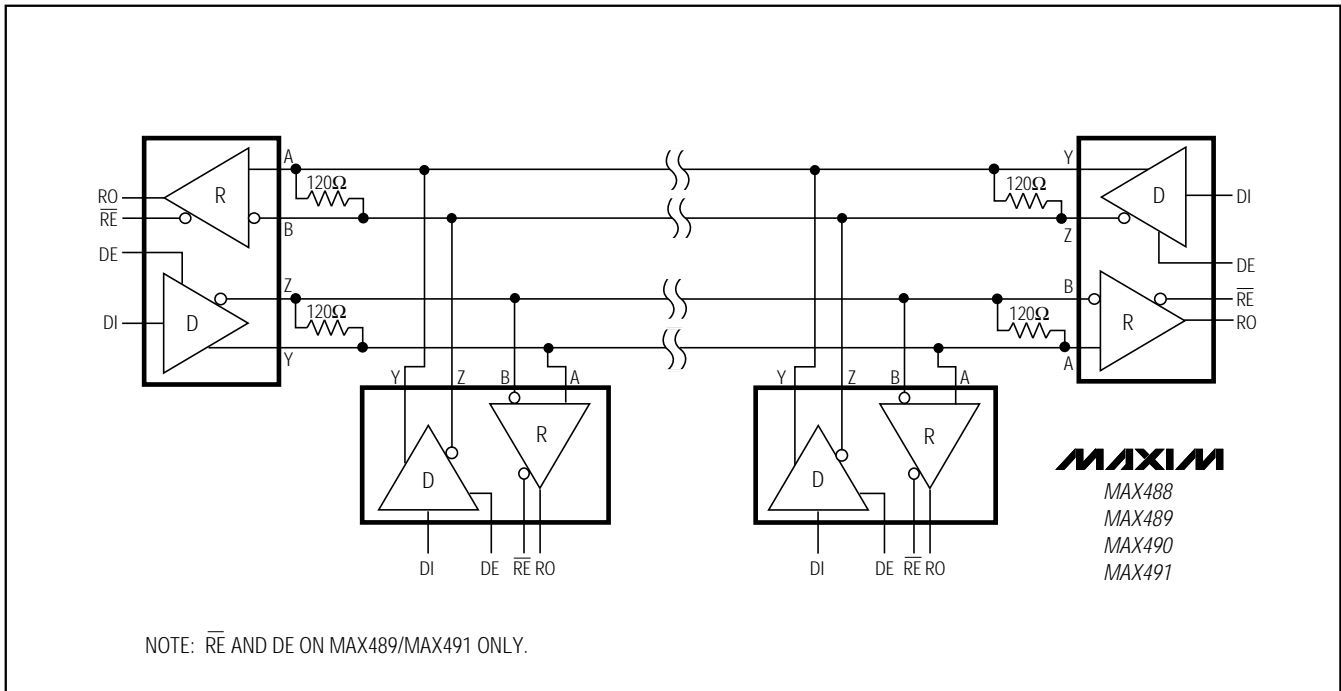


Figure 22. MAX488-MAX491 Full-Duplex RS-485 Network

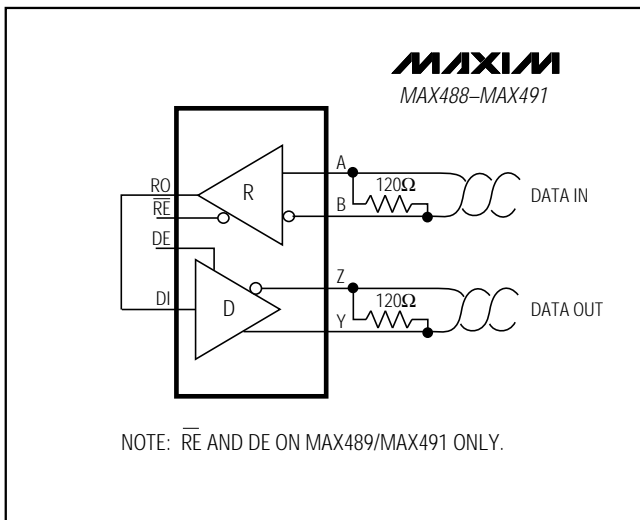


Figure 23. Line Repeater for MAX488-MAX491

For isolated RS-485 applications, see the MAX253 and MAX1480 data sheets.

*Isolated RS-485*

# Low-Power, Slew-Rate-Limited RS-485/RS-422 Transceivers

## Ordering Information (continued)

| PART              | TEMP. RANGE     | PIN-PACKAGE    |
|-------------------|-----------------|----------------|
| MAX481EPA         | -40°C to +85°C  | 8 Plastic DIP  |
| MAX481ESA         | -40°C to +85°C  | 8 SO           |
| MAX481MJA         | -55°C to +125°C | 8 CERDIP       |
| <b>MAX483</b> CPA | 0°C to +70°C    | 8 Plastic DIP  |
| MAX483CSA         | 0°C to +70°C    | 8 SO           |
| MAX483CUA         | 0°C to +70°C    | 8 μMAX         |
| MAX483C/D         | 0°C to +70°C    | Dice*          |
| MAX483EPA         | -40°C to +85°C  | 8 Plastic DIP  |
| MAX483ESA         | -40°C to +85°C  | 8 SO           |
| MAX483MJA         | -55°C to +125°C | 8 CERDIP       |
| <b>MAX485</b> CPA | 0°C to +70°C    | 8 Plastic DIP  |
| MAX485CSA         | 0°C to +70°C    | 8 SO           |
| MAX485CUA         | 0°C to +70°C    | 8 μMAX         |
| MAX485C/D         | 0°C to +70°C    | Dice*          |
| MAX485EPA         | -40°C to +85°C  | 8 Plastic DIP  |
| MAX485ESA         | -40°C to +85°C  | 8 SO           |
| MAX485MJA         | -55°C to +125°C | 8 CERDIP       |
| <b>MAX487</b> CPA | 0°C to +70°C    | 8 Plastic DIP  |
| MAX487CSA         | 0°C to +70°C    | 8 SO           |
| MAX487CUA         | 0°C to +70°C    | 8 μMAX         |
| MAX487C/D         | 0°C to +70°C    | Dice*          |
| MAX487EPA         | -40°C to +85°C  | 8 Plastic DIP  |
| MAX487ESA         | -40°C to +85°C  | 8 SO           |
| MAX487MJA         | -55°C to +125°C | 8 CERDIP       |
| <b>MAX488</b> CPA | 0°C to +70°C    | 8 Plastic DIP  |
| MAX488CSA         | 0°C to +70°C    | 8 SO           |
| MAX488CUA         | 0°C to +70°C    | 8 μMAX         |
| MAX488C/D         | 0°C to +70°C    | Dice*          |
| MAX488EPA         | -40°C to +85°C  | 8 Plastic DIP  |
| MAX488ESA         | -40°C to +85°C  | 8 SO           |
| MAX488MJA         | -55°C to +125°C | 8 CERDIP       |
| <b>MAX489</b> CPD | 0°C to +70°C    | 14 Plastic DIP |
| MAX489CSD         | 0°C to +70°C    | 14 SO          |
| MAX489C/D         | 0°C to +70°C    | Dice*          |
| MAX489EPD         | -40°C to +85°C  | 14 Plastic DIP |
| MAX489ESD         | -40°C to +85°C  | 14 SO          |
| MAX489MJD         | -55°C to +125°C | 14 CERDIP      |

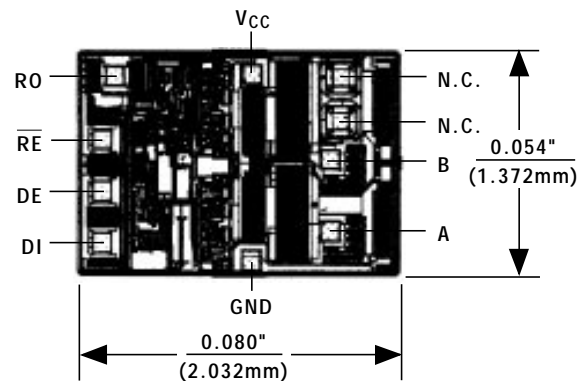
## Ordering Information (continued)

| PART               | TEMP. RANGE     | PIN-PACKAGE    |
|--------------------|-----------------|----------------|
| <b>MAX490</b> CPA  | 0°C to +70°C    | 8 Plastic DIP  |
| MAX490CSA          | 0°C to +70°C    | 8 SO           |
| MAX490CUA          | 0°C to +70°C    | 8 μMAX         |
| MAX490C/D          | 0°C to +70°C    | Dice*          |
| MAX490EPA          | -40°C to +85°C  | 8 Plastic DIP  |
| MAX490ESA          | -40°C to +85°C  | 8 SO           |
| MAX490MJA          | -55°C to +125°C | 8 CERDIP       |
| <b>MAX491</b> CPD  | 0°C to +70°C    | 14 Plastic DIP |
| MAX491CSD          | 0°C to +70°C    | 14 SO          |
| MAX491C/D          | 0°C to +70°C    | Dice*          |
| MAX491EPD          | -40°C to +85°C  | 14 Plastic DIP |
| MAX491ESD          | -40°C to +85°C  | 14 SO          |
| MAX491MJD          | -55°C to +125°C | 14 CERDIP      |
| <b>MAX1487</b> CPA | 0°C to +70°C    | 8 Plastic DIP  |
| MAX1487CSA         | 0°C to +70°C    | 8 SO           |
| MAX1487CUA         | 0°C to +70°C    | 8 μMAX         |
| MAX1487C/D         | 0°C to +70°C    | Dice*          |
| MAX1487EPA         | -40°C to +85°C  | 8 Plastic DIP  |
| MAX1487ESA         | -40°C to +85°C  | 8 SO           |
| MAX1487MJA         | -55°C to +125°C | 8 CERDIP       |

\* Contact factory for dice specifications.

## Chip Topographies

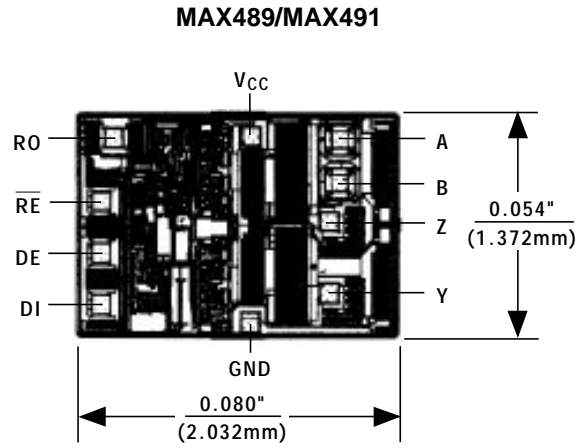
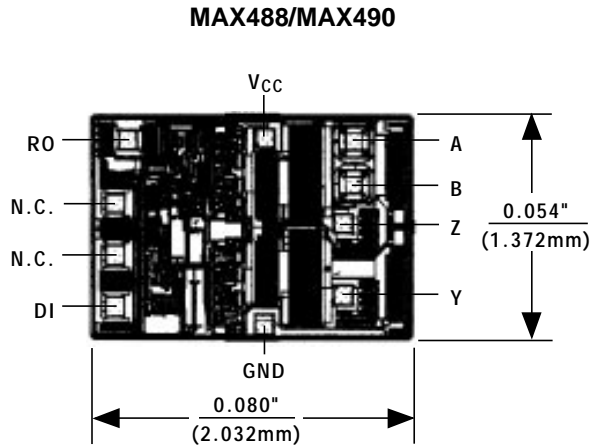
### MAX481/MAX483/MAX485/MAX487/MAX1487



MAX481/MAX483/MAX485/MAX487-MAX491/MAX1487

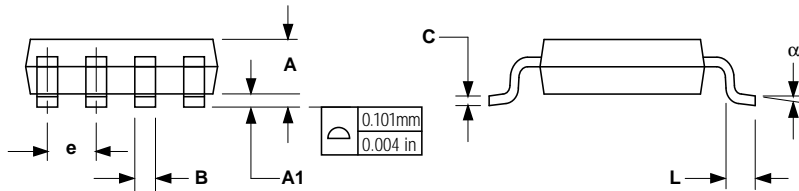
# Low-Power, Slew-Rate-Limited RS-485/RS-422 Transceivers

## Chip Topographies (continued)



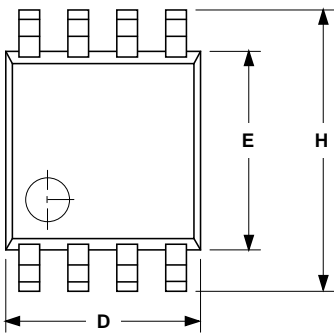
TRANSISTOR COUNT: 248  
SUBSTRATE CONNECTED TO GND

## Package Information



| DIM | INCHES |       | MILLIMETERS |      |
|-----|--------|-------|-------------|------|
|     | MIN    | MAX   | MIN         | MAX  |
| A   | 0.036  | 0.044 | 0.91        | 1.11 |
| A1  | 0.004  | 0.008 | 0.10        | 0.20 |
| B   | 0.010  | 0.014 | 0.25        | 0.36 |
| C   | 0.005  | 0.007 | 0.13        | 0.18 |
| D   | 0.116  | 0.120 | 2.95        | 3.05 |
| E   | 0.116  | 0.120 | 2.95        | 3.05 |
| e   | 0.0256 |       | 0.65        |      |
| H   | 0.188  | 0.198 | 4.78        | 5.03 |
| L   | 0.016  | 0.026 | 0.41        | 0.66 |
| α   | 0°     | 6°    | 0°          | 6°   |

21-0036D



### 8-PIN $\mu$ MAX MICROMAX SMALL-OUTLINE PACKAGE

Maxim cannot assume responsibility for use of any circuitry other than circuitry entirely embodied in a Maxim product. No circuit patent licenses are implied. Maxim reserves the right to change the circuitry and specifications without notice at any time.

16 Maxim Integrated Products, 120 San Gabriel Drive, Sunnyvale, CA 94086 (408) 737-7600