



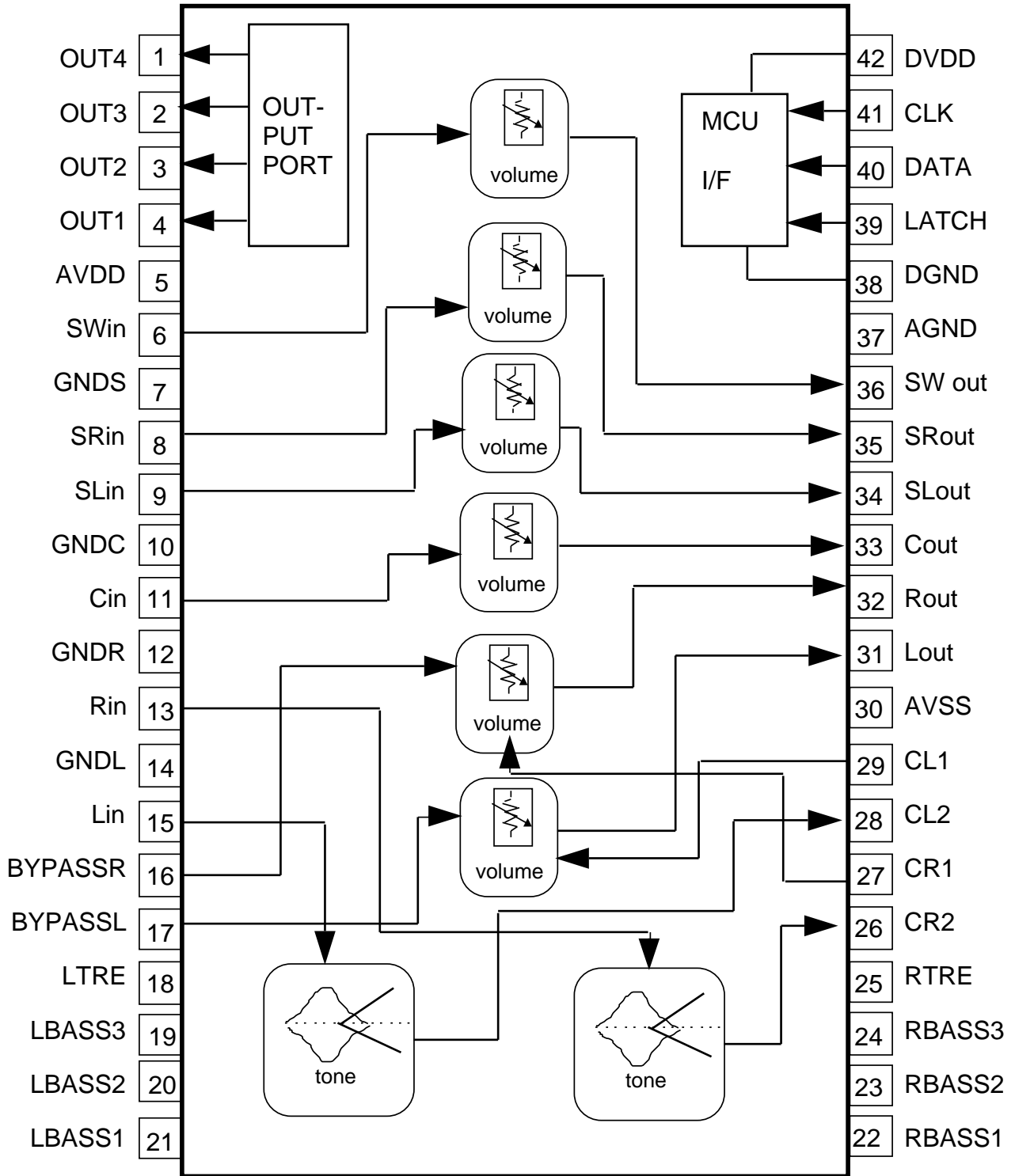
**PRELIMINARY**  
 Notice ; This is not a final specification.  
 some parametric limits are subject to change.

MITSUBISHI SOUND PROCESSORS

# M62446FP

6CH ELECTRIC VOLUME WITH TONE CONTROL

## PIN CONFIGURATION AND IC INTERNAL BLOCK DIAGRAM



**PRELIMINARY**  
 Notice ; This is not a final specification.  
 some parametric limits are subject to change.

MITSUBISHI SOUND PROCESSORS

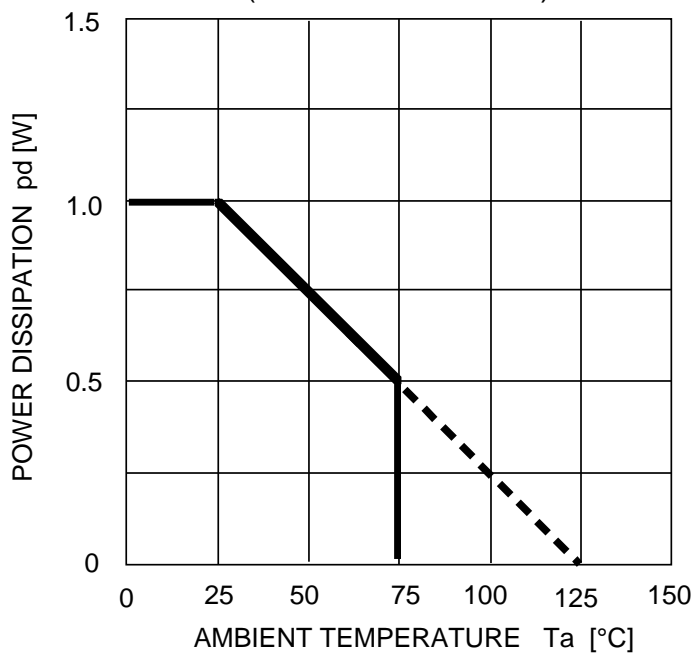
# M62446FP

6CH ELECTRIC VOLUME WITH TONE CONTROL

## ABSOLUTE MAXIMUM RATINGS

Symbol	Parameter	Conditions	Ratings	Unit
Vsupply	Supply Voltage	AVDD-AVSS	15.0	V
Pd	Power dissipation	Ta 25°C	1000	mW
Kθ	Thermal derating	Ta>25°C *standard board	10	mW/°C
Topr	Operating temperature		-20~+75	°C
Tstg	Storage temperature		-40~+125	°C

THERMAL DERATING  
(MAXIMUM RATING)



\*Standard board

**PRELIMINARY**  
 Notice ; This is not a final specification.  
 some parametric limits are subject to change.

MITSUBISHI SOUND PROCESSORS

# M62446FP

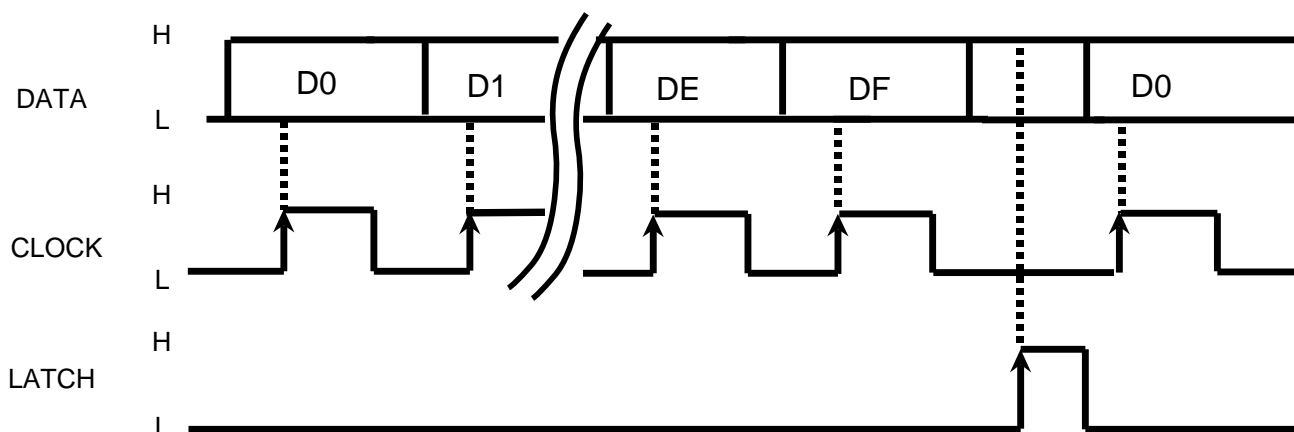
6CH ELECTRIC VOLUME WITH TONE CONTROL

## RECOMMENDED OPERATING CONDITION

Parameter	Symbol	Condition	MIN	TYP	MAX	Unit
Analog positive Supply Voltage	AVDD		4.5	7.0	7.3	V
Analog negative Supply Voltage	AVSS		-7.3	-7.0	-4.5	V
Digital Supply Voltage	DVDD		4.5	5.0	5.5	V
High-level Input Voltage	VIH		DVDD/2+1	—	DVDD	V
Low-level Input Voltage	VIL		DGND	—	DVDD/2-1	V

(note)AVSS DGND<DVDD AVDD

## DATA TIMING (Recommended conditions)



note : CLOCK and LATCH function at raising edges of pulse .

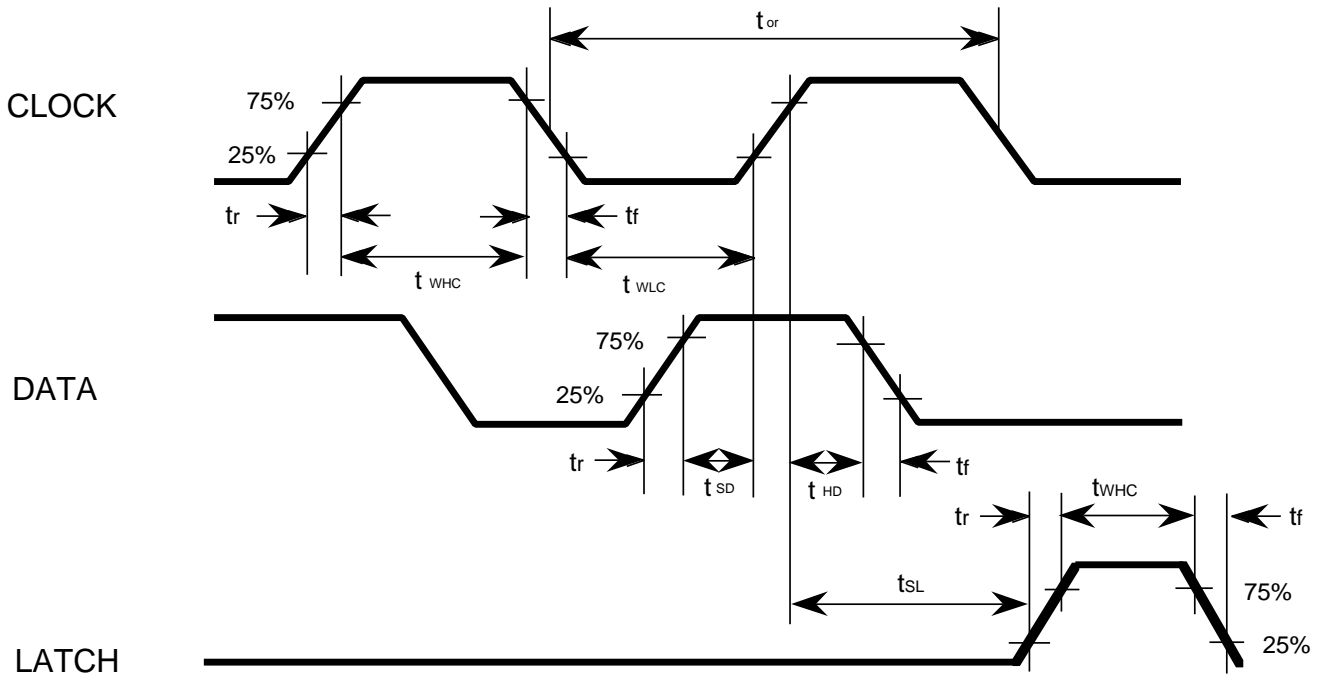
**PRELIMINARY**  
 Notice ; This is not a final specification.  
 some parametric limits are subject to change.

MITSUBISHI SOUND PROCESSORS

# M62446FP

6CH ELECTRIC VOLUME WITH TONE CONTROL

## CLOCK, DATA, LATCH TIMING



## DIGITAL BLOCK TIMING REGULATION

Symbol	Parameter	Limits			Unit
		Min	typ	Max	
$t_{or}$	CLOCK cycle time	8	-	-	μsec
$t_{WHC}$	CLOCK pulse width ("H"level)	3.2	-	-	
$t_{WLC}$	CLOCK pulse width ("L"level)	3.2	-	-	
$t_r$	CLOCK, DATA, LATCH rise time	-	-	0.8	
$t_f$	CLOCK, DATA, LATCH fall time	-	-	0.8	
$t_{SD}$	DATA setup time	1.6	-	-	
$t_{HD}$	DATA hold time	1.6	-	-	
$t_{SL}$	LATCH setup time	2	-	-	
$t_{WHL}$	LATCH pulse width	3.2	-	-	

**PRELIMINARY**  
 Notice ; This is not a final specification.  
 some parametric limits are subject to change.

MITSUBISHI SOUND PROCESSORS

# M62446FP

6CH ELECTRIC VOLUME WITH TONE CONTROL

## DIGITAL CONTROL SPECIFICATION

Fore kinds of input format options are available by changing slot settings of DE and DF.  
 (When the IC is powered up , the internal settings are not fixed.)

( 1 )

DO1	D11	D21	D31	D41	D51	D61	D71	D81	D91	DA1	DB1	DC1	DD1	DE	DF
TONE CONTROL TREBLE				1	2	3	4	TONE CONTROL BASS				0	BY PASS 1: ON 0: OFF	0	0
				OUTPUT PORT n 1: High 0: Low											

( 2 )

DO2	D12	D22	D32	D42	D52	D62	D72	D82	D92	DA2	DB2	DC2	DD2	DE	DF
VOLUME Lch							VOLUME Rch							0	1

( 3 )

DO3	D13	D23	D33	D43	D53	D63	D73	D83	D93	DA3	DB3	DC3	DD3	DE	DF
VOLUME Cch							VOLUME SWch							1	0

( 4 )

DO4	D14	D24	D34	D44	D54	D64	D74	D84	D94	DA4	DB4	DC4	DD4	DE	DF
VOLUME SLch							VOLUME SRch							1	1

**PRELIMINARY**  
 Notice ; This is not a final specification.  
 some parametric limits are subject to change.

MITSUBISHI SOUND PROCESSORS

# M62446FP

6CH ELECTRIC VOLUME WITH TONE CONTROL

## SETTING CODE

### (1) Tone control (bass / treble)

ATT	treble	D01	D11	D21	D31
	bass	D81	D91	DA1	DB1
- 10dB		1	1	1	0
- 8dB		1	1	0	0
- 6dB		1	0	1	1
- 4dB		1	0	1	0
- 2dB		1	0	0	1
+ 0dB		0	0	0	0
+ 2dB		0	0	0	1
+ 4dB		0	0	1	0
+ 6dB		0	0	1	1
+ 8dB		0	1	0	0
+ 10dB		0	1	1	0

### Port output

		D41	D51	D61	D71
PORT1	0	L	-	-	-
	1	H			
PORT2	0	-	L	-	-
	1		H		
PORT3	0	-	-	L	-
	1			H	
PORT4	0	-	-	-	L
	1				H

### BYPASS control

DD1	
TONE	0
BYPASS	1

Note : Do not input other data than the above.

**PRELIMINARY**  
 Notice ; This is not a final specification.  
 some parametric limits are subject to change.

MITSUBISHI SOUND PROCESSORS

# M62446FP

6CH ELECTRIC VOLUME WITH TONE CONTROL

(2),(3),(4) VOLUME ( 0 ~ -39dB)

Note : Do not input other data than the above.

A T T	VOLUME	D0X	D1X	D2X	D3X	D4X	D5X	D6X
		D7X	D8X	D9X	DAX	DBX	DCX	DDX
- 0	dB	0	0	0	0	0	0	0
- 1	dB	0	0	0	0	0	0	1
- 2	dB	0	0	0	0	0	1	0
- 3	dB	0	0	0	0	0	1	1
- 4	dB	0	0	0	0	1	0	0
- 5	dB	0	0	0	0	1	0	1
- 6	dB	0	0	0	0	1	1	0
- 7	dB	0	0	0	0	1	1	1
- 8	dB	0	0	0	1	0	0	0
- 9	dB	0	0	0	1	0	0	1
- 10	dB	0	0	0	1	0	1	0
- 11	dB	0	0	0	1	0	1	1
- 12	dB	0	0	0	1	1	0	0
- 13	dB	0	0	0	1	1	0	1
- 14	dB	0	0	0	1	1	1	0
- 15	dB	0	0	0	1	1	1	1
- 16	dB	0	0	1	0	0	0	0
- 17	dB	0	0	1	0	0	0	1
- 18	dB	0	0	1	0	0	1	0
- 19	dB	0	0	1	0	0	1	1
- 20	dB	0	0	1	0	1	0	0
- 21	dB	0	0	1	0	1	0	1
- 22	dB	0	0	1	0	1	1	0
- 23	dB	0	0	1	0	1	1	1
- 24	dB	0	0	1	1	0	0	0
- 25	dB	0	0	1	1	0	0	1
- 26	dB	0	0	1	1	0	1	0
- 27	dB	0	0	1	1	0	1	1
- 28	dB	0	0	1	1	1	0	0
- 29	dB	0	0	1	1	1	0	1
- 30	dB	0	0	1	1	1	1	0
- 31	dB	0	0	1	1	1	1	1
- 32	dB	0	1	0	0	0	0	0
- 33	dB	0	1	0	0	0	0	1
- 34	dB	0	1	0	0	0	1	0
- 35	dB	0	1	0	0	0	1	1
- 36	dB	0	1	0	0	1	0	0
- 37	dB	0	1	0	0	1	0	1
- 38	dB	0	1	0	0	1	1	0
- 39	dB	0	1	0	0	1	1	1



**PRELIMINARY**  
 Notice ; This is not a final specification.  
 some parametric limits are subject to change.

MITSUBISHI SOUND PROCESSORS

# M62446FP

6CH ELECTRIC VOLUME WITH TONE CONTROL

VOLUME ( -40 ~ - dB)

Note : Do not input other data than the above.

A T T	VOLUME	D0X	D1X	D2X	D3X	D4X	D5X	D6X
		D7X	D8X	D9X	DAX	DBX	DCX	DDX
-	40 dB	0	1	0	1	0	0	0
-	41 dB	0	1	0	1	0	0	1
-	42 dB	0	1	0	1	0	1	0
-	43 dB	0	1	0	1	0	1	1
-	44 dB	0	1	0	1	1	0	0
-	45 dB	0	1	0	1	1	0	1
-	46 dB	0	1	0	1	1	1	0
-	47 dB	0	1	0	1	1	1	1
-	48 dB	0	1	1	0	0	0	0
-	49 dB	0	1	1	0	0	0	1
-	50 dB	0	1	1	0	0	1	0
-	51 dB	0	1	1	0	0	1	1
-	52 dB	0	1	1	0	1	0	0
-	53 dB	0	1	1	0	1	0	1
-	54 dB	0	1	1	0	1	1	0
-	55 dB	0	1	1	0	1	1	1
-	56 dB	0	1	1	1	0	0	0
-	57 dB	0	1	1	1	0	0	1
-	58 dB	0	1	1	1	0	1	0
-	59 dB	0	1	1	1	0	1	1
-	60 dB	0	1	1	1	1	0	0
-	61 dB	0	1	1	1	1	0	1
-	62 dB	0	1	1	1	1	1	0
-	63 dB	0	1	1	1	1	1	1
-	64 dB	1	0	0	0	0	0	0
-	65 dB	1	0	0	0	0	0	1
-	66 dB	1	0	0	0	0	1	0
-	67 dB	1	0	0	0	0	1	1
-	68 dB	1	0	0	0	1	0	0
-	69 dB	1	0	0	0	1	0	1
-	70 dB	1	0	0	0	1	1	0
-	71 dB	1	0	0	0	1	1	1
-	72 dB	1	0	0	1	0	0	0
-	73 dB	1	0	0	1	0	0	1
-	74 dB	1	0	0	1	0	1	0
-	75 dB	1	0	0	1	0	1	1
-	76 dB	1	0	0	1	1	0	0
-	77 dB	1	0	0	1	1	0	1
-	78 dB	1	0	0	1	1	1	0
-	79 dB	1	0	0	1	1	1	1
-	dB	1	0	1	0	0	0	0

**PRELIMINARY**  
 Notice ; This is not a final specification.  
 some parametric limits are subject to change.

MITSUBISHI SOUND PROCESSORS

# M62446FP

6CH ELECTRIC VOLUME WITH TONE CONTROL

## ELECTRICAL CHARACTERISTICS

( $T_a=25^{\circ}\text{C}$ ,  $AVDD=7.0\text{V}$ ,  $AVSS=-7.0\text{V}$ ,  $DVDD=5.0\text{V}$ ,  $f=1\text{kHz}$ , unless otherwise noted.  
 TONE CONTROL, VOLUME are set to 0dB)

### (1) Power supply characteristics

Parameter	Symbol	Test condition	Limits			Unit
			Min	typ	Max	
Analog positive circuit current	A <sub>Idd</sub>	Current at pin 5 No signal	—	25	35	mA
Analog negative circuit current	A <sub>Iss</sub>	Current at pin 30 No signal	—	25	35	mA
Digital circuit current	D <sub>Idd</sub>	Current at pin 42 No signal	—	0.5	2.0	mA

### (2) Input / Output characteristics

Parameter	Symbol	Test condition	Limits			Unit
			Min	typ	Max	
Input resistance	R <sub>i</sub>	13,15,16,17,27,29pin	35	70	150	K
Maximum output voltage	V <sub>OM</sub>	6,8,9,11,13,15,16,17pin INPUT 31 ~ 36pin OUTPUT R <sub>L</sub> =10K, THD=1%	3.0	4.0	—	V <sub>rms</sub>
Pass gain	G <sub>v</sub>	V <sub>i</sub> =0.2V <sub>rms</sub> , FLAT 6,8,9,11,13,15,16,17pin INPUT 31 ~ 36pin OUTPUT	-2.0	0	2.0	dB
Distortion	THD	BW=400 ~ 30kHz V <sub>i</sub> =0.2V <sub>rms</sub> , R <sub>L</sub> =10K	—	0.02	0.09	%
Output noise voltage	V <sub>n</sub> (VOL)	31 ~ 36pin, R <sub>g</sub> =0K JIS-A, VOL=0dB	—	2	6	μV <sub>rms</sub>
	V <sub>n</sub> (tone)	31,32pin, R <sub>g</sub> =1K, JIS-A, VOL=0dB	—	8	20	μV <sub>rms</sub>
Maximum attenuation	ATT <sub>max</sub>	31 ~ 36pin, R <sub>g</sub> =1K, JIS-A, VOL=- dB	-86	—	—	dB
Volume gain between channels	D <sub>vol</sub>		-1.5	0	1.5	dB
Crosstalk between channels	CT	V <sub>o</sub> =0.5V <sub>rms</sub> , R <sub>L</sub> =10K, JIS-A R <sub>g</sub> =1K	—	-80	-65	dB
Port output current	I <sub>L</sub>	R <sub>L</sub> =22K	0.2	—	—	mA

**PRELIMINARY**  
 Notice ; This is not a final specification.  
 some parametric limits are subject to change.

MITSUBISHI SOUND PROCESSORS

# M62446FP

6CH ELECTRIC VOLUME WITH TONE CONTROL

### (3) Tone control characteristics

Parameter	Symbol	Test condition	Limits			Unit
			Min	typ	Max	
Tone control voltage gain	T -10dB	Vo=0.2Vrms,f=1kHz TLEBLE(f=10kHz) BASS(f=100Hz)  INPUT 13,15pin OUTPUT 31,32pin	-12	-10	-8	dB
	T - 8dB		-10	-8	-6	dB
	T - 6dB		-7.5	-6	-4.5	dB
	T - 4dB		-5.5	-4	-2.5	dB
	T - 2dB		-3	-2	-1	dB
	T+2dB		1	2	3	dB
	T+4dB		2.5	4	5.5	dB
	T+6dB		4.5	6	7.5	dB
	T+8dB		6	8	10	dB
	T+10dB		8	10	12	dB
Balance between channel	BALT	Input pin13,15 Vo=0.2Vrms Output pin31,32,	-1.5	0	+1.5	dB

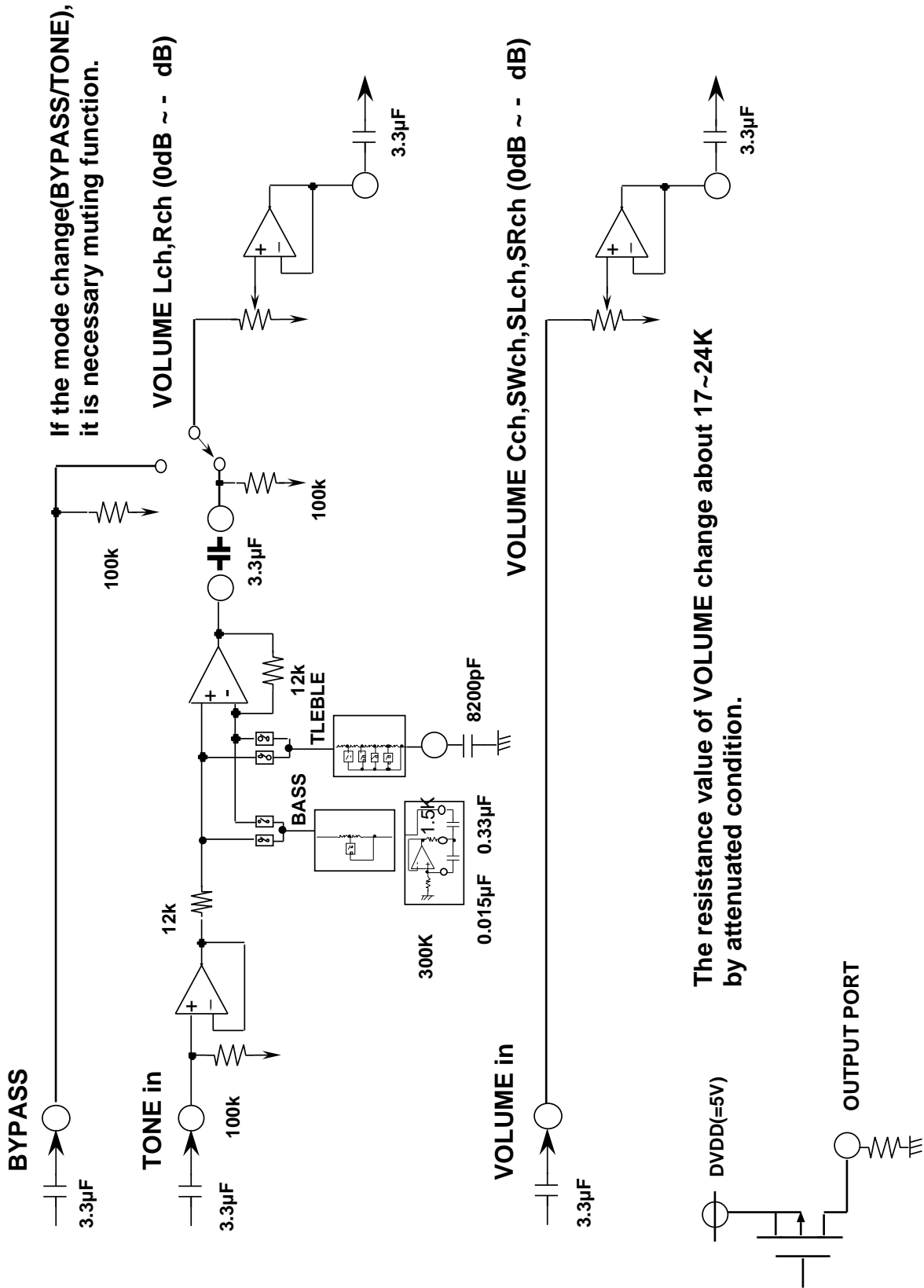
**PRELIMINARY**  
 Notice ; This is not a final specification.  
 some parametric limits are subject to change.

MITSUBISHI SOUND PROCESSORS

# M62446FP

6CH ELECTRIC VOLUME WITH TONE CONTROL

**SYSTEM DIAGRAM**



The resistance value of VOLUME change about 17~24K by attenuated condition.

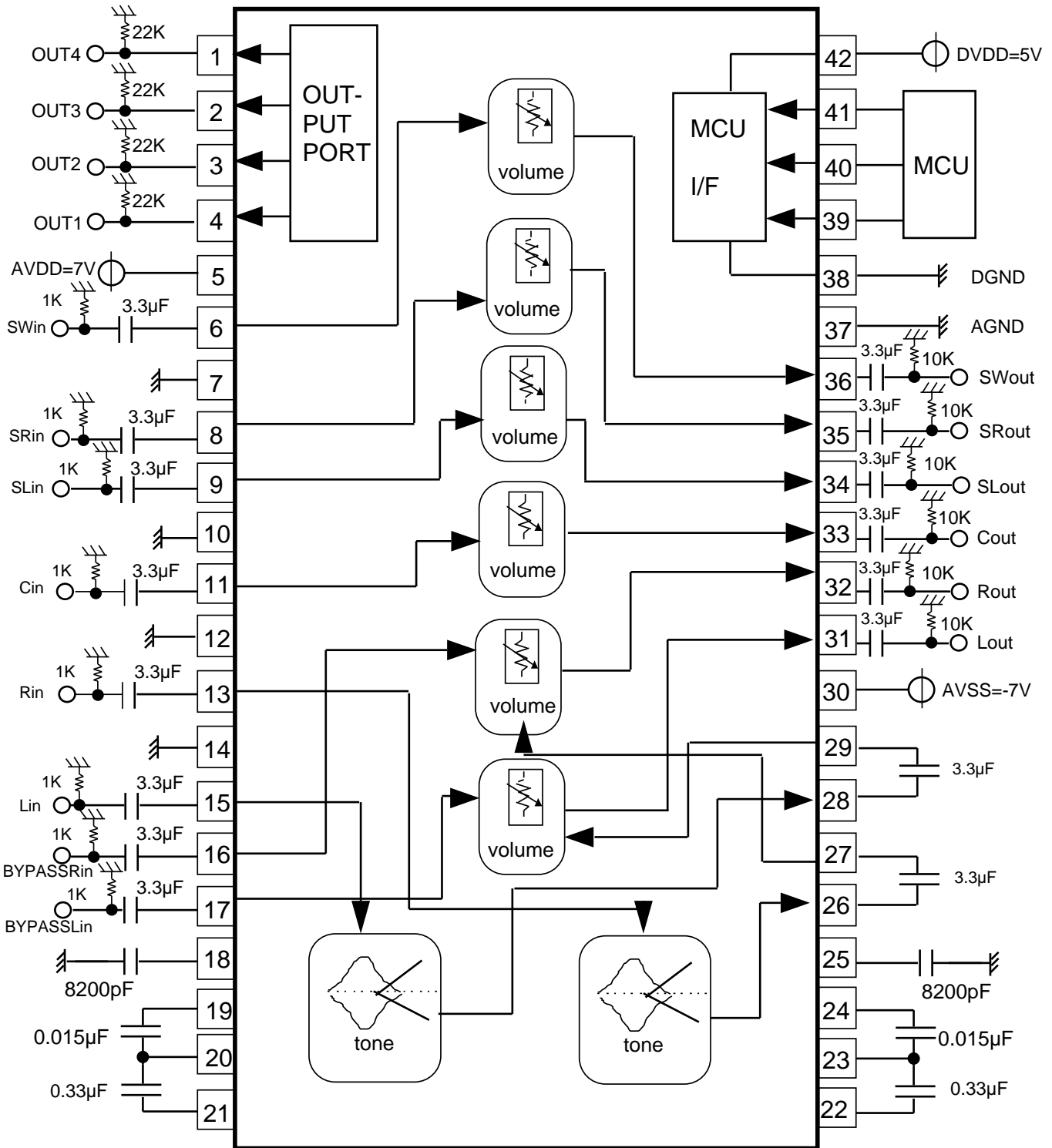
**PRELIMINARY**  
 Notice ; This is not a final specification.  
 some parametric limits are subject to change.

MITSUBISHI SOUND PROCESSORS

# M62446FP

6CH ELECTRIC VOLUME WITH TONE CONTROL

**APPLICATION EXAMPLE**



Units Resistance :  
 Capacitance : F