



SANYO Semiconductors

# DATA SHEET

## LV1116N/NV — Bi-CMOS LSI Surround Processor ICs for Electronic Volume Control

### Overview

The LV1116N/NV are sound processor ICs developed for use in TV sets.

They incorporate the surround processing functions including (AViSS<sup>®</sup>), pseudo stereo function, (L+R) output, and the major functional blocks of an electronic volume control IC.

### Functions

- Input function SWs (stereo inputs [L, R]).
- LINE OUT pin (through output).
- Input gain control (-6dB, -4dB, 0dB, 4dB, 6dB: 5 positions).
- AViSS<sup>®</sup> (ON/OFF/4-stage level control).
- Tone control (BASS:  $\pm 20$ dB, TREBLE:  $\pm 18$ dB [in 2dB steps]).
- Master volume control (0dB~-14dB: 1dB steps/-14dB~-80dB: 2dB steps/- =-82dB).
- Balance control.
- THROUGH mode/MUTE mode.
- Pseudo stereo function (ON/OFF/MONO).
- L+R output with LPF (MUTE + 7-stage level control: 8 positions).
- I<sup>2</sup>C bus control.

\* Initial output gain of L+R can be controlled by the resistance value of external resistor.

### Specifications

#### Maximum Ratings at Ta = 25°C

Parameter	Symbol	Conditions	Ratings	Unit
Maximum supply voltage	V <sub>CC</sub> max		10.5	V
Allowable power dissipation 1	Pd max1	Ta 70 (DIP)	700	mW
Allowable power dissipation 2	Pd max2	Ta 70 (SSOP)*	550	mW
Operating temperature	Topr		-25 to +70	
Storage temperature	Tstg		-40 to +125	

\* When mounted on a 76.1×114.3×1.6 mm glass epoxy board.

- Any and all SANYO products described or contained herein do not have specifications that can handle applications that require extremely high levels of reliability, such as life-support systems, aircraft's control systems, or other applications whose failure can be reasonably expected to result in serious physical and/or material damage. Consult with your SANYO representative nearest you before using any SANYO products described or contained herein in such applications.
- SANYO assumes no responsibility for equipment failures that result from using products at values that exceed, even momentarily, rated values (such as maximum ratings, operating condition ranges, or other parameters) listed in products specifications of any and all SANYO products described or contained herein.

# LV1116N/NV

## Operating Conditions at Ta = 25°C

Parameter	Symbol	Conditions	Ratings	Unit
Recommended supply voltage	V <sub>CC</sub>		9.0	V
Operating supply voltage range 1	V <sub>CC.org1</sub>	DIP	5.0 to 10.0	V
Operating supply voltage range 2	V <sub>CC.org2</sub>	SSOP	5.0 to 9.0	V
Control data				
"H" level voltage	V <sub>IH</sub>		2.0 to 5.5	V
"L" level voltage	V <sub>IL</sub>		0.0 to 1.0	V
Pulse width	t <sub>pw</sub>		1.0	μs
Hold time	t <sub>hold</sub>		1.0	μs
Operating frequency	f <sub>opg</sub>		500	kHz

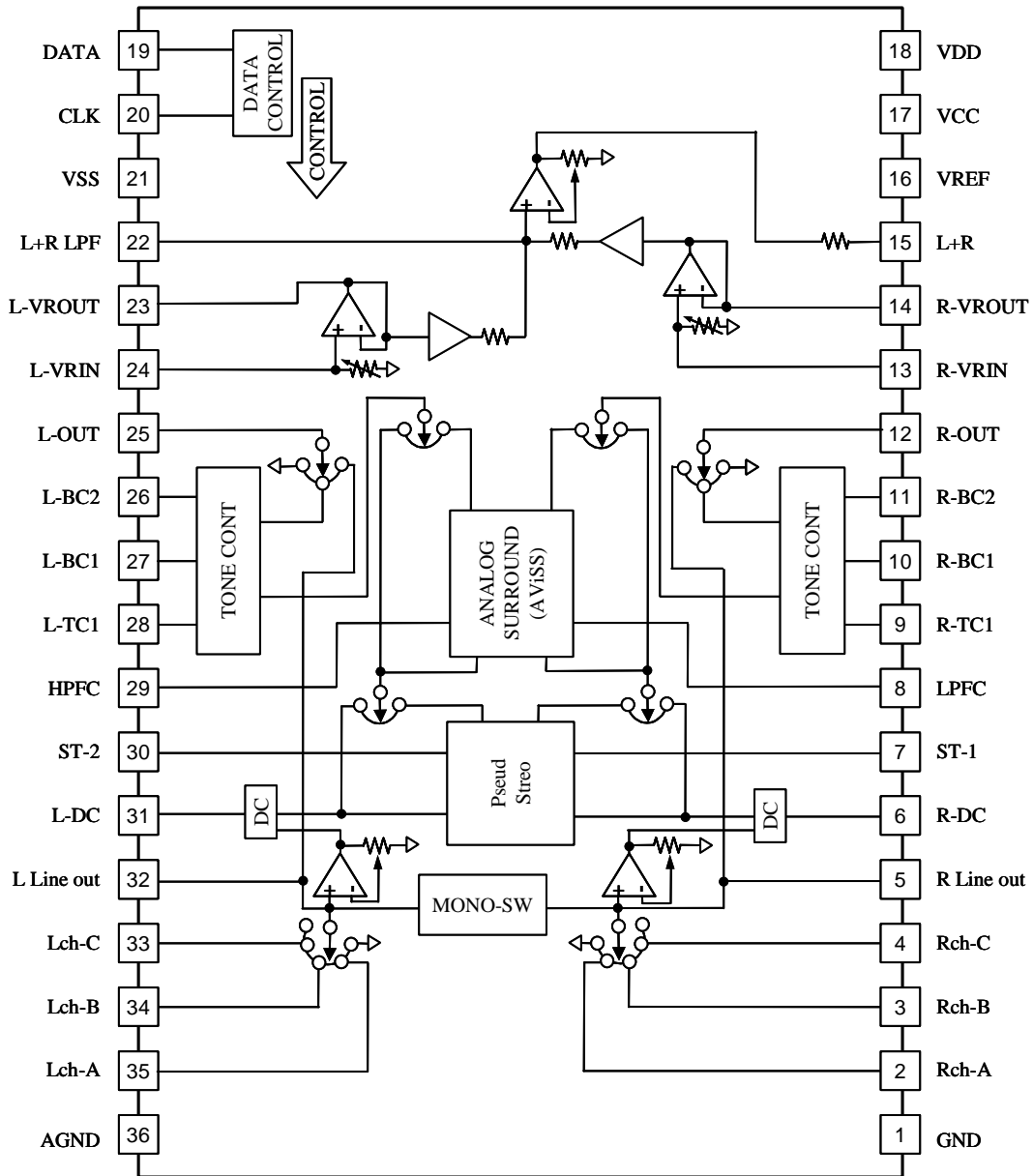
## Electrical Characteristics at Ta=25°C, VCC=9.0V, fin=1kHz, VIN=300mVrms=0dB, RL=10kΩ

(Input=L/R-A, Output=L/R-VROUT)

Parameter	Symbol	Conditions	min	typ	max	unit
Quiescent current	ICCO			48		mA
Total Through (Total Through mode, Volume control: 0dB)						
Volume gain	VG <sub>T</sub>		-1.6	-0.6	+0.6	dB
Maximum output voltage	VO <sub>T</sub>	THD=1%	2.0	2.6		Vrms
Total harmonic distortion	THD <sub>T</sub>	DIN AUDIO		0.03	0.1	%
Output voltage noise	VNO <sub>T</sub>	DIN AUDIO		-99	-85	dBV
Cross talk	CT <sub>T</sub>	DIN AUDIO	85	95		dB
Matrix through (Matrix mode, Input gain: 0dB, Volume control: 0dB)						
Volume gain	VG <sub>F</sub>		-1.7	-0.7	+0.7	dB
Maximum output voltage	VO <sub>M</sub>	THD=1%	1.5	2.0		Vrms
Total harmonic distortion	THD <sub>M</sub>	DIN AUDIO		0.04	0.1	%
Output voltage noise	VNO <sub>M</sub>	DIN AUDIO		-95	-85	dBV
Cross talk	CT <sub>M</sub>	DIN AUDIO	85	93		DB
MONO mode (MONO mode, Input gain: 0dB, Volume control: 0dB)						
Maximum output voltage	VO <sub>S</sub>	THD=1%	1.5	2.0		Vrms
Total harmonic distortion	THD <sub>S</sub>	DIN AUDIO		0.04	0.5	%
Output voltage noise	VNO <sub>S</sub>	DIN AUDIO		-95	-85	dBV
Surround (Surround mode-A, Input gain: 0dB, Volume control: 0dB)						
Maximum output voltage	VO <sub>S</sub>	THD=1%	1.5	2.0		Vrms
Total harmonic distortion	THD <sub>S</sub>	DIN AUDIO		0.2	0.5	%
Output voltage noise	VNO <sub>S</sub>	DIN AUDIO		-92	-85	dBV
Pseudo stereo (Pseudo stereo mode, Input gain: 0dB, Volume control: 0dB)						
Maximum output voltage	VO <sub>S</sub>	THD=1%	1.5	2.0		Vrms
Total harmonic distortion	THD <sub>S</sub>	DIN AUDIO		0.07	0.5	%
Output voltage noise	VNO <sub>S</sub>	DIN AUDIO		-92	-85	dBV
Bass band EQ (Matrix through mode, Input gain: 0dB, Volume control: 0dB)						
Maximum output voltage	Geq <sub>B</sub>	max.Boost/Cut	±17	±20	±23	dB
Step resolution	Estep <sub>B</sub>		1.0	2.0	3.0	dB
Treble band EQ (Matrix through mode, Input gain: 0dB, Volume control: 0dB)						
Maximum output voltage	Geq <sub>T</sub>	max.Boost/Cut	±15	±18	±21	dB
Step resolution	Estep <sub>T</sub>		1.0	2.0	3.0	dB
L+R output (Output=L+R-OUT, Step=0dB, L+R_Step=Step4)						
Gain	VG <sub>F</sub>		-2.3	-1.3	-0.3	dB
Maximum output voltage	VO <sub>F</sub>	THD=1%	2.0	2.5		Vrms
Total harmonic distortion	THD <sub>F</sub>	DIN AUDIO		0.03	0.1	%
Output voltage noise	VNO <sub>F</sub>	DIN AUDIO		-99	-85	dBV

# LV1116N/NV

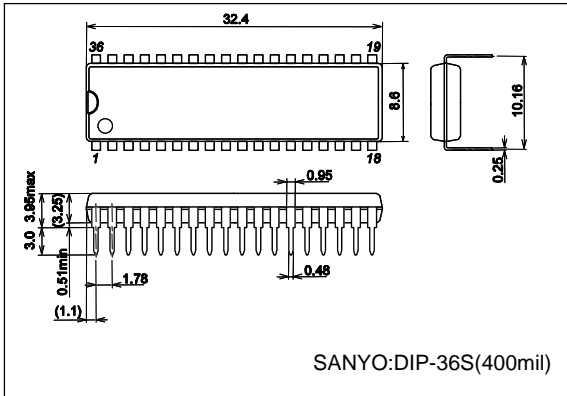
## Block Diagram



# LV1116N/NV

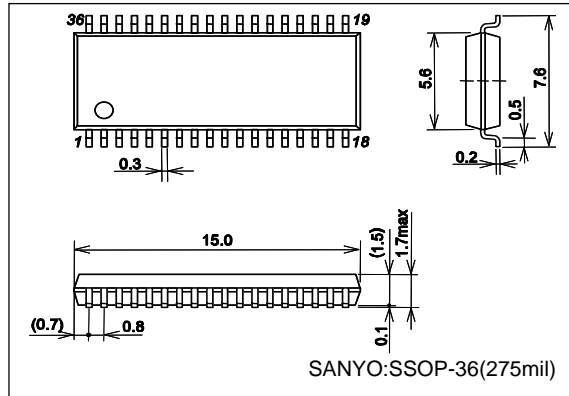
## LV1116N Package Dimensions

Unit: mm  
3061



## LV1116NV Package Dimensions

Unit: mm  
3247A



- Specifications of any and all SANYO products described or contained herein stipulate the performance, characteristics, and functions of the described products in the independent state, and are not guarantees of the performance, characteristics, and functions of the described products as mounted in the customer's products or equipment. To verify symptoms and states that cannot be evaluated in an independent device, the customer should always evaluate and test devices mounted in the customer's products or equipment.
- SANYO Electric Co., Ltd. strives to supply high-quality high-reliability products. However, any and all semiconductor products fail with some probability. It is possible that these probabilistic failures could give rise to accidents or events that could endanger human lives, that could give rise to smoke or fire, or that could cause damage to other property. When designing equipment, adopt safety measures so that these kinds of accidents or events cannot occur. Such measures include but are not limited to protective circuits and error prevention circuits for safe design, redundant design, and structural design.
- In the event that any or all SANYO products(including technical data, services) described or contained herein are controlled under any of applicable local export control laws and regulations, such products must not be exported without obtaining the export license from the authorities concerned in accordance with the above law.
- No part of this publication may be reproduced or transmitted in any form or by any means, electronic or mechanical, including photocopying and recording, or any information storage or retrieval system, or otherwise, without the prior written permission of SANYO Electric Co., Ltd.
- Any and all information described or contained herein are subject to change without notice due to product/technology improvement, etc. When designing equipment, refer to the "Delivery Specification" for the SANYO product that you intend to use.
- Information (including circuit diagrams and circuit parameters) herein is for example only ; it is not guaranteed for volume production. SANYO believes information herein is accurate and reliable, but no guarantees are made or implied regarding its use or any infringements of intellectual property rights or other rights of third parties.

This catalog provides information as of July, 2003. Specifications and information herein are subject to change without notice.