

# LM111, LM211, LM311 DIFFERENTIAL COMPARATORS WITH STROBES

SLCS007C – SEPTEMBER 1973 – REVISED OCTOBER 2000

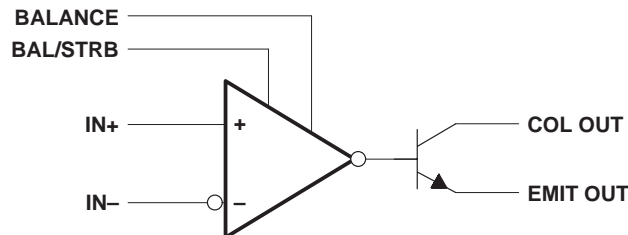
- **Fast Response Times**
- **Strobe Capability**
- **Maximum Input Bias Current . . . 300 nA**
- **Maximum Input Offset Current . . . 70 nA**
- **Can Operate From Single 5-V Supply**
- **Designed to Be Interchangeable With National Semiconductor LM111, LM211, and LM311**
- **Available in Q-Temp Automotive**
  - High Reliability Automotive Applications
  - Configuration Control/Print Support
  - Qualification to Automotive Standards

## description

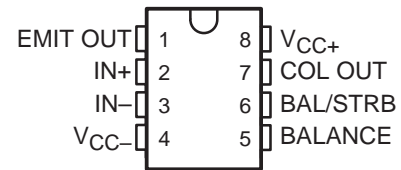
The LM111, LM211, and LM311 are single high-speed voltage comparators. These devices are designed to operate from a wide range of power-supply voltages, including  $\pm 15$ -V supplies for operational amplifiers and 5-V supplies for logic systems. The output levels are compatible with most TTL and MOS circuits. These comparators are capable of driving lamps or relays and switching voltages up to 50 V at 50 mA. All inputs and outputs can be isolated from system ground. The outputs can drive loads referenced to ground,  $V_{CC+}$  or  $V_{CC-}$ . Offset balancing and strobe capabilities are available, and the outputs can be wire-OR connected. If the strobe is low, the output is in the off state, regardless of the differential input.

The LM111 is characterized for operation over the full military temperature range of  $-55^{\circ}\text{C}$  to  $125^{\circ}\text{C}$ . The LM211 is characterized for operation from  $-40^{\circ}\text{C}$  to  $85^{\circ}\text{C}$ . The LM211Q is characterized for operation over the full automotive range of  $-40^{\circ}\text{C}$  to  $125^{\circ}\text{C}$ . The LM311 is characterized for operation from  $0^{\circ}\text{C}$  to  $70^{\circ}\text{C}$ .

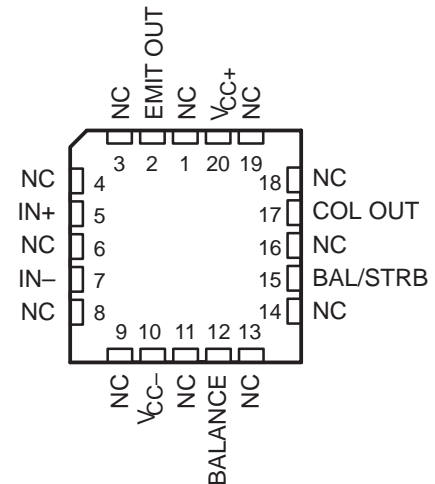
## functional block diagram



LM111 . . . JG PACKAGE  
LM211, LM311 . . . D, P, OR PW PACKAGE  
(TOP VIEW)



LM111 . . . FK PACKAGE  
(TOP VIEW)



NC – No internal connection



Please be aware that an important notice concerning availability, standard warranty, and use in critical applications of Texas Instruments semiconductor products and disclaimers thereto appears at the end of this data sheet.

PRODUCTION DATA information is current as of publication date. Products conform to specifications per the terms of Texas Instruments standard warranty. Production processing does not necessarily include testing of all parameters.

**TEXAS  
INSTRUMENTS**

POST OFFICE BOX 655303 • DALLAS, TEXAS 75265

Copyright © 2000, Texas Instruments Incorporated  
On products compliant to MIL-PRF-38535, all parameters are tested unless otherwise noted. On all other products, production processing does not necessarily include testing of all parameters.

# LM111, LM211, LM311 DIFFERENTIAL COMPARATORS WITH STROBES

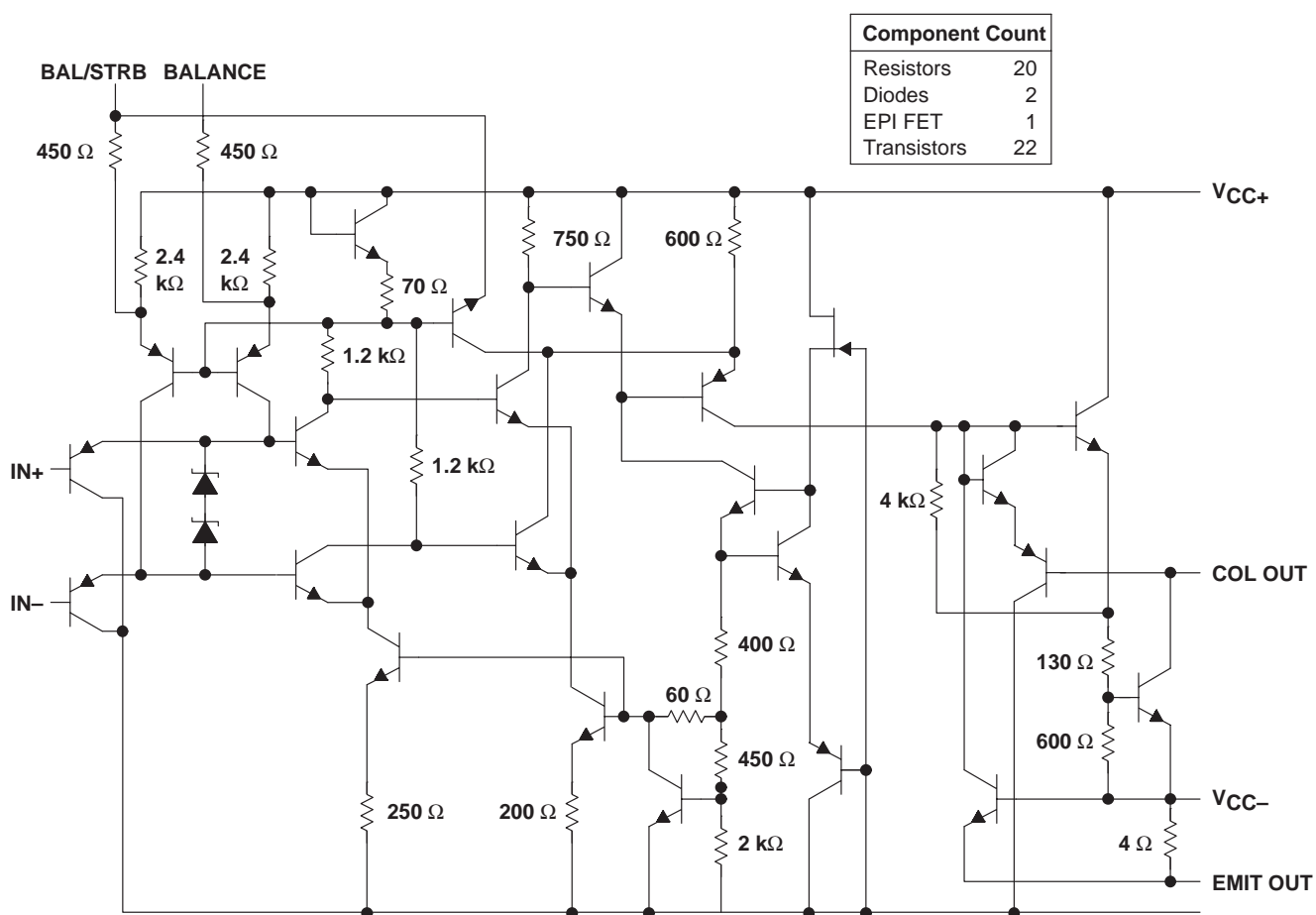
SLCS007C – SEPTEMBER 1973 – REVISED OCTOBER 2000

## AVAILABLE OPTIONS

T <sub>A</sub>	V <sub>IO</sub> max AT 25°C	PACKAGED DEVICES					CHIP FORM
		PLASTIC SMALL OUTLINE (D)	CERAMIC CHIP CARRIER (FK)	CERAMIC DIP (JG)	PLASTIC DIP (P)	PLASTIC TSSOP (PW)	
0°C to 70°C	7.5 mV	LM311D			LM311P	LM311PWR	LM311Y
-40°C to 85°C	3 mV	LM211D			LM211P		
-40°C to 125°C	3 mV	LM211QD					
-55°C to 125°C	3 mV		LM111FK	LM111JG			

The D package also is available taped and reeled. Add the suffix R to device type (e.g., LM311DR). The PW package is only available taped and reeled. Chip forms are tested at 25°C only.

## schematic



All resistor values shown are nominal.

# LM111, LM211, LM311 DIFFERENTIAL COMPARATORS WITH STROBES

SLCS007C – SEPTEMBER 1973 – REVISED OCTOBER 2000

## absolute maximum ratings over operating free-air temperature range (unless otherwise noted)†

Supply voltage: $V_{CC+}$ (see Note 1) .....	18 V
$V_{CC-}$ (see Note 1) .....	-18 V
$V_{CC+} - V_{CC-}$ .....	36 V
Differential input voltage, $V_{ID}$ (see Note 2) .....	$\pm 30$ V
Input voltage, $V_I$ (either input, see Notes 1 and 3) .....	$\pm 15$ V
Voltage from emitter output to $V_{CC-}$ .....	30 V
Voltage from collector output to $V_{CC-}$ : LM111 .....	50 V
LM211 .....	50 V
LM211Q .....	50 V
LM311 .....	40 V
Duration of output short circuit (see Note 4) .....	10 s
Continuous total dissipation .....	See Dissipation Rating Table
Package thermal impedance, $\theta_{JA}$ (see Note 5): D package .....	97°C/W
P package .....	85°C/W
PW package .....	149°C/W
Case temperature for 60 seconds: FK package .....	260°C
Lead temperature 1,6 mm (1/16 inch) from case for 10 seconds: J or JG package .....	300°C
Lead temperature 1,6 mm (1/16 inch) from case for 60 seconds: D, P, or PW package .....	260°C
Storage temperature range, $T_{stg}$ .....	-65°C to 150°C

† Stresses beyond those listed under “absolute maximum ratings” may cause permanent damage to the device. These are stress ratings only, and functional operation of the device at these or any other conditions beyond those indicated under “recommended operating conditions” is not implied. Exposure to absolute-maximum-rated conditions for extended periods may affect device reliability.

- NOTES:
1. All voltage values, unless otherwise noted, are with respect to the midpoint between  $V_{CC+}$  and  $V_{CC-}$ .
  2. Differential voltages are at  $IN+$  with respect to  $IN-$ .
  3. The magnitude of the input voltage must never exceed the magnitude of the supply voltage or  $\pm 15$  V, whichever is less.
  4. The output may be shorted to ground or either power supply.
  5. The package thermal impedance is calculated in accordance with JESD 51-7.

**DISSIPATION RATING TABLE**

PACKAGE	$T_A \leq 25^\circ\text{C}$ POWER RATING	DERATING FACTOR	DERATE ABOVE $T_A$	$T_A = 70^\circ\text{C}$ POWER RATING	$T_A = 85^\circ\text{C}$ POWER RATING	$T_A = 125^\circ\text{C}$ POWER RATING
FK	500 mW	11.0 mW/°C	105°C	500 mW	500 mW	275 mW
JG	500 mW	8.4 mW/°C	90°C	500 mW	500 mW	210 mW

## recommended operating conditions

	MIN	MAX	UNIT
Supply voltage, $V_{CC+} - V_{CC-}$	3.5	30	V
Input voltage ( $ V_{CC\pm}  \leq 15$ V)	$V_{CC-} + 0.5$	$V_{CC+} - 1.5$	V
Operating free-air temperature range, $T_A$	LM111	-55	125
	LM211	-40	85
	LM211Q	-40	125
	LM311	0	70



# LM111, LM211, LM311

## DIFFERENTIAL COMPARATORS WITH STROBES

SLCS007C – SEPTEMBER 1973 – REVISED OCTOBER 2000

### electrical characteristics at specified free-air temperature, $V_{CC\pm} = \pm 15\text{ V}$ (unless otherwise noted)

PARAMETER	TEST CONDITIONS	$T_A$ †	LM111 LM211 LM211Q			LM311			UNIT
			MIN	TYP‡	MAX	MIN	TYP‡	MAX	
$V_{IO}$ Input offset voltage	See Note 6	25°C	0.7		3	2		7.5	mV
		Full range			4			10	
$I_{IO}$ Input offset current	See Note 6	25°C	4		10	6		50	nA
		Full range			20			70	
$I_{IB}$ Input bias current	$V_O = 1\text{ V to } 14\text{ V}$	25°C	75		100	100		250	nA
		Full range			150			300	
$I_{L(S)}$ Low-level strobe current (see Note 7)	$V_{(\text{strobe})} = 0.3\text{ V}, V_{ID} \leq -10\text{ mV}$	25°C	-3			-3			mA
$V_{ICR}$ Common-mode input voltage range		Full range	13 to -14.5	13.8 to -14.7		13 to -14.5	13.8 to -14.7		V
$A_{VD}$ Large-signal differential voltage amplification	$V_O = 5\text{ V to } 35\text{ V}, R_L = 1\text{ k}\Omega$	25°C	40	200		40	200		V/mV
$I_{OH}$ High-level (collector) output leakage current	$I_{(\text{strobe})} = -3\text{ mA}, V_{OH} = 35\text{ V}, V_{ID} = 5\text{ mV}$	25°C	0.2		10				nA
		Full range			0.5				$\mu\text{A}$
$V_{OL}$ Low-level (collector-to-emitter) output voltage	$I_{OL} = 50\text{ mA}$	$V_{ID} = -5\text{ mV}$	25°C		0.75	1.5			V
		$V_{ID} = -10\text{ mV}$	25°C				0.75	1.5	
	$V_{CC+} = 4.5\text{ V}, V_{CC-} = 0, I_{OL} = 8\text{ mA}$	$V_{ID} = -6\text{ mV}$	Full range		0.23	0.4			
		$V_{ID} = -10\text{ mV}$	Full range				0.23	0.4	
$I_{CC+}$ Supply current from $V_{CC+}$ , output low	$V_{ID} = -10\text{ mV},$ No load	25°C	5.1		6	5.1		7.5	mA
$I_{CC-}$ Supply current from $V_{CC-}$ , output high	$V_{ID} = 10\text{ mV},$ No load	25°C	-4.1		-5	-4.1		-5	mA

† Unless otherwise noted, all characteristics are measured with BALANCE and BAL/STRB open and the emitter output grounded. Full range for LM111 is  $-55^\circ\text{C}$  to  $125^\circ\text{C}$ , for LM211 is  $-40^\circ\text{C}$  to  $85^\circ\text{C}$ , for LM211Q is  $-40^\circ\text{C}$  to  $125^\circ\text{C}$ , and for LM311 is  $0^\circ\text{C}$  to  $70^\circ\text{C}$ .

‡ All typical values are at  $T_A = 25^\circ\text{C}$ .

- NOTES: 6. The offset voltages and offset currents given are the maximum values required to drive the collector output up to 14 V or down to 1 V with a pullup resistor of 7.5 k $\Omega$  to  $V_{CC+}$ . These parameters actually define an error band and take into account the worst-case effects of voltage gain and input impedance.
7. The strobe should not be shorted to ground; it should be current driven at  $-3\text{ mA}$  to  $-5\text{ mA}$  (see Figures 13 and 27).

### switching characteristics, $V_{CC\pm} = \pm 15\text{ V}, T_A = 25^\circ\text{C}$

PARAMETER	TEST CONDITIONS	LM111 LM211 LM211Q LM311			UNIT
		MIN	TYP	MAX	
Response time, low-to-high-level output	$R_C = 500\ \Omega$ to 5 V, $C_L = 5\text{ pF},$ See Note 8	115			ns
Response time, high-to-low-level output		165			ns

NOTE 8: The response time specified is for a 100-mV input step with 5-mV overdrive and is the interval between the input step function and the instant when the output crosses 1.4 V.



# LM111, LM211, LM311 DIFFERENTIAL COMPARATORS WITH STROBES

SLCS007C – SEPTEMBER 1973 – REVISED OCTOBER 2000

## electrical characteristics at $V_{CC\pm} = \pm 15\text{ V}$ , $T_A = 25^\circ\text{C}$ (unless otherwise noted)

PARAMETER	TEST CONDITION <sup>†</sup>	LM311Y			UNIT
		MIN	TYP	MAX	
$V_{IO}$ Input offset voltage	See Note 6		2	7.5	mV
$I_{IO}$ Input offset current	See Note 6		6	50	nA
$I_{IB}$ Input bias current	$V_O = 1\text{ V to }14\text{ V}$		100	250	nA
$I_{IL(S)}$ Low-level strobe current (see Note 7)	$V_{(\text{strobe})} = 0.3\text{ V}$ , $V_{ID} \leq -10\text{ mV}$		-3		mA
$V_{ICR}$ Common-mode input voltage range		13 to -14.5	13.8 to -14.7		V
$A_{VD}$ Large-signal differential voltage amplification	$V_O = 5\text{ V to }35\text{ V}$ , $R_L = 1\text{ k}\Omega$	40	200		V/mV
$I_{OH}$ High-level (collector) output leakage current	$I_{\text{strobe}} = -3\text{ mA}$ , $V_{ID} = 5\text{ mV}$ , $V_{OH} = 35\text{ V}$		0.2	50	nA
$V_{OL}$ Low-level (collector-to-emitter) output voltage	$I_{OL} = 50\text{ mA}$ , $V_{ID} = -10\text{ mV}$		0.75	1.5	V
$I_{CC+}$ Supply current from $V_{CC+}$ , output low	$V_{ID} = -10\text{ mV}$ , No load		5.1	7.5	mA
$I_{CC-}$ Supply current from $V_{CC-}$ , output low	$V_{ID} = 10\text{ mV}$ , No load		-4.1	-5	mA

<sup>†</sup> Unless otherwise noted, all characteristics are measured with BALANCE and BAL/STRB open and the emitter output grounded.

NOTES: 6. The offset voltages and offset currents given are the maximum values required to drive the collector output up to 14 V or down to 1 V with a pullup resistor of 7.5 k $\Omega$  to  $V_{CC+}$ . These parameters actually define an error band and take into account the worst-case effects of voltage gain and input impedance.

7. The strobe should not be shorted to ground; it should be current driven at -3 mA to -5 mA (see Figures 13 and 27).

## switching characteristics, $V_{CC\pm} = \pm 15\text{ V}$ , $T_A = 25^\circ\text{C}$

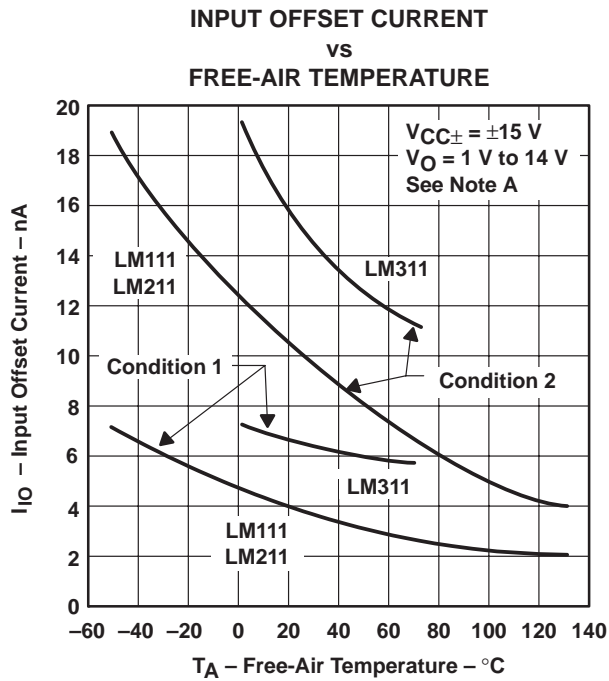
PARAMETER	TEST CONDITIONS	LM311Y			UNIT
		MIN	TYP	MAX	
Response time, low-to-high-level output	$R_C = 500\ \Omega\text{ to }5\text{ V}$ , $C_L = 5\text{ pF}$ , See Note 8		115		ns
Response time, high-to-low-level output			165		ns

NOTE 8: The response time specified is for a 100-mV input step with 5-mV overdrive and is the interval between the input step function and the instant when the output crosses 1.4 V.

# LM111, LM211, LM311 DIFFERENTIAL COMPARATORS WITH STROBES

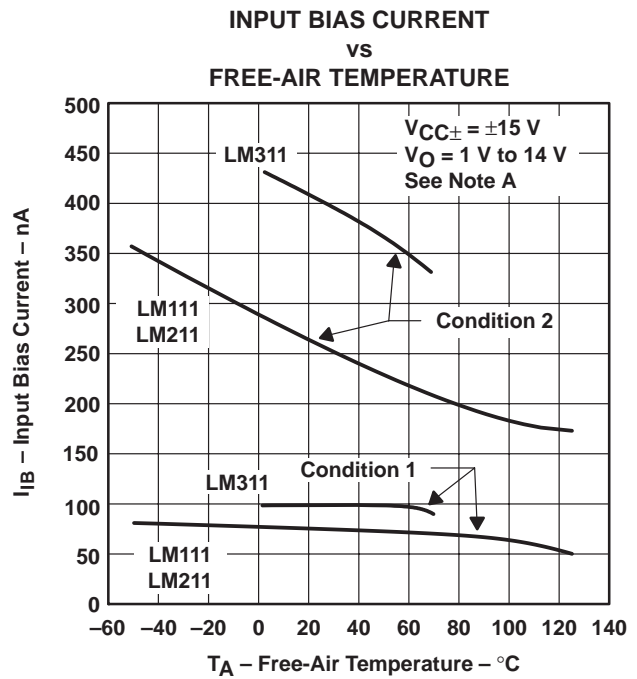
SLCS007C – SEPTEMBER 1973 – REVISED OCTOBER 2000

## TYPICAL CHARACTERISTICS†



NOTE A: Condition 1 is with BALANCE and BAL/STRB open. Condition 2 is with BALANCE and BAL/STRB connected to  $V_{CC+}$ .

Figure 1



NOTE A: Condition 1 is with BALANCE and BAL/STRB open. Condition 2 is with BALANCE and BAL/STRB connected to  $V_{CC+}$ .

Figure 2

† Data at high and low temperatures are applicable only within the rated operating free-air temperature ranges of the various devices.

TYPICAL CHARACTERISTICS†

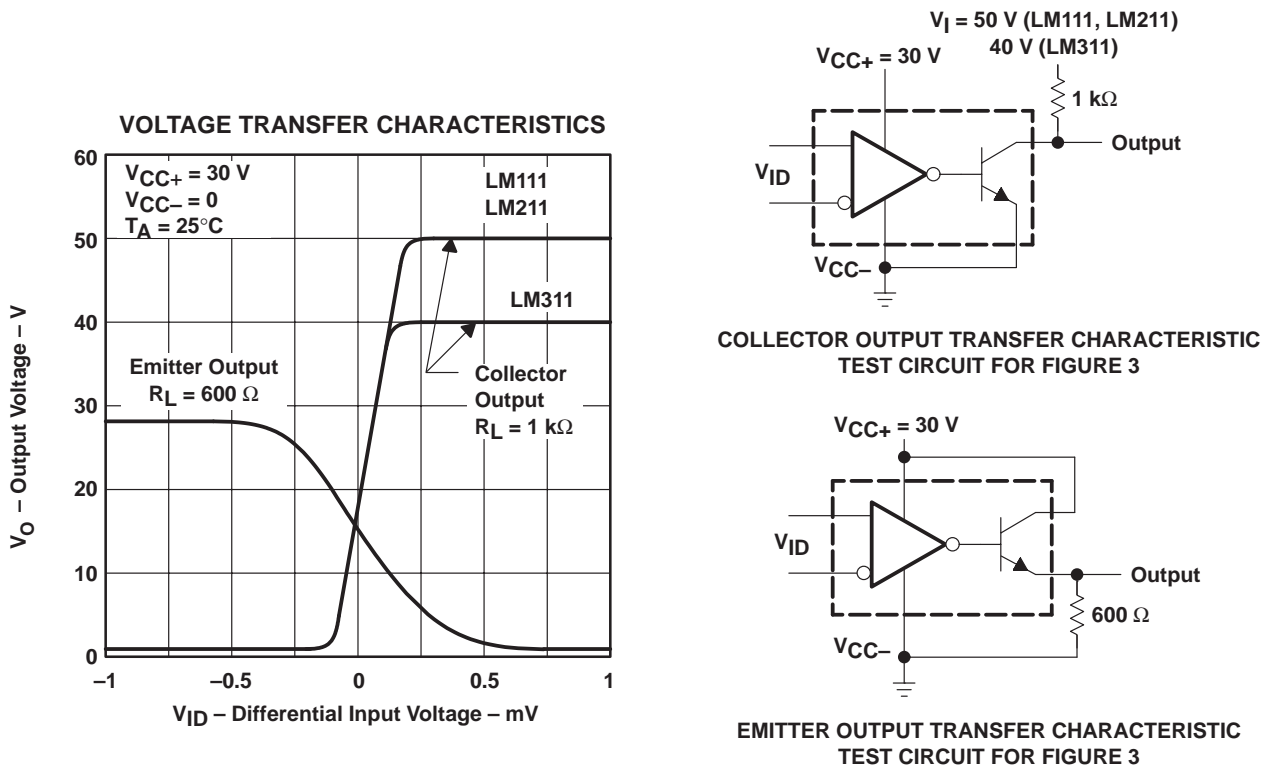


Figure 3

† Data at high and low temperatures are applicable only within the rated operating free-air temperature ranges of the various devices.

# LM111, LM211, LM311 DIFFERENTIAL COMPARATORS WITH STROBES

SLCS007C – SEPTEMBER 1973 – REVISED OCTOBER 2000

## TYPICAL CHARACTERISTICS

OUTPUT RESPONSE FOR  
VARIOUS INPUT OVERDRIVES

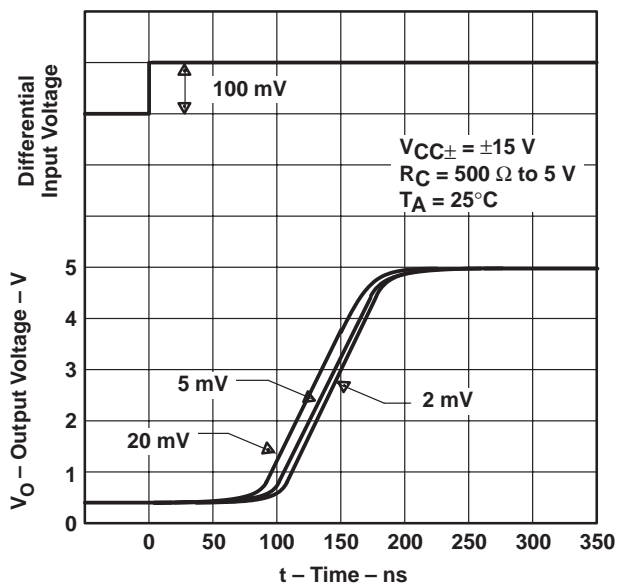


Figure 4

OUTPUT RESPONSE FOR  
VARIOUS INPUT OVERDRIVES

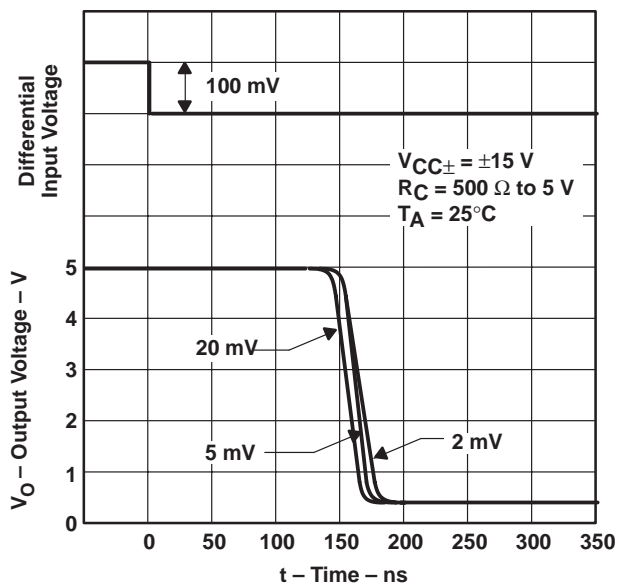
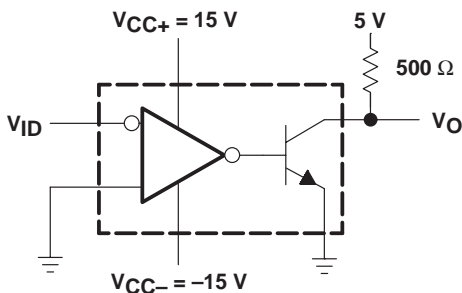


Figure 5



TEST CIRCUIT FOR FIGURES 4 AND 5



TYPICAL CHARACTERISTICS

OUTPUT RESPONSE FOR VARIOUS INPUT OVERDRIVES

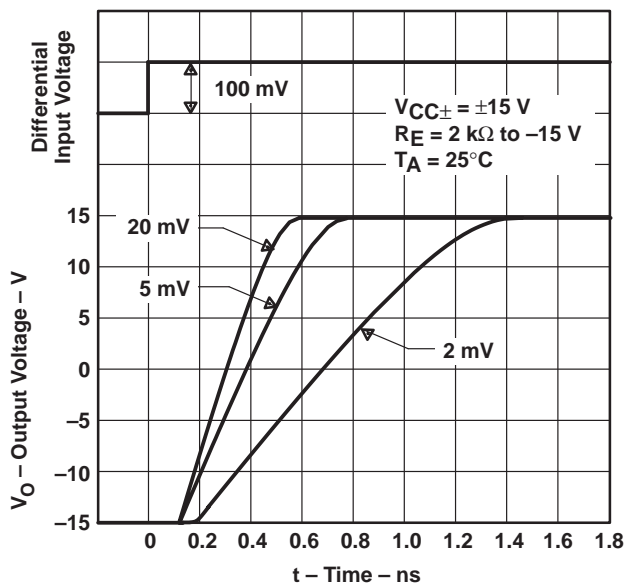


Figure 6

OUTPUT RESPONSE FOR VARIOUS INPUT OVERDRIVES

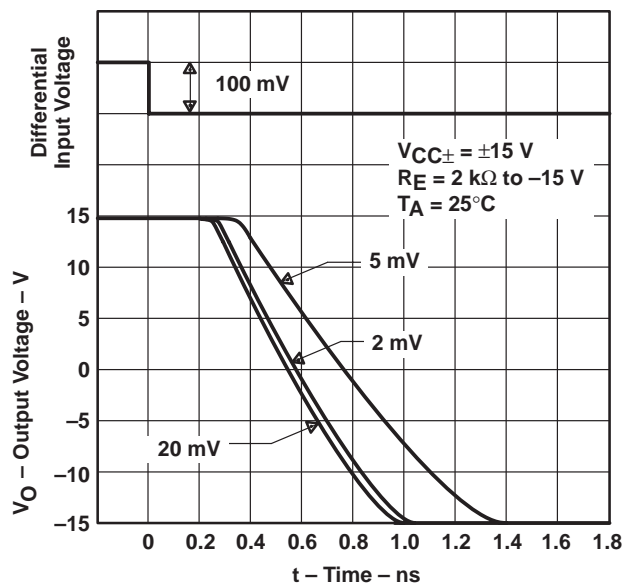
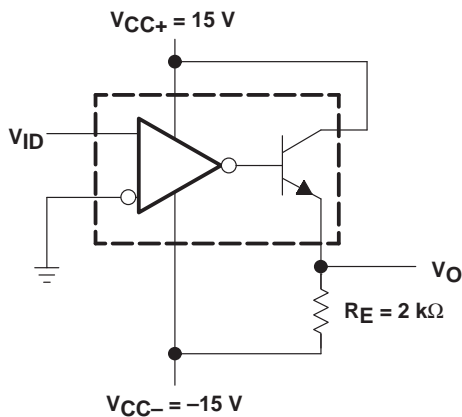


Figure 7



TEST CIRCUIT FOR FIGURES 6 AND 7

# LM111, LM211, LM311 DIFFERENTIAL COMPARATORS WITH STROBES

SLCS007C – SEPTEMBER 1973 – REVISED OCTOBER 2000

## TYPICAL CHARACTERISTICS

OUTPUT CURRENT AND DISSIPATION  
vs  
OUTPUT VOLTAGE

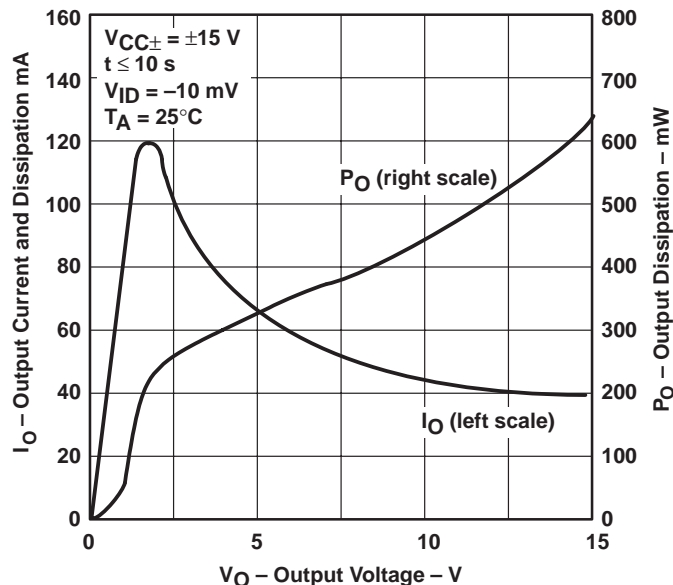


Figure 8

POSITIVE SUPPLY CURRENT  
vs  
POSITIVE SUPPLY VOLTAGE

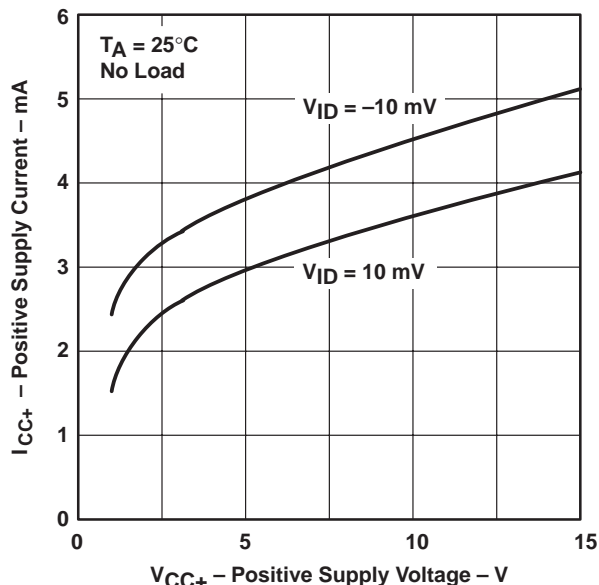


Figure 9

NEGATIVE SUPPLY CURRENT  
vs  
NEGATIVE SUPPLY VOLTAGE

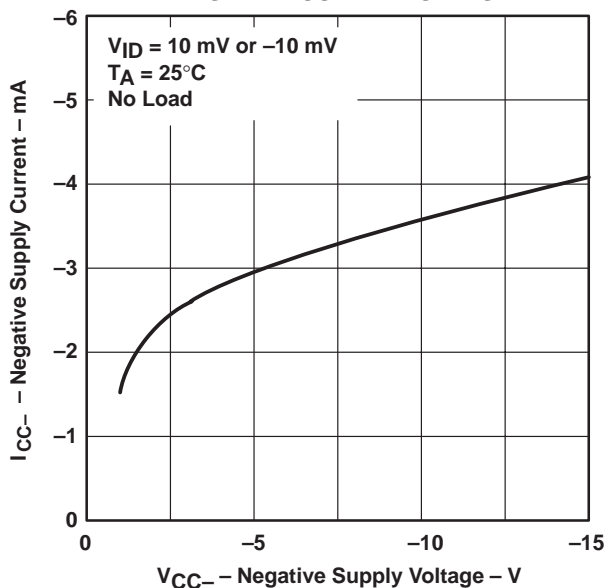


Figure 10



APPLICATION INFORMATION

Figure 11 through Figure 29 show various applications for the LM111, LM211, and LM311 comparators.

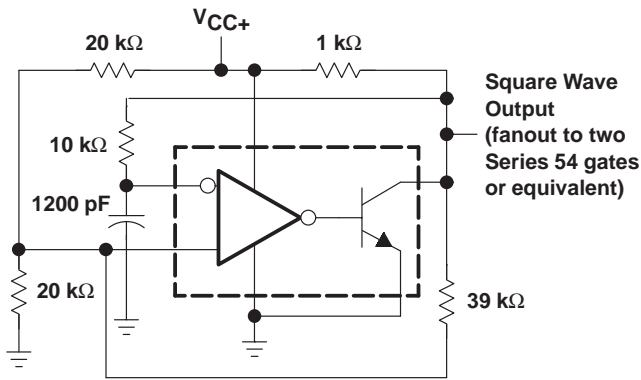


Figure 11. 100-kHz Free-Running Multivibrator

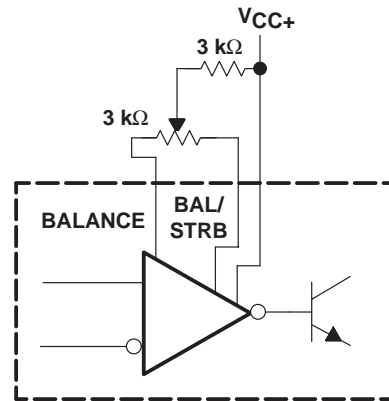


Figure 12. Offset Balancing

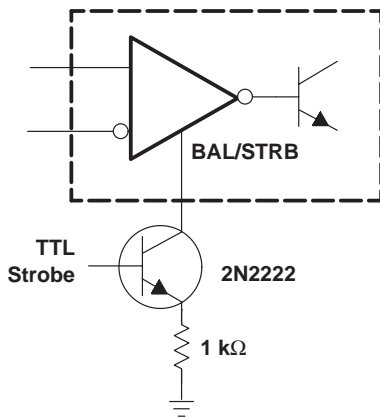


Figure 13. Strobing

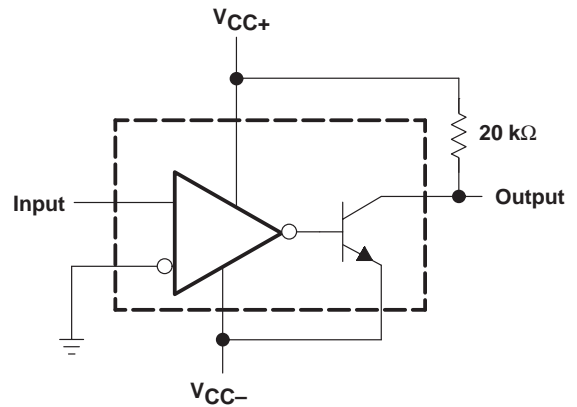
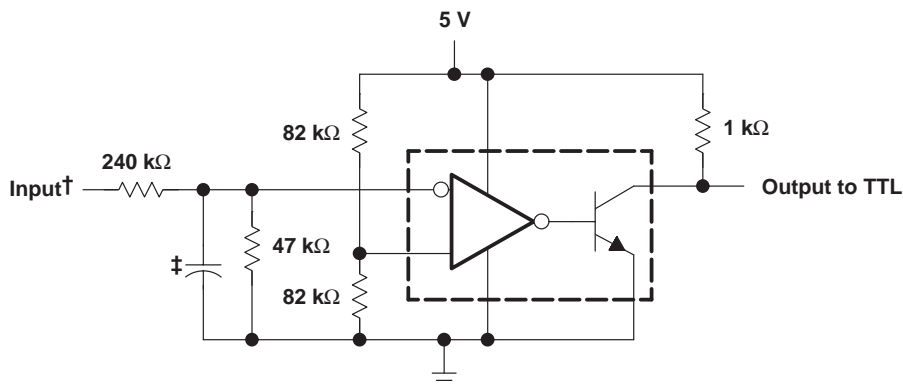


Figure 14. Zero-Crossing Detector

# LM111, LM211, LM311 DIFFERENTIAL COMPARATORS WITH STROBES

SLCS007C – SEPTEMBER 1973 – REVISED OCTOBER 2000

## APPLICATION INFORMATION



† Resistor values shown are for a 0-to-30-V logic swing and a 15-V threshold.  
‡ May be added to control speed and reduce susceptibility to noise spikes.

Figure 15. TTL Interface With High-Level Logic

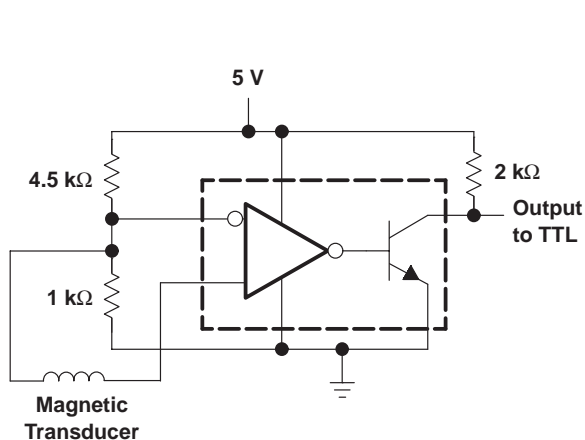


Figure 16. Detector for Magnetic Transducer

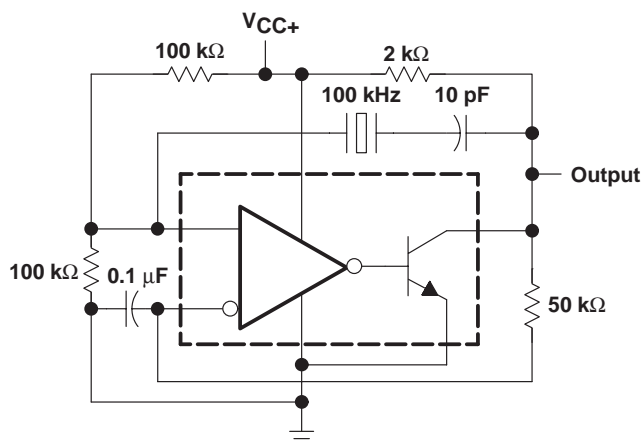


Figure 17. 100-kHz Crystal Oscillator

APPLICATION INFORMATION

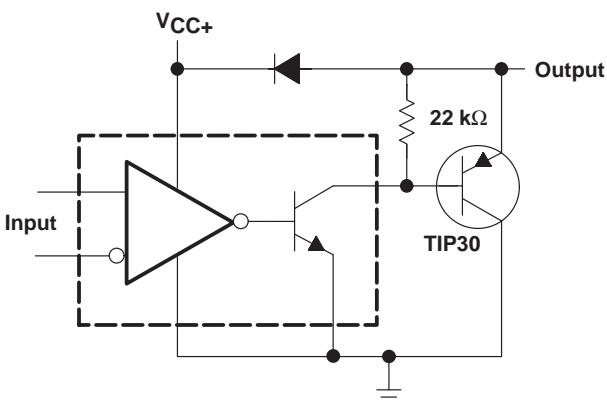
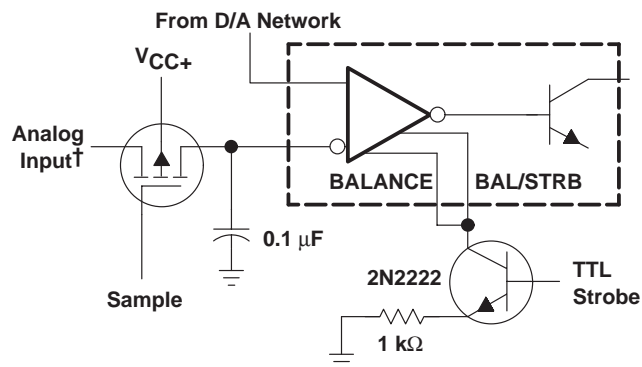


Figure 18. Comparator and Solenoid Driver



†Typical input current is 50 pA with inputs strobed off.

Figure 19. Strobing Both Input and Output Stages Simultaneously

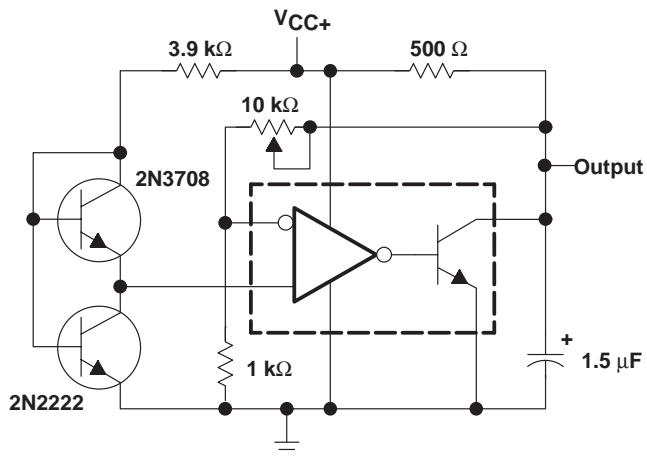


Figure 20. Low-Voltage Adjustable Reference Supply

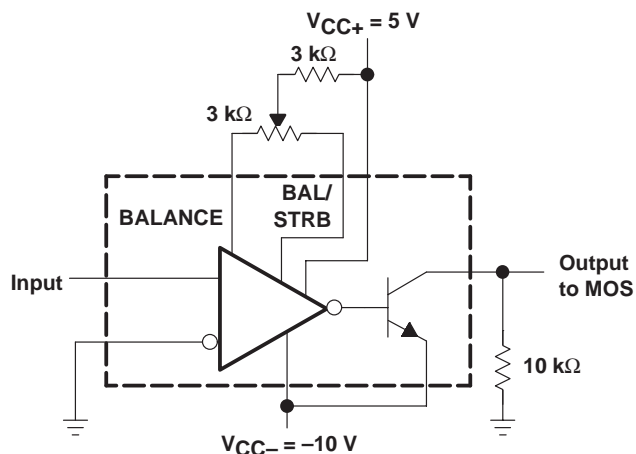
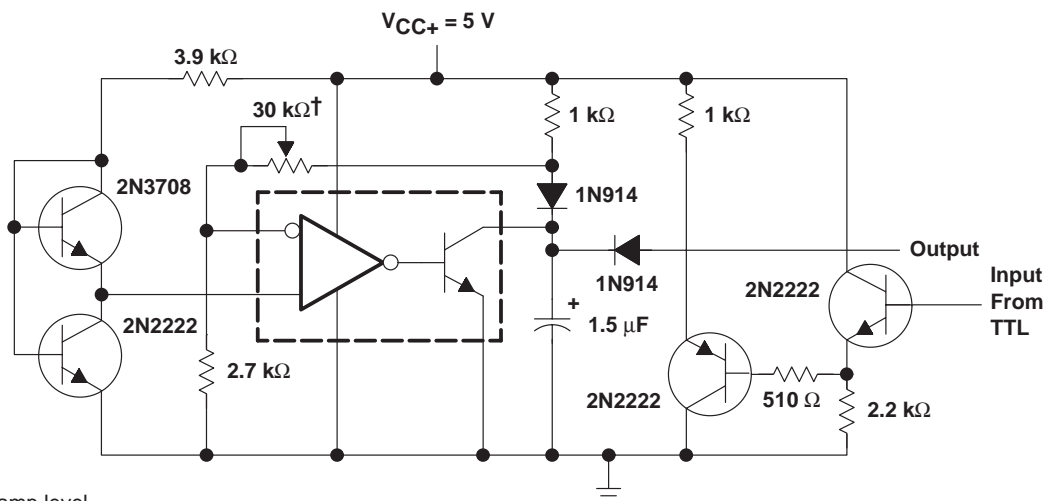


Figure 21. Zero-Crossing Detector Driving MOS Logic

## APPLICATION INFORMATION



† Adjust to set clamp level

Figure 22. Precision Squarer

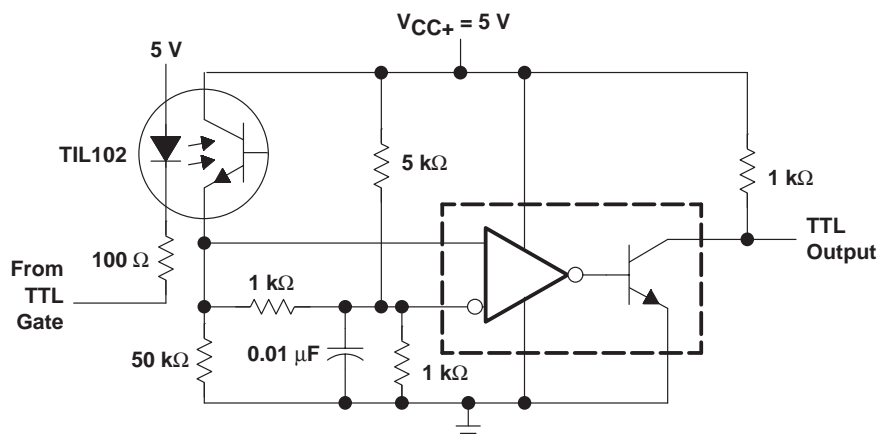


Figure 23. Digital Transmission Isolator

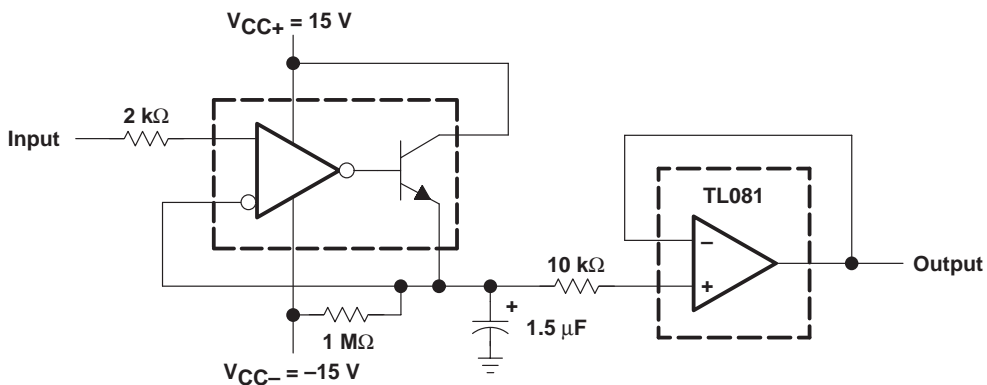


Figure 24. Positive-Peak Detector

APPLICATION INFORMATION

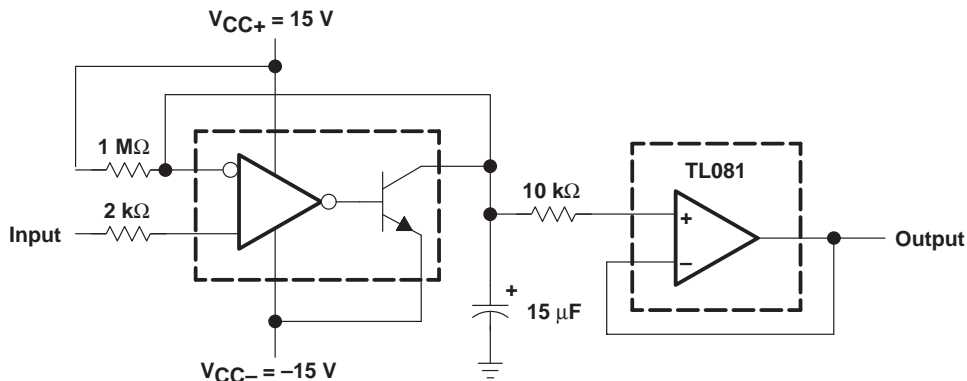
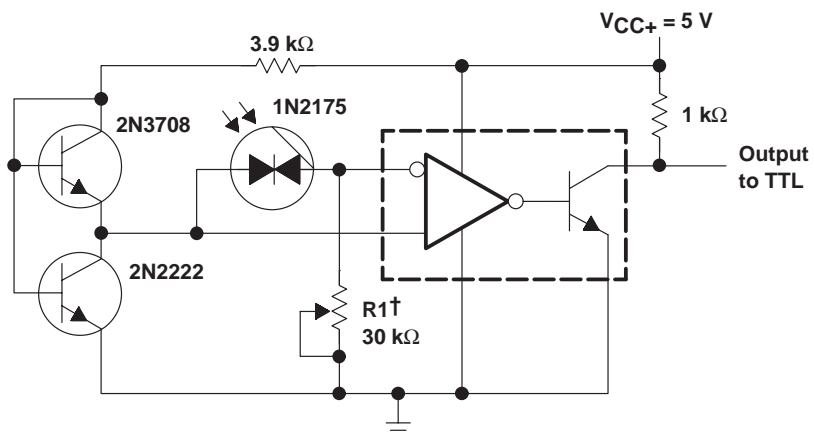
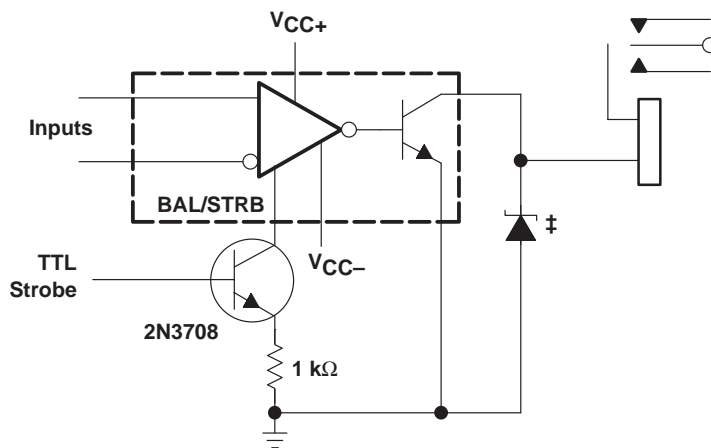


Figure 25. Negative-Peak Detector



† R1 sets the comparison level. At comparison, the photodiode has less than 5 mV across it, decreasing dark current by an order of magnitude.

Figure 26. Precision Photodiode Comparator



‡ Transient voltage and inductive kickback protection

Figure 27. Relay Driver With Strobe

# LM111, LM211, LM311 DIFFERENTIAL COMPARATORS WITH STROBES

SLCS007C – SEPTEMBER 1973 – REVISED OCTOBER 2000

## APPLICATION INFORMATION

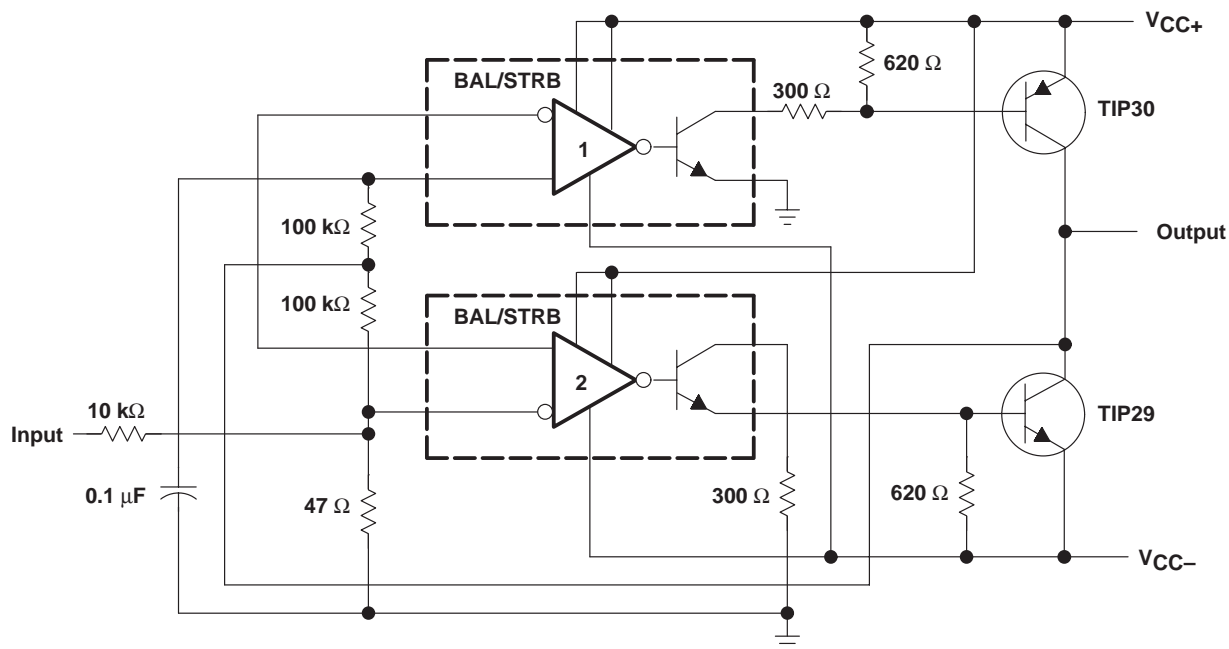


Figure 28. Switching Power Amplifier

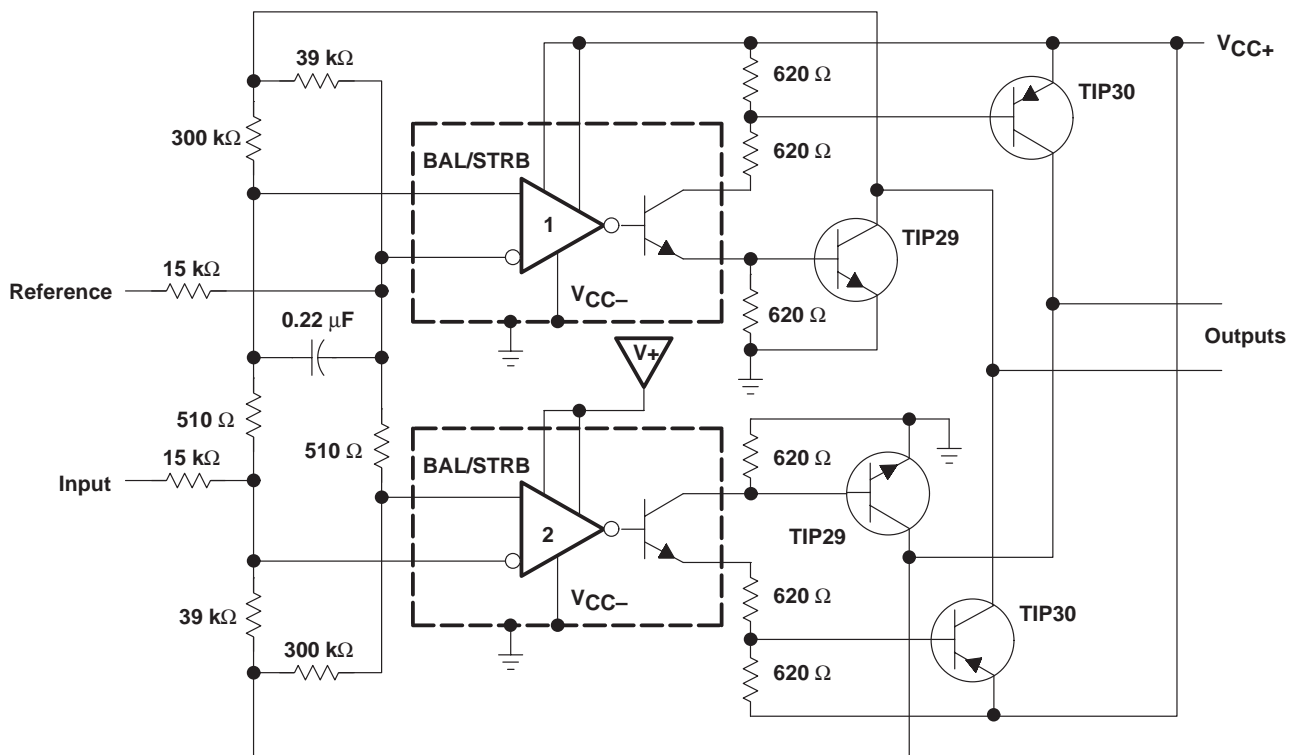


Figure 29. Switching Power Amplifiers



## **IMPORTANT NOTICE**

Texas Instruments and its subsidiaries (TI) reserve the right to make changes to their products or to discontinue any product or service without notice, and advise customers to obtain the latest version of relevant information to verify, before placing orders, that information being relied on is current and complete. All products are sold subject to the terms and conditions of sale supplied at the time of order acknowledgment, including those pertaining to warranty, patent infringement, and limitation of liability.

TI warrants performance of its semiconductor products to the specifications applicable at the time of sale in accordance with TI's standard warranty. Testing and other quality control techniques are utilized to the extent TI deems necessary to support this warranty. Specific testing of all parameters of each device is not necessarily performed, except those mandated by government requirements.

Customers are responsible for their applications using TI components.

In order to minimize risks associated with the customer's applications, adequate design and operating safeguards must be provided by the customer to minimize inherent or procedural hazards.

TI assumes no liability for applications assistance or customer product design. TI does not warrant or represent that any license, either express or implied, is granted under any patent right, copyright, mask work right, or other intellectual property right of TI covering or relating to any combination, machine, or process in which such semiconductor products or services might be or are used. TI's publication of information regarding any third party's products or services does not constitute TI's approval, warranty or endorsement thereof.