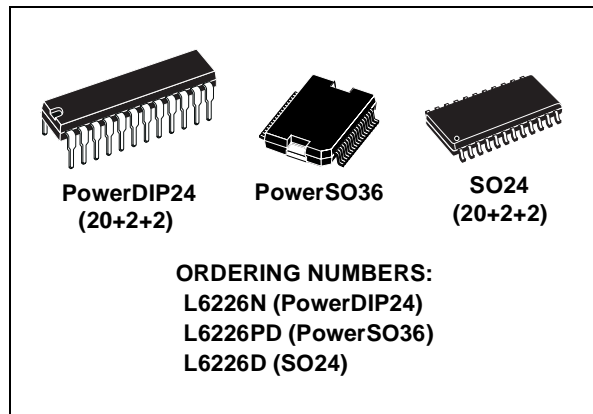


## DMOS DUAL FULL BRIDGE DRIVER

- OPERATING SUPPLY VOLTAGE FROM 8 TO 52V
- 2.8A OUTPUT PEAK CURRENT (1.4A DC)
- $R_{DS(ON)}$  0.73Ω TYP. VALUE @  $T_j = 25\text{ °C}$
- OPERATING FREQUENCY UP TO 100KHz
- PROGRAMMABLE HIGH SIDE OVERCURRENT DETECTION AND PROTECTION
- DIAGNOSTIC OUTPUT
- PARALLELED OPERATION
- CROSS CONDUCTION PROTECTION
- THERMAL SHUTDOWN
- UNDER VOLTAGE LOCKOUT
- INTEGRATED FAST FREE WHEELING DIODES



### TYPICAL APPLICATIONS

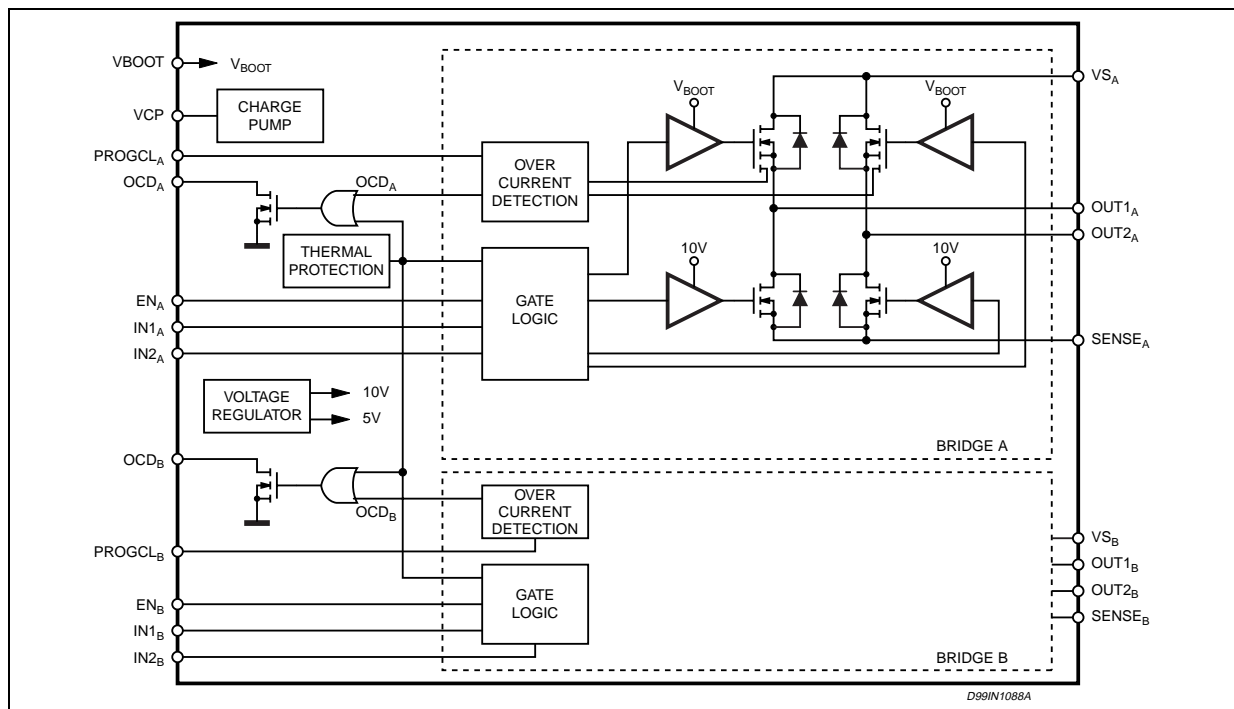
- BIPOLEAR STEPPER MOTOR
- DUAL OR QUAD DC MOTOR

### DESCRIPTION

The L6226 is a DMOS Dual Full Bridge designed for motor control applications, realized in MultiPower-

BCD technology, which combines isolated DMOS Power Transistors with CMOS and bipolar circuits on the same chip. Available in PowerDIP24 (20+2+2), PowerSO36 and SO24 (20+2+2) packages, the L6226 features thermal shutdown and a non-dissipative overcurrent detection on the high side Power MOSFETs plus a diagnostic output that can be easily used to implement the overcurrent protection.

### BLOCK DIAGRAM



**ABSOLUTE MAXIMUM RATINGS**

| Symbol                           | Parameter  | Test conditions  | Value       | Unit |
|----------------------------------|--|--|-------------|------|
| $V_S$                            | Supply Voltage   | $V_{SA} = V_{SB} = V_S$  | 60          | V    |
| $V_{OD}$                         | Differential Voltage between $V_{SA}$ , $OUT1_A$ , $OUT2_A$ , $SENSE_A$ and $V_{SB}$ , $OUT1_B$ , $OUT2_B$ , $SENSE_B$ | $V_{SA} = V_{SB} = V_S = 60V$ ;<br>$V_{SENSE_A} = V_{SENSE_B} = GND$ | 60          | V    |
| $OCD_A, OCD_B$                   | OCD pins Voltage Range   |  | -0.3 to +10 | V    |
| $PROGCL_A$ ,<br>$PROGCL_B$       | PROGCL pins Voltage Range  |  | -0.3 to +7  | V    |
| $V_{BOOT}$                       | Bootstrap Peak Voltage   | $V_{SA} = V_{SB} = V_S$  | $V_S + 10$  | V    |
| $V_{IN}, V_{EN}$                 | Input and Enable Voltage Range   |  | -0.3 to +7  | V    |
| $V_{SENSE_A}$ ,<br>$V_{SENSE_B}$ | Voltage Range at pins $SENSE_A$ and $SENSE_B$  |  | -1 to +4    | V    |
| $I_{S(peak)}$                    | Pulsed Supply Current (for each $V_S$ pin), internally limited by the overcurrent protection                           | $V_{SA} = V_{SB} = V_S$ ;<br>$t_{PULSE} < 1ms$                       | 3.55        | A    |
| $I_S$                            | RMS Supply Current (for each $V_S$ pin)  | $V_{SA} = V_{SB} = V_S$  | 2.8         | A    |
| $T_{stg, TOP}$                   | Storage and Operating Temperature Range  |  | -40 to 150  | °C   |

**RECOMMENDED OPERATING CONDITIONS**

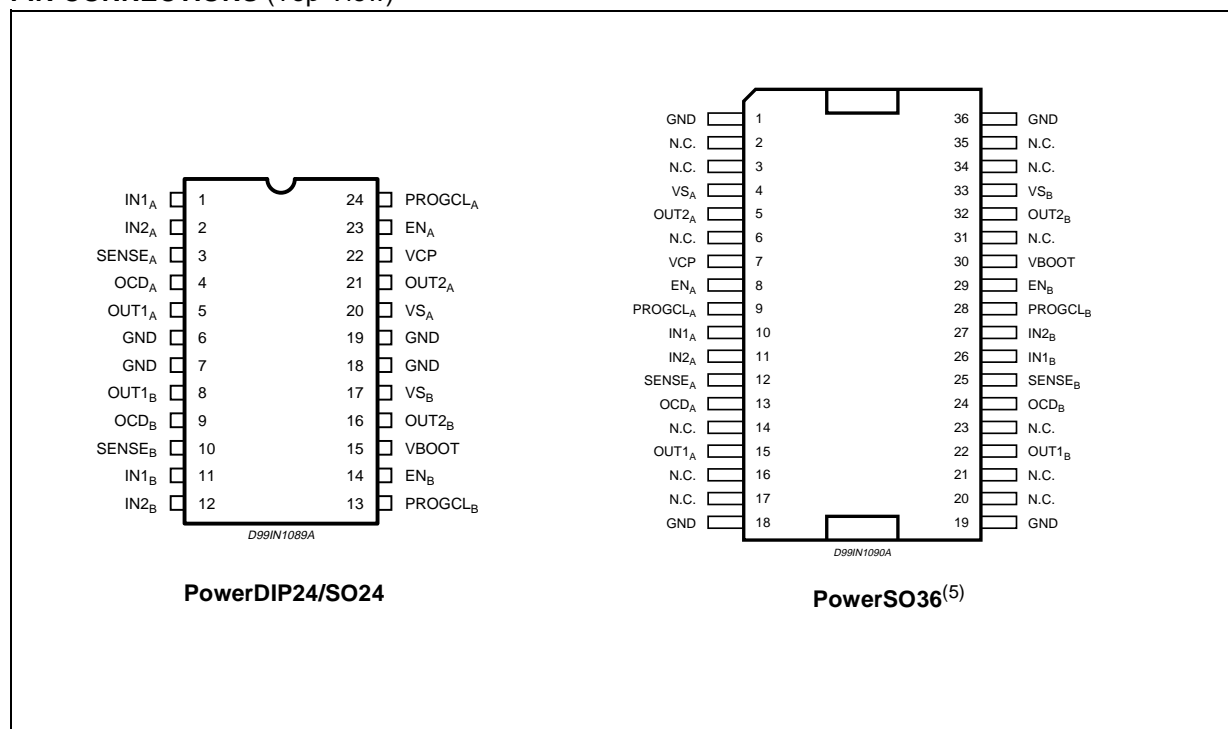
| Symbol                           | Parameter  | Test Conditions  | MIN      | MAX    | Unit   |
|----------------------------------|--|--|----------|--------|--------|
| $V_S$                            | Supply Voltage   | $V_{SA} = V_{SB} = V_S$                                  | 8        | 52     | V      |
| $V_{OD}$                         | Differential Voltage Between $V_{SA}$ , $OUT1_A$ , $OUT2_A$ , $SENSE_A$ and $V_{SB}$ , $OUT1_B$ , $OUT2_B$ , $SENSE_B$ | $V_{SA} = V_{SB} = V_S$ ;<br>$V_{SENSE_A} = V_{SENSE_B}$ |          | 52     | V      |
| $V_{SENSE_A}$ ,<br>$V_{SENSE_B}$ | Voltage Range at pins $SENSE_A$ and $SENSE_B$  | (pulsed $t_W < t_{rr}$ )<br>(DC)                         | -6<br>-1 | 6<br>1 | V<br>V |
| $I_{OUT}$                        | RMS Output Current   |  |          | 1.4    | A      |
| $T_j$                            | Operating Junction Temperature   |  | -25      | +125   | °C     |
| $f_{sw}$                         | Switching Frequency  |  |          | 100    | KHz    |

## THERMAL DATA

| Symbol          | Description  | PowerDIP24 | SO24 | PowerSO36 | Unit |
|-----------------|--|------------|------|-----------|------|
| $R_{th-j-pins}$ | Maximum Thermal Resistance Junction-Pins                 | 19         | 15   | -         | °C/W |
| $R_{th-j-case}$ | Maximum Thermal Resistance Junction-Case                 | -          | -    | 2         | °C/W |
| $R_{th-j-amb1}$ | Maximum Thermal Resistance Junction-Ambient <sup>1</sup> | 44         | 52   | -         | °C/W |
| $R_{th-j-amb1}$ | Maximum Thermal Resistance Junction-Ambient <sup>2</sup> | -          | -    | 36        | °C/W |
| $R_{th-j-amb1}$ | Maximum Thermal Resistance Junction-Ambient <sup>3</sup> | -          | -    | 16        | °C/W |
| $R_{th-j-amb2}$ | Maximum Thermal Resistance Junction-Ambient <sup>4</sup> | 59         | 78   | 63        | °C/W |

- (1) Mounted on a multi-layer FR4 PCB with a dissipating copper surface on the bottom side of 6 cm<sup>2</sup> (with a thickness of 35 μm).  
(2) Mounted on a multi-layer FR4 PCB with a dissipating copper surface on the top side of 6 cm<sup>2</sup> (with a thickness of 35 μm).  
(3) Mounted on a multi-layer FR4 PCB with a dissipating copper surface on the top side of 6 cm<sup>2</sup> (with a thickness of 35 μm), 16 via holes and a ground layer.  
(4) Mounted on a multi-layer FR4 PCB without any heat sinking surface on the board.

## PIN CONNECTIONS (Top View)



(5) The slug is internally connected to pins 1,18,19 and 36 (GND pins).

## PIN DESCRIPTION

| PACKAGE             |                  | Name                | Type              | Function  |
|---------------------|------------------|---------------------|-------------------|---|
| SO24/<br>PowerDIP24 | PowerSO36        |                     |                   |   |
| PIN #               | PIN #            |                     |                   |   |
| 1                   | 10               | IN1 <sub>A</sub>    | Logic input       | Bridge A Logic Input 1.   |
| 2                   | 11               | IN2 <sub>A</sub>    | Logic input       | Bridge A Logic Input 2.   |
| 3                   | 12               | SENSE <sub>A</sub>  | Power Supply      | Bridge A Source Pin. This pin must be connected to Power Ground directly or through a sensing power resistor.   |
| 4                   | 13               | OCD <sub>A</sub>    | Open Drain Output | Bridge A Overcurrent Detection and thermal protection pin. An internal open drain transistor pulls to GND when overcurrent on bridge A is detected or in case of thermal protection.  |
| 5                   | 15               | OUT1 <sub>A</sub>   | Power Output      | Bridge A Output 1.  |
| 6, 7,<br>18, 19     | 1, 18,<br>19, 36 | GND                 | GND               | Signal Ground terminals. In Power DIP and SO packages, these pins are also used for heat dissipation toward the PCB.  |
| 8                   | 22               | OUT1 <sub>B</sub>   | Power Output      | Bridge B Output 1.  |
| 9                   | 24               | OCD <sub>B</sub>    | Open Drain Output | Bridge B Overcurrent Detection and thermal protection pin. An internal open drain transistor pulls to GND when overcurrent on bridge B is detected or in case of thermal protection.  |
| 10                  | 25               | SENSE <sub>B</sub>  | Power Supply      | Bridge B Source Pin. This pin must be connected to Power Ground directly or through a sensing power resistor.   |
| 11                  | 26               | IN1 <sub>B</sub>    | Logic Input       | Bridge B Input 1  |
| 12                  | 27               | IN2 <sub>B</sub>    | Logic Input       | Bridge B Input 2  |
| 13                  | 28               | PROGCL <sub>B</sub> | R Pin             | Bridge B Overcurrent Level Programming. A resistor connected between this pin and Ground sets the programmable current limiting value for the bridge B. By connecting this pin to Ground the maximum current is set. This pin cannot be left non-connected. |
| 14                  | 29               | EN <sub>B</sub>     | Logic Input       | Bridge B Enable. LOW logic level switches OFF all Power MOSFETs of Bridge B. If not used, it has to be connected to +5V.  |
| 15                  | 30               | VBOOT               | Supply Voltage    | Bootstrap Voltage needed for driving the upper Power MOSFETs of both Bridge A and Bridge B.   |
| 16                  | 32               | OUT2 <sub>B</sub>   | Power Output      | Bridge B Output 2.  |
| 17                  | 33               | VS <sub>B</sub>     | Power Supply      | Bridge B Power Supply Voltage. It must be connected to the supply voltage together with pin VS <sub>A</sub> .   |
| 20                  | 4                | VS <sub>A</sub>     | Power Supply      | Bridge A Power Supply Voltage. It must be connected to the supply voltage together with pin VS <sub>B</sub> .   |
| 21                  | 5                | OUT2 <sub>A</sub>   | Power Output      | Bridge A Output 2.  |

## PIN DESCRIPTION (continued)

| PACKAGE             |           | Name                | Type        | Function  |
|---------------------|-----------|---------------------|-------------|---|
| SO24/<br>PowerDIP24 | PowerSO36 |                     |             |   |
| PIN #               | PIN #     |                     |             |   |
| 22                  | 7         | VCP                 | Output      | Charge Pump Oscillator Output.  |
| 23                  | 8         | EN <sub>A</sub>     | Logic Input | Bridge A Enable. LOW logic level switches OFF all Power MOSFETs of Bridge A.<br>If not used, it has to be connected to +5V.   |
| 24                  | 9         | PROGCL <sub>A</sub> | R Pin       | Bridge A Overcurrent Level Programming. A resistor connected between this pin and Ground sets the programmable current limiting value for the bridge A. By connecting this pin to Ground the maximum current is set. This pin cannot be left non-connected. |

## ELECTRICAL CHARACTERISTICS

(T<sub>amb</sub> = 25 °C, V<sub>S</sub> = 48V, unless otherwise specified)

| Symbol                | Parameter                    | Test Conditions  | Min | Typ | Max | Unit |
|-----------------------|------------------------------|--|-----|-----|-----|------|
| V <sub>Sth(ON)</sub>  | Turn-on Threshold            |  | 5.8 | 6.3 | 6.8 | V    |
| V <sub>Sth(OFF)</sub> | Turn-off Threshold           |  | 5   | 5.5 | 6   | V    |
| I <sub>S</sub>        | Quiescent Supply Current     | All Bridges OFF;<br>T <sub>j</sub> = -25°C to 125°C <sup>(6)</sup> |     | 5   | 10  | mA   |
| T <sub>j(OFF)</sub>   | Thermal Shutdown Temperature |  |     | 165 |     | °C   |

## Output DMOS Transistors

|                     |   |  |      |      |      |    |
|---------------------|---|--|------|------|------|----|
| R <sub>DS(ON)</sub> | High-Side + Low-Side Switch ON Resistance | T <sub>j</sub> = 25 °C                 |      | 1.47 | 1.69 | Ω  |
|                     |   | T <sub>j</sub> = 125 °C <sup>(6)</sup> |      | 2.35 | 2.70 | Ω  |
| I <sub>DSS</sub>    | Leakage Current                           | EN = Low; OUT = V <sub>S</sub>         |      |      | 2    | mA |
|                     |   | EN = Low; OUT = GND                    | -0.3 |      |      | mA |

## Source Drain Diodes

|                 |                       |                                  |  |      |     |    |
|-----------------|-----------------------|----------------------------------|--|------|-----|----|
| V <sub>SD</sub> | Forward ON Voltage    | I <sub>SD</sub> = 2.8A, EN = LOW |  | 1.15 | 1.3 | V  |
| t <sub>rr</sub> | Reverse Recovery Time | I <sub>f</sub> = 1.4A            |  | 300  |     | ns |
| t <sub>fr</sub> | Forward Recovery Time |                                  |  | 200  |     | ns |

## Logic Input

|                     |                                |                         |      |     |     |    |
|---------------------|--------------------------------|-------------------------|------|-----|-----|----|
| V <sub>IL</sub>     | Low level logic input voltage  |                         | -0.3 |     | 0.8 | V  |
| V <sub>IH</sub>     | High level logic input voltage |                         | 2    |     | 7   | V  |
| I <sub>IL</sub>     | Low Level Logic Input Current  | GND Logic Input Voltage | -10  |     |     | μA |
| I <sub>IH</sub>     | High Level Logic Input Current | 7V Logic Input Voltage  |      |     | 10  | μA |
| V <sub>th(ON)</sub> | Turn-on Input Threshold        |                         |      | 1.8 | 2.0 | V  |

**ELECTRICAL CHARACTERISTICS** (continued)(T<sub>amb</sub> = 25 °C, V<sub>S</sub> = 48V, unless otherwise specified)

| Symbol               | Parameter                  | Test Conditions | Min  | Typ | Max | Unit |
|----------------------|----------------------------|-----------------|------|-----|-----|------|
| V <sub>th(OFF)</sub> | Turn-off Input Threshold   |                 | 0.8  | 1.3 |     | V    |
| V <sub>th(HYS)</sub> | Input Threshold Hysteresis |                 | 0.25 | 0.5 |     | V    |

**Switching Characteristics**

|                       |  |  |     |     |      |     |
|-----------------------|--|--|-----|-----|------|-----|
| t <sub>D(on)EN</sub>  | Enable to out turn ON delay time <sup>(8)</sup>  | I <sub>LOAD</sub> = 1.4A, Resistive Load                         | 500 |     | 800  | ns  |
| t <sub>D(on)IN</sub>  | Input to out turn ON delay time                  | I <sub>LOAD</sub> = 1.4A, Resistive Load<br>(dead time included) |     | 1.9 |      | µs  |
| t <sub>RISE</sub>     | Output rise time <sup>(8)</sup>                  | I <sub>LOAD</sub> = 1.4A, Resistive Load                         | 40  |     | 250  | ns  |
| t <sub>D(off)EN</sub> | Enable to out turn OFF delay time <sup>(8)</sup> | I <sub>LOAD</sub> = 1.4A, Resistive Load                         | 500 | 800 | 1000 | ns  |
| t <sub>D(off)IN</sub> | Input to out turn OFF delay time                 | I <sub>LOAD</sub> = 1.4A, Resistive Load                         | 500 | 800 | 1000 | ns  |
| t <sub>FALL</sub>     | Output Fall Time <sup>(8)</sup>                  | I <sub>LOAD</sub> = 1.4A, Resistive Load                         | 40  |     | 250  | ns  |
| t <sub>dt</sub>       | Dead Time Protection                             |  | 0.5 | 1   |      | µs  |
| f <sub>CP</sub>       | Charge pump frequency                            | -25°C < T <sub>j</sub> < 125°C                                   |     | 0.6 | 1    | MHz |

**Over Current Detection**

|                       |   |  |                      |                     |                      |             |
|-----------------------|---|--|----------------------|---------------------|----------------------|-------------|
| I <sub>s over</sub>   | Input Supply Over Current Detection Threshold | -25°C < T <sub>j</sub> < 125 °C; RCL= 39 kΩ<br>-25°C < T <sub>j</sub> < 125 °C; RCL= 5 kΩ<br>-25°C < T <sub>j</sub> < 125 °C; RCL= GND | -10%<br>-10%<br>-30% | 0.29<br>2.21<br>2.8 | +10%<br>+10%<br>+30% | A<br>A<br>A |
| R <sub>OPDR</sub>     | Open Drain ON Resistance                      | I = 4mA  |                      | 40                  | 60                   | Ω           |
| t <sub>OCD(ON)</sub>  | OCD Turn-on Delay Time (8)                    | I = 4mA; C <sub>EN</sub> < 100pF   |                      | 200                 |                      | ns          |
| t <sub>OCD(OFF)</sub> | OCD Turn-off Delay Time (8)                   | I = 4mA; C <sub>EN</sub> < 100pF   |                      | 100                 |                      | ns          |

(6) Tested at 25°C in a restricted range and guaranteed by characterization.

(7) See Fig. 1.

(8) See Fig. 2.

Figure 1. Switching Characteristic Definition

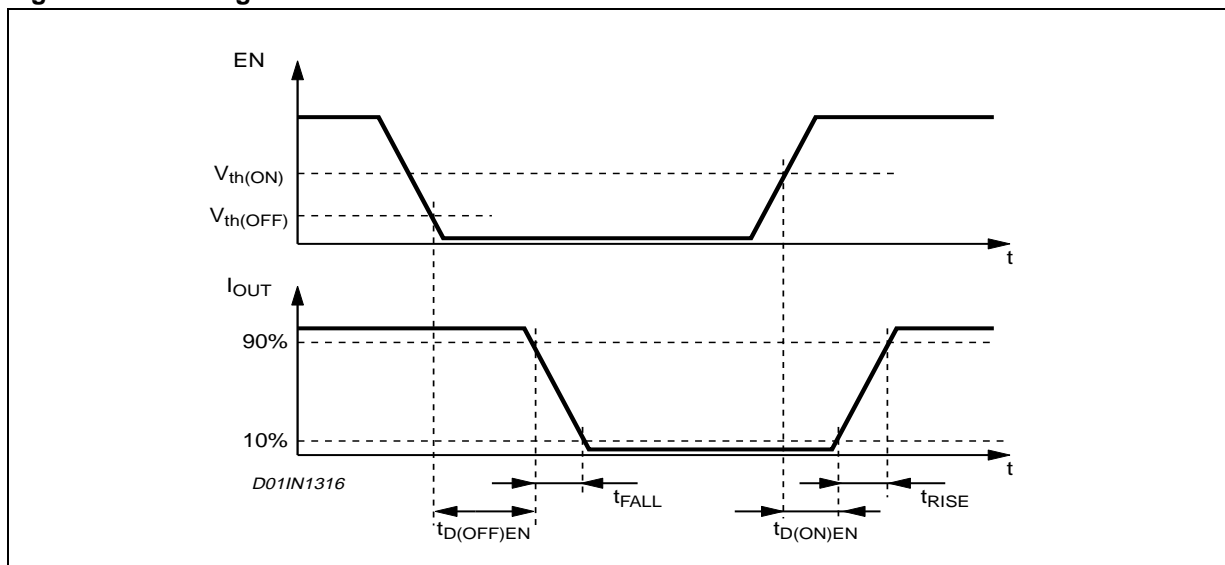
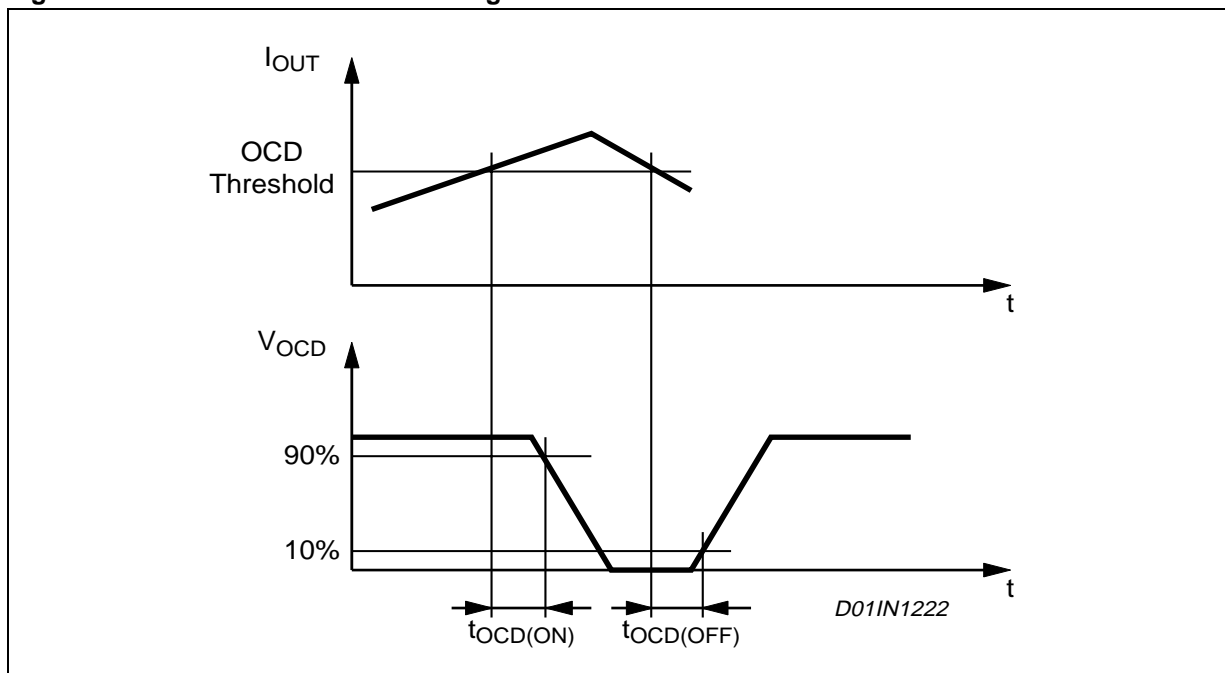


Figure 2. Overcurrent Detection Timing Definition



**CIRCUIT DESCRIPTION**

**POWER STAGES and CHARGE PUMP**

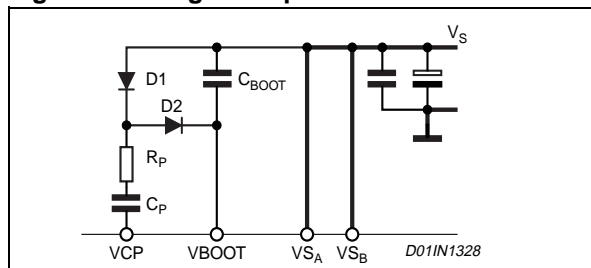
The L6226 integrates two independent Power MOS Full Bridges. Each Power MOS has an  $R_{dson}=0.73\Omega$  (typical value @ 25°C), with intrinsic fast freewheeling diode. Cross conduction protection is achieved using a dead time ( $t_d = 1\mu s$  typical) between the switch off and switch on of two Power MOS in one leg of a bridge.

Using N Channel Power MOS for the upper transistors in the bridge requires a gate drive voltage above the power supply voltage. The Bootstrapped (Vboot) supply is obtained through an internal Oscillator and few external components to realize a charge pump circuit as shown in Figure 3. The oscillator output (VCP) is a square wave at 600kHz (typical) with 10V amplitude. Recommended values/part numbers for the charge pump circuit are shown in Table1.

**Table 1. Charge Pump External Components Values**

|       |        |
|-------|--------|
| CBOOT | 220nF  |
| CP    | 10nF   |
| RP    | 100Ω   |
| D1    | 1N4148 |
| D2    | 1N4148 |

**Figure 3. Charge Pump Circuit**



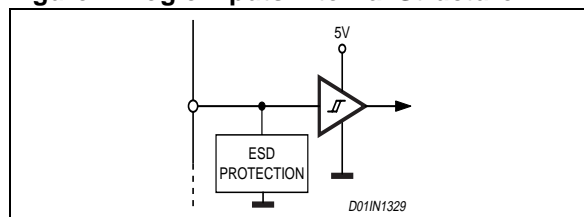
**LOGIC INPUTS**

Pins IN1A, IN2A, IN1B, IN2B, ENA and ENB are TTL/CMOS and uC compatible logic inputs. The internal structure is shown in Fig. 4. Typical value for turn-on and turn-off thresholds are respectively  $V_{thon}=1.8V$  and  $V_{thoff} = 1.3V$ .

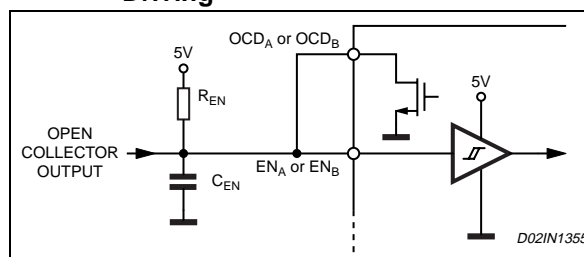
Pins ENA and ENB are commonly used to implement Overcurrent and Thermal protection by connecting them respectively to the outputs  $OCD_A$  and  $OCD_B$ , which are open-drain outputs. If that type of connection is chosen, some care needs to be taken in driving

these pins. Two configurations are shown in Fig. 5 and Fig. 6. If driven by an open drain (collector) structure, a pull-up resistor  $R_{EN}$  and a capacitor  $C_{EN}$  are connected as shown in Fig. 5. If the driver is a standard Push-Pull structure the resistor  $R_{EN}$  and the capacitor  $C_{EN}$  are connected as shown in Fig. 6. The resistor  $R_{EN}$  should be chosen in the range from 2.2kΩ to 180KΩ. Recommended values for  $R_{EN}$  and  $C_{EN}$  are respectively 100KΩ and 5.6nF. More information on selecting the values is found in the Overcurrent Protection section.

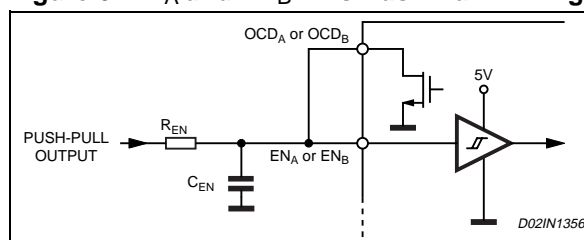
**Figure 4. Logic Inputs Internal Structure**



**Figure 5. ENA and ENB Pins Open Collector Driving**



**Figure 6. ENA and ENB Pins Push-Pull Driving**



**TRUTH TABLE**

| INPUTS |     |     | OUTPUTS |        |
|--------|-----|-----|---------|--------|
| EN     | IN1 | IN2 | OUT1    | OUT2   |
| L      | X   | X   | High Z  | High Z |
| H      | L   | L   | GND     | GND    |
| H      | H   | L   | Vs      | GND    |
| H      | L   | H   | GND     | Vs     |
| H      | H   | H   | Vs      | Vs     |

X = Don't care  
High Z = High Impedance Output



## NON-DISSIPATIVE OVERCURRENT DETECTION AND PROTECTION

In addition to the PWM current control, an overcurrent detection circuit (OCD) is integrated. This circuit can be used to provide protection against a short circuit to ground or between two phases of the bridge as well as a rough regulation of the load current. With this internal over current detection, the external current sense resistor normally used and its associated power dissipation are eliminated. Fig. 7 shows a simplified schematic of the overcurrent detection circuit for the Bridge A. Bridge B is provided of an analogous circuit.

To implement the over current detection, a sensing element that delivers a small but precise fraction of the output current is implemented with each high side power MOS. Since this current is a small fraction of the output current there is very little additional power dissipation. This current is compared with an internal reference current  $I_{REF}$ . When the output current reaches the detection threshold  $I_{OVER}$  the OCD comparator signals a fault condition. When a fault condition is detected, an internal open drain MOS with a pull down capability of 4mA connected to OCD pin is turned on. Fig. 8 shows the OCD operation.

This signal can be used to regulate the output current simply by connecting the OCD pin to EN pin and adding an external R-C as shown in Fig.7. The off time before recovering normal operation can be easily programmed by means of the accurate thresholds of the logic inputs.

$I_{REF}$  and, therefore, the output current detection threshold are selectable by  $R_{CL}$  value, following the equations:

- $I_{OVER} = 2.8A \pm 30\%$  at  $-25^{\circ}C < T_j < 125^{\circ}C$  if  $R_{CL} = 0\Omega$  (PROGCL connected to GND)
- $I_{OVER} = \frac{11050}{R_{CL}} \pm 10\%$  at  $-25^{\circ}C < T_j < 125^{\circ}C$  if  $5K\Omega < R_C < 40k\Omega$

Fig. 9 shows the output current protection threshold versus  $R_{CL}$  value in the range 5k $\Omega$  to 40k $\Omega$ .

The Disable Time  $t_{DISABLE}$  before recovering normal operation can be easily programmed by means of the accurate thresholds of the logic inputs. It is affected whether by  $C_{EN}$  and  $R_{EN}$  values and its magnitude is reported in Figure 10. The Delay Time  $t_{DELAY}$  before turning off the bridge when an overcurrent has been detected depends only by  $C_{EN}$  value. Its magnitude is reported in Figure 11.

$C_{EN}$  is also used for providing immunity to pin EN against fast transient noises. Therefore the value of  $C_{EN}$  should be chosen as big as possible according to the maximum tolerable Delay Time and the  $R_{EN}$  value should be chosen according to the desired Disable Time.

The resistor  $R_{EN}$  should be chosen in the range from 2.2K $\Omega$  to 180K $\Omega$ . Recommended values for  $R_{EN}$  and  $C_{EN}$  are respectively 100K $\Omega$  and 5.6nF that allow obtaining 200 $\mu$ s Disable Time.

Figure 7. Overcurrent Protection Simplified Schematic

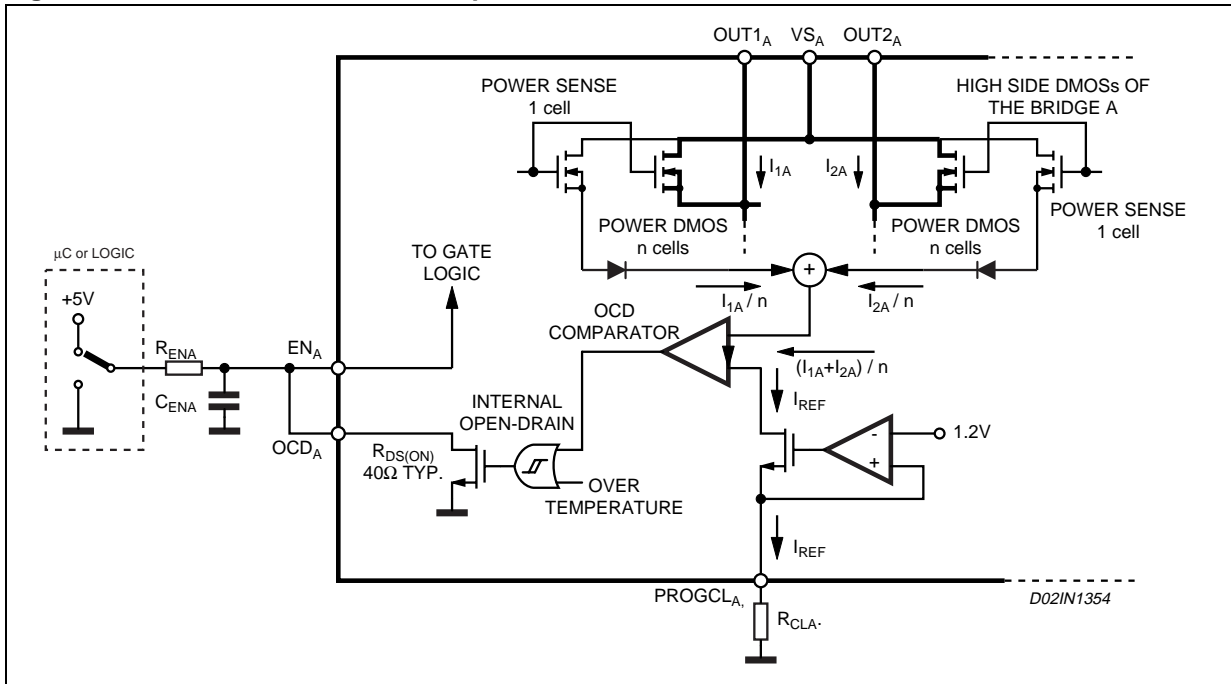


Figure 8. Overcurrent Protection Waveforms

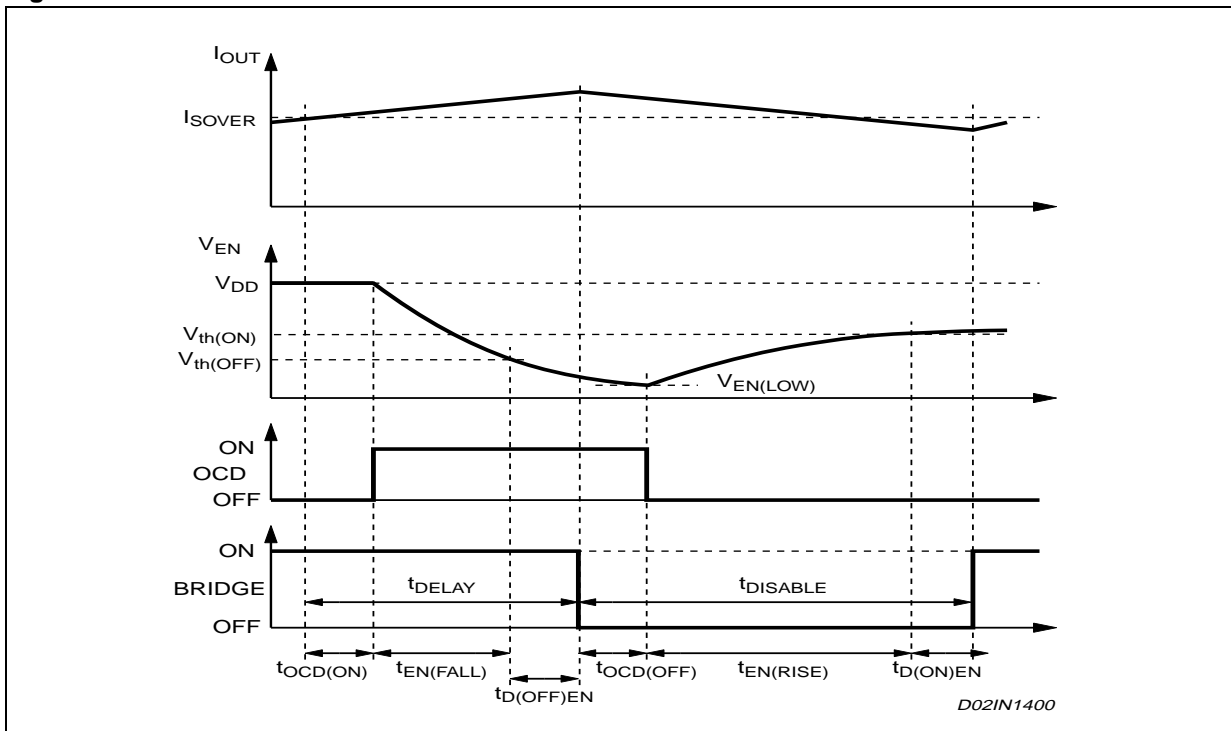


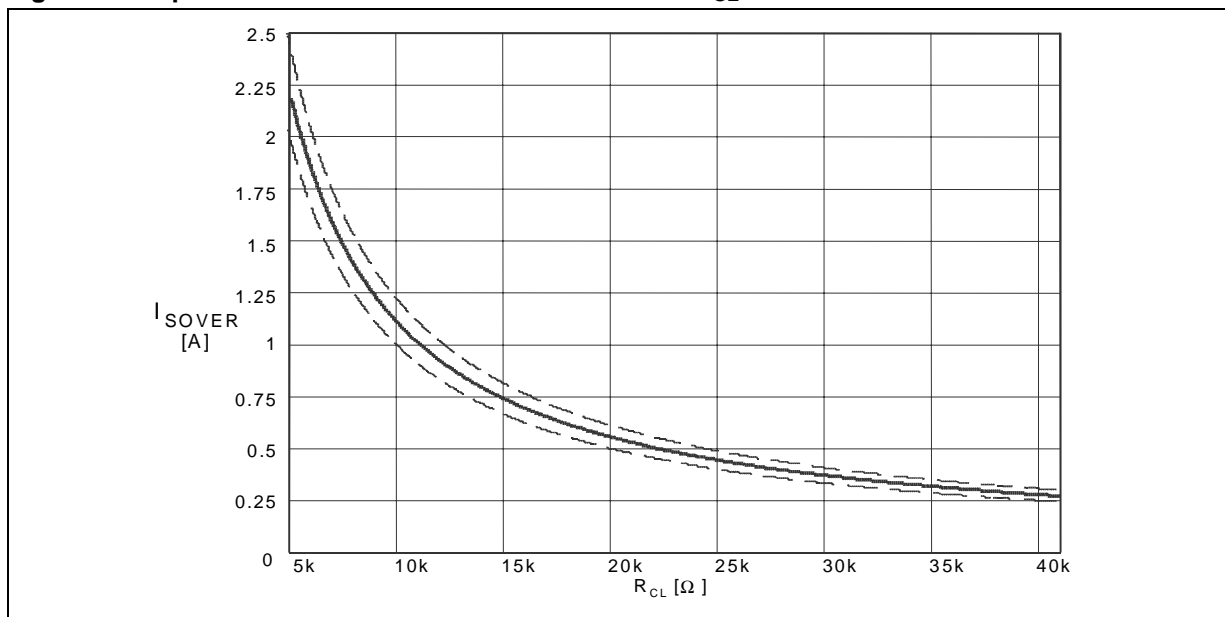
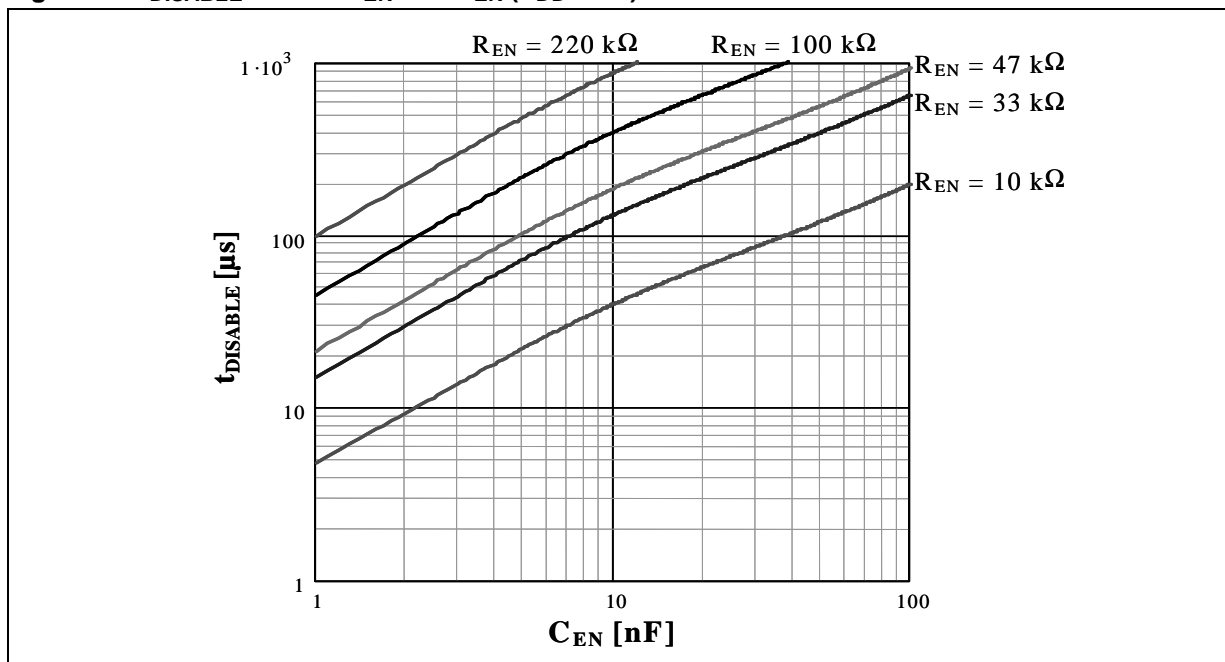
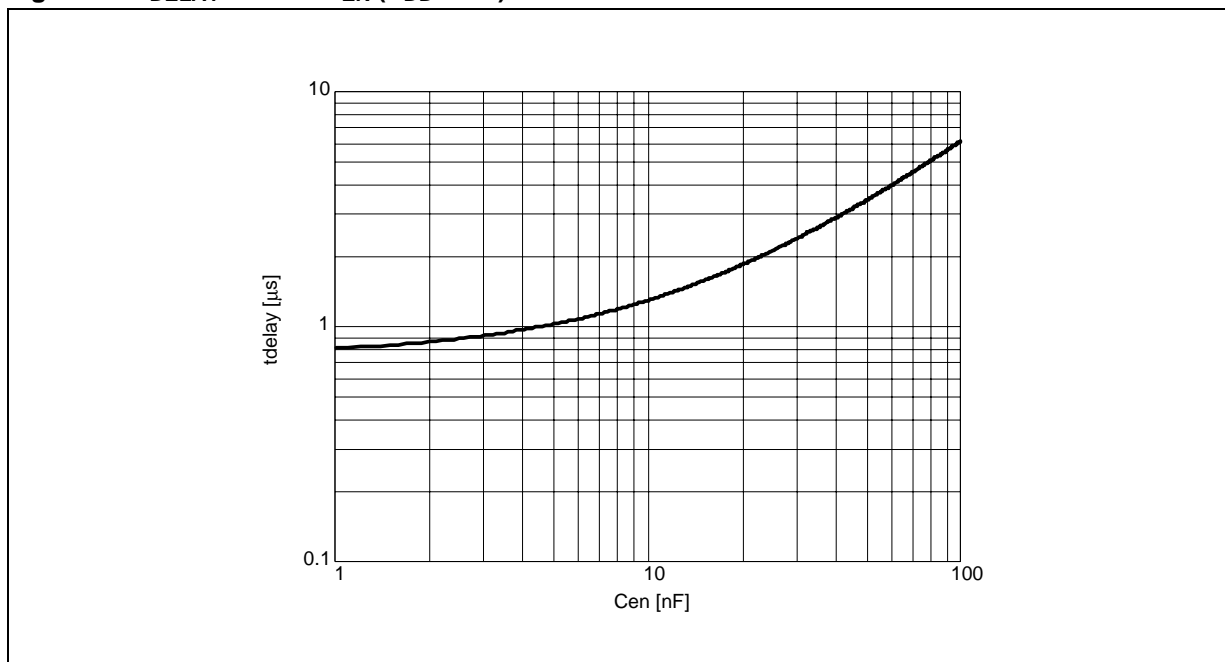
Figure 9. Output Current Protection Threshold versus  $R_{CL}$  ValueFigure 10.  $t_{DISABLE}$  versus  $C_{EN}$  and  $R_{EN}$  ( $V_{DD} = 5V$ ).

Figure 11.  $t_{\text{DELAY}}$  versus  $C_{\text{EN}}$  ( $V_{\text{DD}} = 5\text{V}$ ).

### THERMAL PROTECTION

In addition to the Overcurrent Detection, the L6226 integrates a Thermal Protection for preventing the device destruction in case of junction over temperature. It works sensing the die temperature by means of a sensible element integrated in the die. The device switch-off when the junction temperature reaches 165°C (typ. value) with 15°C hysteresis (typ. value).

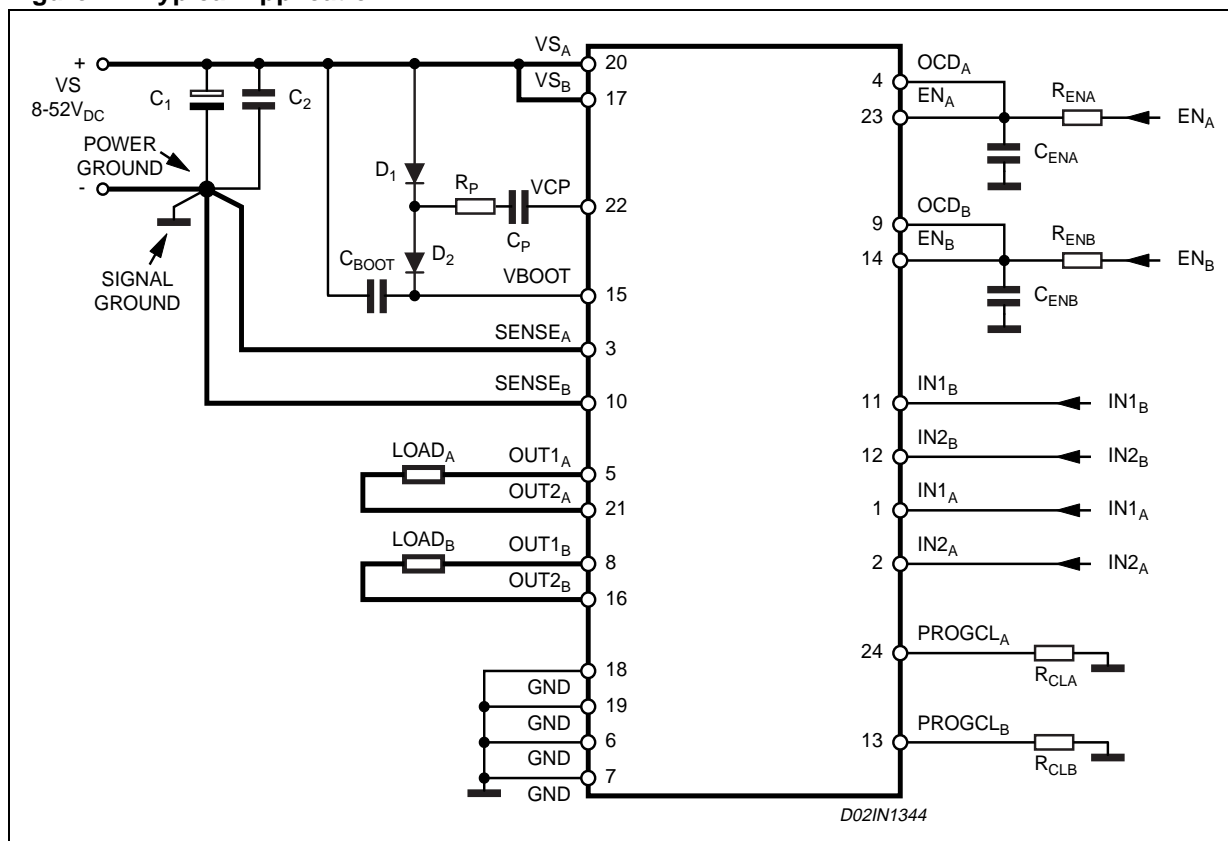
## APPLICATION INFORMATION

A typical application using L6226 is shown in Fig. 12. Typical component values for the application are shown in Table 2. A high quality ceramic capacitor in the range of 100 to 200 nF should be placed between the power pins ( $VS_A$  and  $VS_B$ ) and ground near the L6226 to improve the high frequency filtering on the power supply and reduce high frequency transients generated by the switching. The capacitors connected from the  $EN_A/OCD_A$  and  $EN_B/OCD_B$  nodes to ground set the shut down time for the Bridge A and Bridge B respectively when an over current is detected (see Overcurrent Protection). The two current sources ( $SENSE_A$  and  $SENSE_B$ ) should be connected to Power Ground with a trace length as short as possible in the layout. To increase noise immunity, unused logic pins are best connected to 5V (High Logic Level) or GND (Low Logic Level) (see pin description). It is recommended to keep Power Ground and Signal Ground separated on PCB.

**Table 2. Component Values for Typical Application**

|            |             |           |               |
|------------|-------------|-----------|---------------|
| $C_1$      | 100 $\mu$ F | $D_1$     | 1N4148        |
| $C_2$      | 100nF       | $D_2$     | 1N4148        |
| $C_{BOOT}$ | 220nF       | $R_{CLA}$ | 5K $\Omega$   |
| $C_P$      | 10nF        | $R_{CLB}$ | 5K $\Omega$   |
| $C_{ENA}$  | 5.6nF       | $R_{ENA}$ | 100k $\Omega$ |
| $C_{ENB}$  | 5.6nF       | $R_{ENB}$ | 100k $\Omega$ |
| $C_{REF}$  | 68nF        | $R_P$     | 100 $\Omega$  |

**Figure 12. Typical Application**



**PARALLELED OPERATION**

The outputs of the L6226 can be paralleled to increase the output current capability or reduce the power dissipation in the device at a given current level. It must be noted, however, that the internal wire bond connections from the die to the power or sense pins of the package must carry current in both of the associated half bridges. When the two halves of one full bridge (for example OUT1<sub>A</sub> and OUT2<sub>A</sub>) are connected in parallel, the peak current rating is not increased since the total current must still flow through one bond wire on the power supply or sense pin. In addition the over current detection senses the sum of the current in the upper devices of each bridge (A or B) so connecting the two halves of one bridge in parallel does not increase the over current detection threshold.

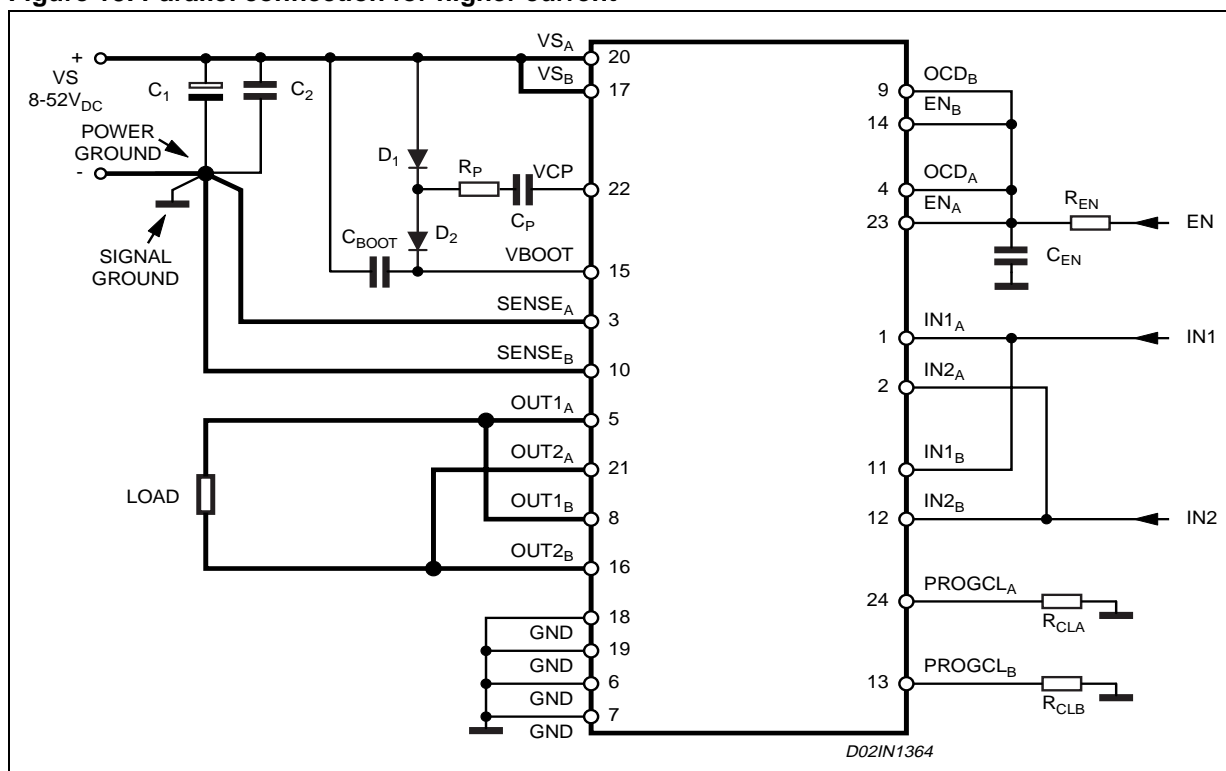
For most applications the recommended configuration is Half Bridge 1 of Bridge A paralleled with the Half Bridge 1 of the Bridge B, and the same for the Half Bridges 2 as shown in Figure 13. The current in the two devices connected in parallel will share very well since the R<sub>DS(ON)</sub> of the devices on the same die is well matched.

When connected in this configuration the over current detection circuit, which senses the current in each bridge (A and B), will sense the current in upper devices connected in parallel independently and the sense circuit with the lowest threshold will trip first. With the enables connected in parallel, the first detection of an over current in either upper DMOS device will turn off both bridges. Assuming that the two DMOS devices share the current equally, the resulting over current detection threshold will be twice the minimum threshold set by the resistors R<sub>CLA</sub> or R<sub>CLB</sub> in figure 13. It is recommended to use R<sub>CLA</sub> = R<sub>CLB</sub>.

In this configuration the resulting Bridge has the following characteristics.

- Equivalent Device: FULL BRIDGE
- R<sub>DS(ON)</sub> 0.37Ω Typ. Value @ T<sub>J</sub> = 25°C
- 2.8A max RMS Load Current
- 5.6A max OCD Threshold

**Figure 13. Parallel connection for higher current**



To operate the device in parallel and maintain a lower over current threshold, Half Bridge 1 and the Half Bridge 2 of the Bridge A can be connected in parallel and the same done for the Bridge B as shown in Figure 14. In this configuration, the peak current for each half bridge is still limited by the bond wires for the supply and sense pins so the dissipation in the device will be reduced, but the peak current rating is not increased.

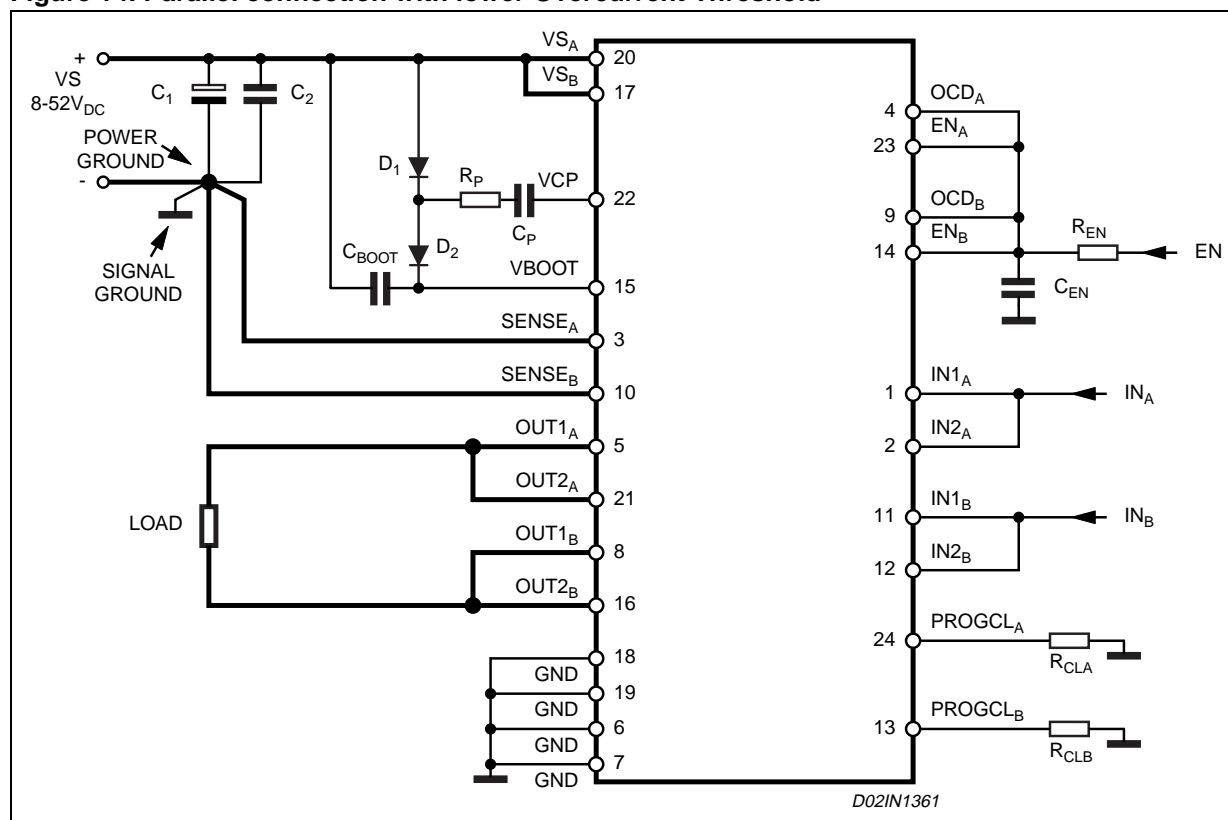
When connected in this configuration the over current detection circuit, senses the sum of the current in upper devices connected in parallel. With the enables connected in parallel, an over current will turn of both bridges. Since the circuit senses the total current in the upper devices, the over current threshold is equal to the threshold set the resistor  $R_{CLA}$  or  $R_{CLB}$  in figure 14.  $R_{CLA}$  sets the threshold when outputs  $OUT1_A$  and  $OUT2_A$  are high and resistor  $R_{CLB}$  sets the threshold when outputs  $OUT1_B$  and  $OUT2_B$  are high.

It is recommended to use  $R_{CLA} = R_{CLB}$ .

In this configuration, the resulting bridge has the following characteristics.

- Equivalent Device: FULL BRIDGE
- $R_{DS(ON)}$  0.37 $\Omega$  Typ. Value @  $T_J = 25^\circ\text{C}$
- 1.4A max RMS Load Current
- 2.8A max OCD Threshold

**Figure 14. Parallel connection with lower Overcurrent Threshold**

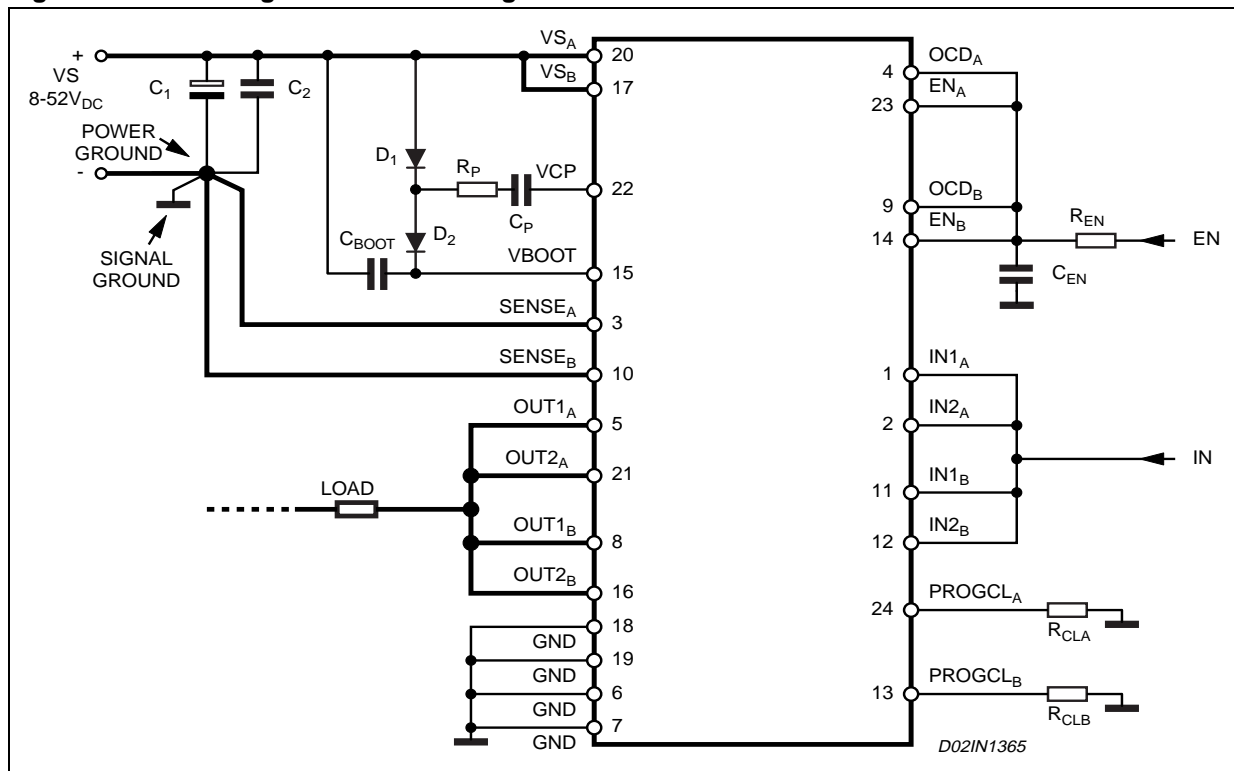


It is also possible to parallel the four Half Bridges to obtain a simple Half Bridge as shown in Fig. 15. In this configuration the, the over current threshold is equal to twice the minimum threshold set by the resistors  $R_{CLA}$  or  $R_{CLB}$  in Figure 15. It is recommended to use  $R_{CLA} = R_{CLB}$ .

The resulting half bridge has the following characteristics.

- Equivalent Device: HALF BRIDGE
- $R_{DS(ON)}$  0.18 $\Omega$  Typ. Value @  $T_J = 25^\circ\text{C}$
- 2.8A max RMS Load Current
- 5.6A max OCD Threshold

**Figure 15. Paralleling the four Half Bridges**



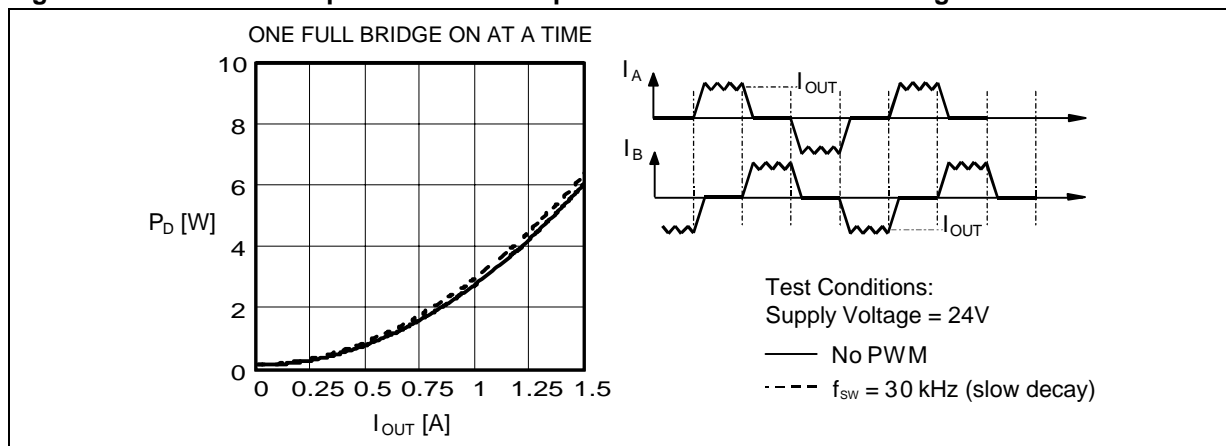


### OUTPUT CURRENT CAPABILITY AND IC POWER DISSIPATION

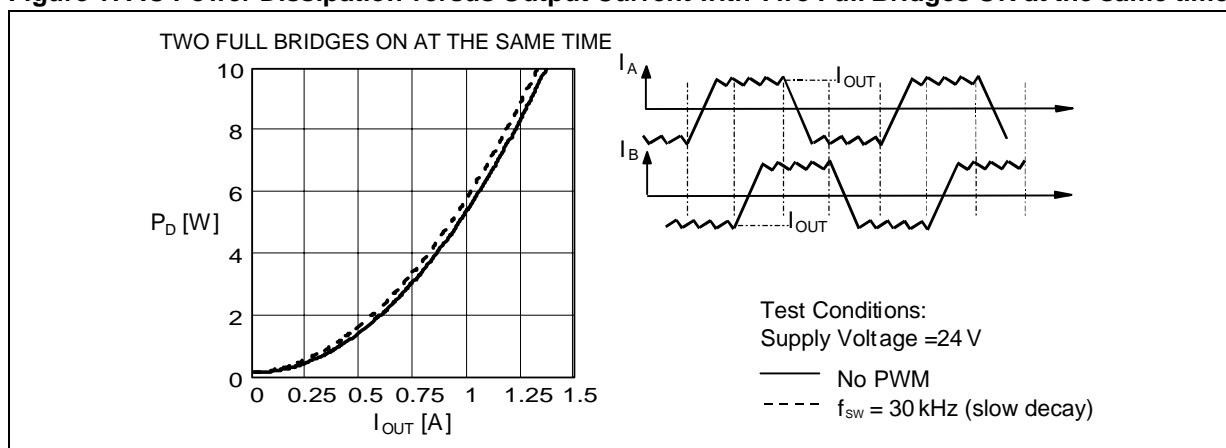
In Fig. 16 and Fig. 17 are shown the approximate relation between the output current and the IC power dissipation using PWM current control driving two loads, for two different driving types:

- One Full Bridge ON at a time (Fig.16) in which only one load at a time is energized.
  - Two Full Bridges ON at the same time (Fig.17) in which two loads at the same time are energized.
- For a given output current and driving type the power dissipated by the IC can be easily evaluated, in order to establish which package should be used and how large must be the on-board copper dissipating area to guarantee a safe operating junction temperature (125°C maximum).

**Figure 16. IC Power Dissipation versus Output Current with One Full Bridge ON at a time.**



**Figure 17. IC Power Dissipation versus Output Current with Two Full Bridges ON at the same time.**



### THERMAL MANAGEMENT

In most applications the power dissipation in the IC is the main factor that sets the maximum current that can be delivered by the device in a safe operating condition. Therefore, it has to be taken into account very carefully. Besides the available space on the PCB, the right package should be chosen considering the power dissipation. Heat sinking can be achieved using copper on the PCB with proper area and thickness. Figures 19, 20 and 21 show the Junction-to-Ambient Thermal Resistance values for the PowerSO36, PowerDIP24 and SO24 packages.

For instance, using a PowerSO package with copper slug soldered on a 1.5 mm copper thickness FR4 board with 6cm<sup>2</sup> dissipating footprint (copper thickness of 35µm), the  $R_{thj-amb}$  is about 35°C/W. Fig. 18 shows mounting methods for this package. Using a multi-layer board with vias to a ground plane, thermal impedance can be reduced down to 15°C/W.

Figure 18. Mounting the PowerSO package.

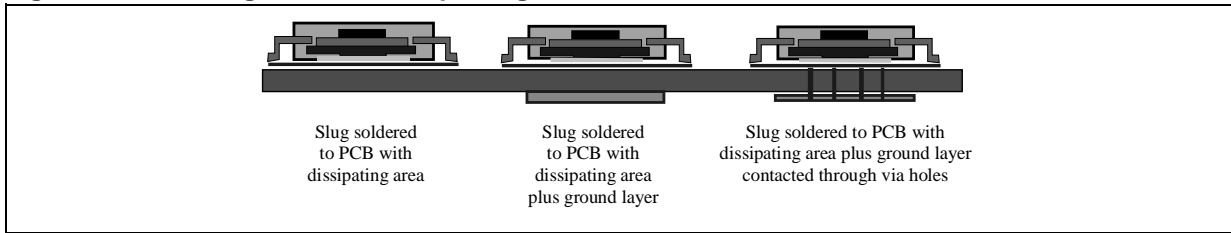


Figure 19. PowerSO36 Junction-Ambient thermal resistance versus on-board copper area.

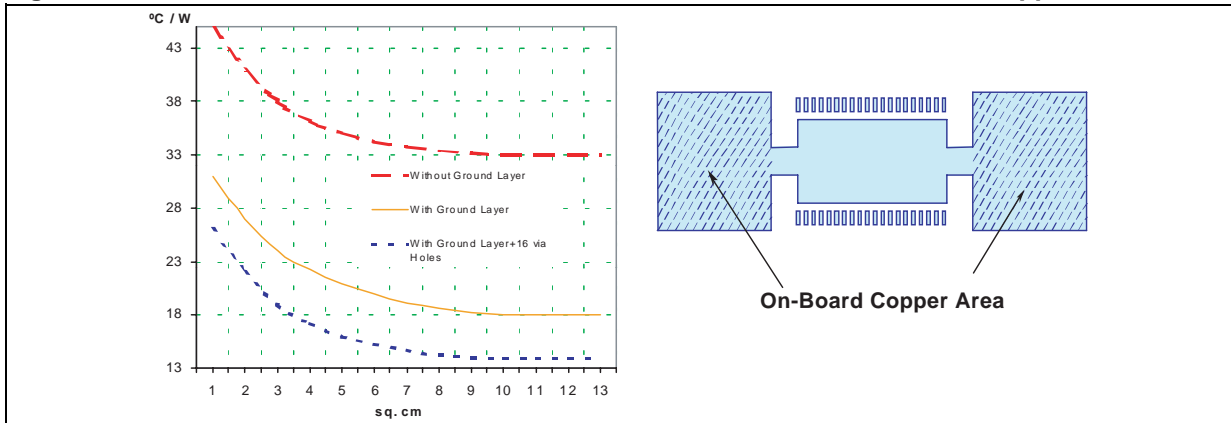


Figure 20. PowerDIP24 Junction-Ambient thermal resistance versus on-board copper area.

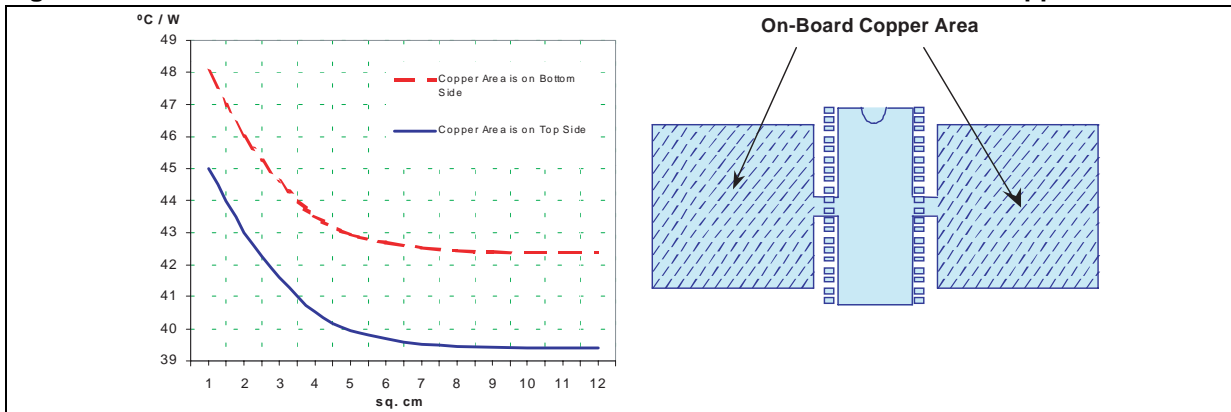
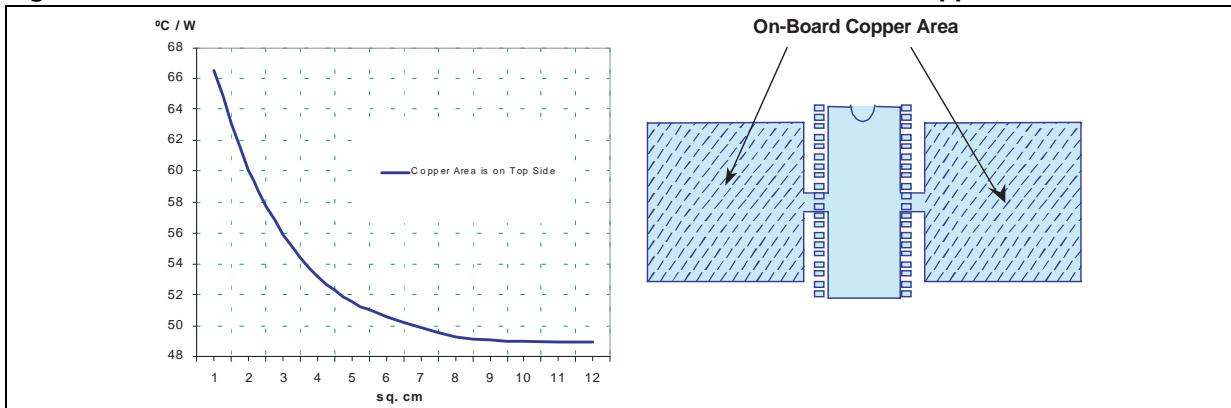


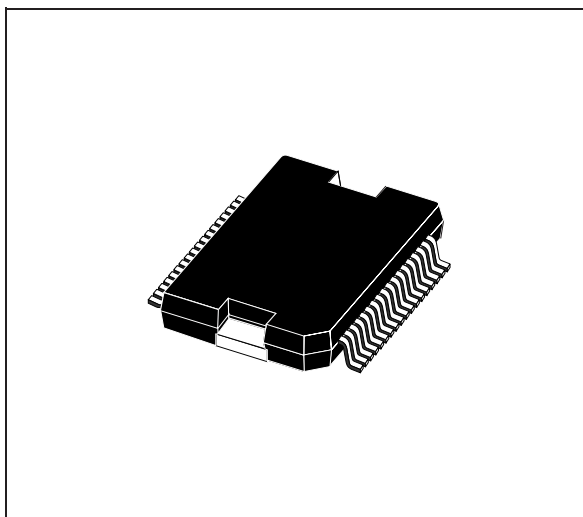
Figure 21. SO24 Junction-Ambient thermal resistance versus on-board copper area.



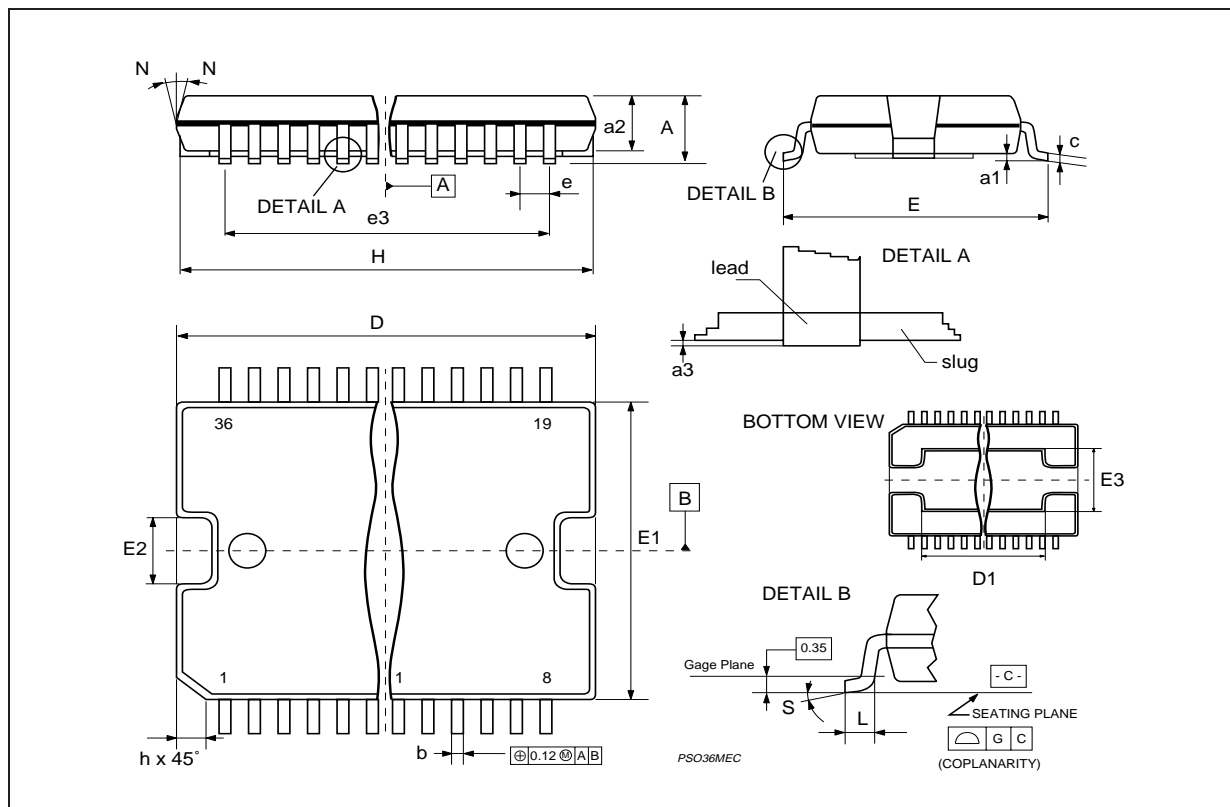
| DIM.   | mm        |       |       | inch  |        |       |
|--------|-----------|-------|-------|-------|--------|-------|
|        | MIN.      | TYP.  | MAX.  | MIN.  | TYP.   | MAX.  |
| A      |           |       | 3.60  |       |        | 0.141 |
| a1     | 0.10      |       | 0.30  | 0.004 |        | 0.012 |
| a2     |           |       | 3.30  |       |        | 0.130 |
| a3     | 0         |       | 0.10  | 0     |        | 0.004 |
| b      | 0.22      |       | 0.38  | 0.008 |        | 0.015 |
| c      | 0.23      |       | 0.32  | 0.009 |        | 0.012 |
| D (1)  | 15.80     |       | 16.00 | 0.622 |        | 0.630 |
| D1     | 9.40      |       | 9.80  | 0.370 |        | 0.385 |
| E      | 13.90     |       | 14.50 | 0.547 |        | 0.570 |
| e      |           | 0.65  |       |       | 0.0256 |       |
| e3     |           | 11.05 |       |       | 0.435  |       |
| E1 (1) | 10.90     |       | 11.10 | 0.429 |        | 0.437 |
| E2     |           |       | 2.90  |       |        | 0.114 |
| E3     | 5.80      |       | 6.20  | 0.228 |        | 0.244 |
| E4     | 2.90      |       | 3.20  | 0.114 |        | 0.126 |
| G      | 0         |       | 0.10  | 0     |        | 0.004 |
| H      | 15.50     |       | 15.90 | 0.610 |        | 0.626 |
| h      |           |       | 1.10  |       |        | 0.043 |
| L      | 0.80      |       | 1.10  | 0.031 |        | 0.043 |
| N      | 10°(max.) |       |       |       |        |       |
| S      | 8°(max.)  |       |       |       |        |       |

(1): "D" and "E1" do not include mold flash or protrusions  
 - Mold flash or protrusions shall not exceed 0.15mm (0.006 inch)  
 - Critical dimensions are "a3", "E" and "G".

## OUTLINE AND MECHANICAL DATA

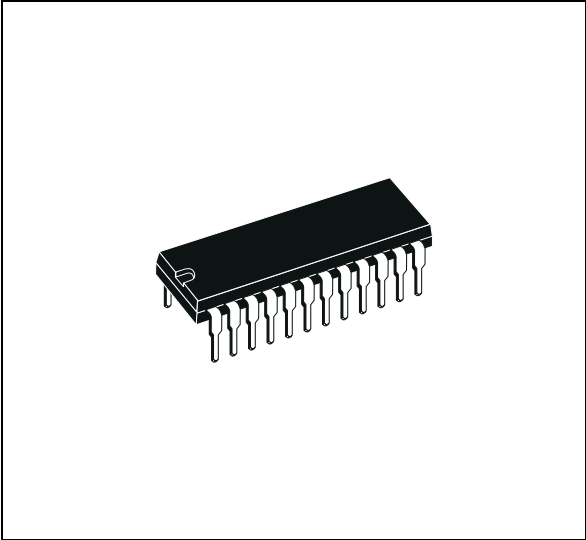


## PowerSO36

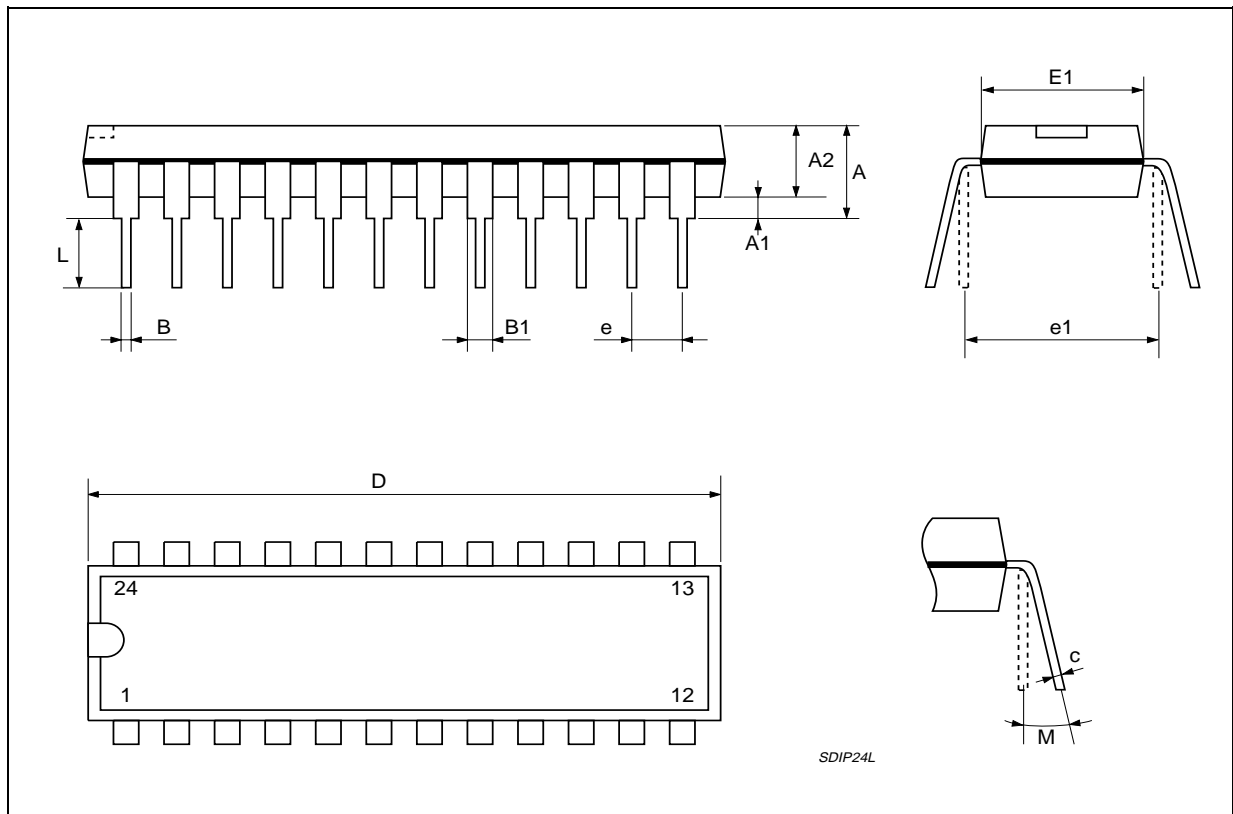


| DIM. | mm               |       |       | inch  |       |       |
|------|------------------|-------|-------|-------|-------|-------|
|      | MIN.             | TYP.  | MAX.  | MIN.  | TYP.  | MAX.  |
| A    |                  |       | 4.320 |       |       | 0.170 |
| A1   | 0.380            |       |       | 0.015 |       |       |
| A2   |                  | 3.300 |       |       | 0.130 |       |
| B    | 0.410            | 0.460 | 0.510 | 0.016 | 0.018 | 0.020 |
| B1   | 1.400            | 1.520 | 1.650 | 0.055 | 0.060 | 0.065 |
| c    | 0.200            | 0.250 | 0.300 | 0.008 | 0.010 | 0.012 |
| D    | 31.62            | 31.75 | 31.88 | 1.245 | 1.250 | 1.255 |
| E    | 7.620            |       | 8.260 | 0.300 |       | 0.325 |
| e    |                  | 2.54  |       |       | 0.100 |       |
| E1   | 6.350            | 6.600 | 6.860 | 0.250 | 0.260 | 0.270 |
| e1   |                  | 7.620 |       |       | 0.300 |       |
| L    | 3.180            |       | 3.430 | 0.125 |       | 0.135 |
| M    | 0° min, 15° max. |       |       |       |       |       |

**OUTLINE AND MECHANICAL DATA**



**Powerdip 24**



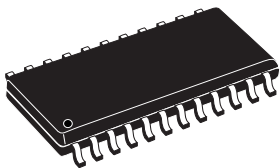
SDIP24L

| DIM.  | mm                   |      |       | inch  |       |       |
|-------|----------------------|------|-------|-------|-------|-------|
|       | MIN.                 | TYP. | MAX.  | MIN.  | TYP.  | MAX.  |
| A     | 2.35                 |      | 2.65  | 0.093 |       | 0.104 |
| A1    | 0.10                 |      | 0.30  | 0.004 |       | 0.012 |
| B     | 0.33                 |      | 0.51  | 0.013 |       | 0.200 |
| C     | 0.23                 |      | 0.32  | 0.009 |       | 0.013 |
| D (1) | 15.20                |      | 15.60 | 0.598 |       | 0.614 |
| E     | 7.40                 |      | 7.60  | 0.291 |       | 0.299 |
| e     |                      | 1.27 |       |       | 0.050 |       |
| H     | 10.0                 |      | 10.65 | 0.394 |       | 0.419 |
| h     | 0.25                 |      | 0.75  | 0.010 |       | 0.030 |
| L     | 0.40                 |      | 1.27  | 0.016 |       | 0.050 |
| k     | 0° (min.), 8° (max.) |      |       |       |       |       |
| ddd   |                      |      | 0.10  |       |       | 0.004 |

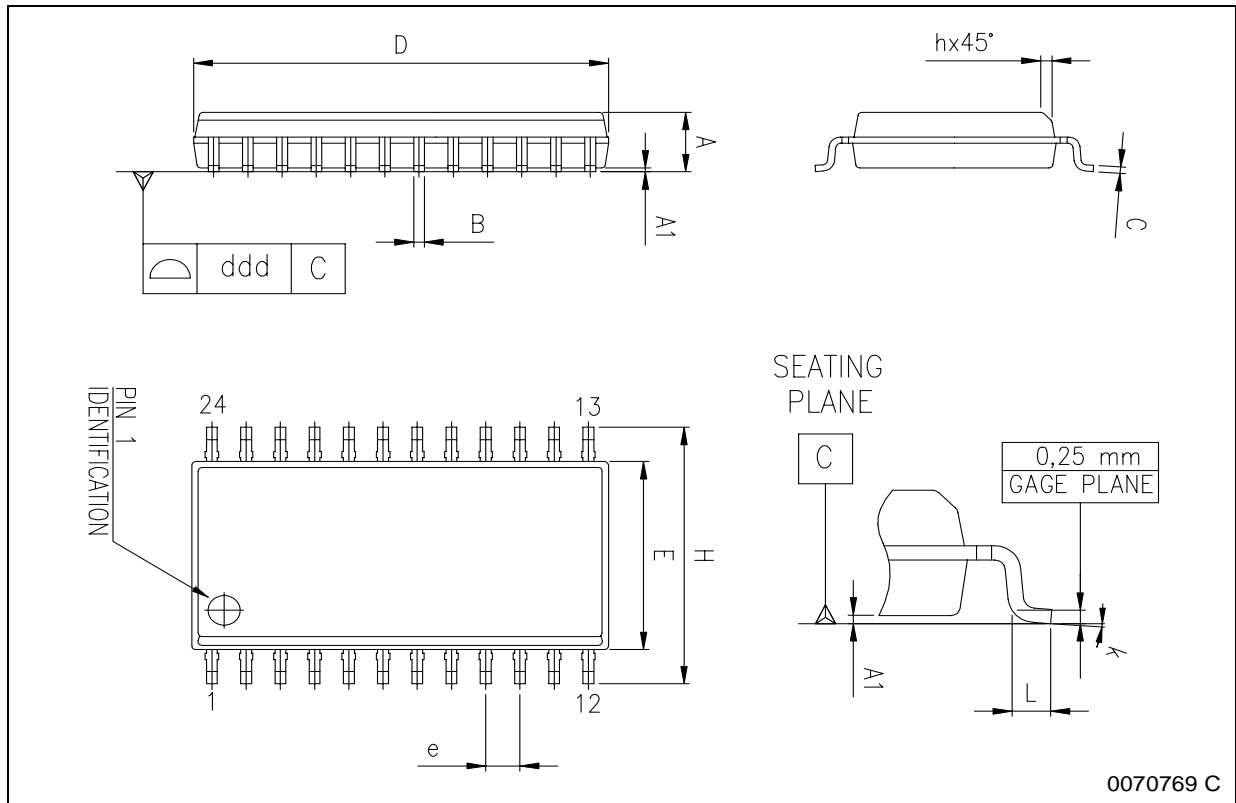
(1) "D" dimension does not include mold flash, protusions or gate burrs. Mold flash, protusions or gate burrs shall not exceed 0.15mm per side.

**OUTLINE AND MECHANICAL DATA**

Weight: 0.60gr



**SO24**



0070769 C

Information furnished is believed to be accurate and reliable. However, STMicroelectronics assumes no responsibility for the consequences of use of such information nor for any infringement of patents or other rights of third parties which may result from its use. No license is granted by implication or otherwise under any patent or patent rights of STMicroelectronics. Specifications mentioned in this publication are subject to change without notice. This publication supersedes and replaces all information previously supplied. STMicroelectronics products are not authorized for use as critical components in life support devices or systems without express written approval of STMicroelectronics.

The ST logo is a registered trademark of STMicroelectronics.  
All other names are the property of their respective owners

© 2003 STMicroelectronics - All rights reserved

**STMicroelectronics GROUP OF COMPANIES**

Australia - Belgium - Brazil - Canada - China - Czech Republic - Finland - France - Germany - Hong Kong - India - Israel - Italy - Japan -  
Malaysia - Malta - Morocco - Singapore - Spain - Sweden - Switzerland - United Kingdom - United States  
[www.st.com](http://www.st.com)