

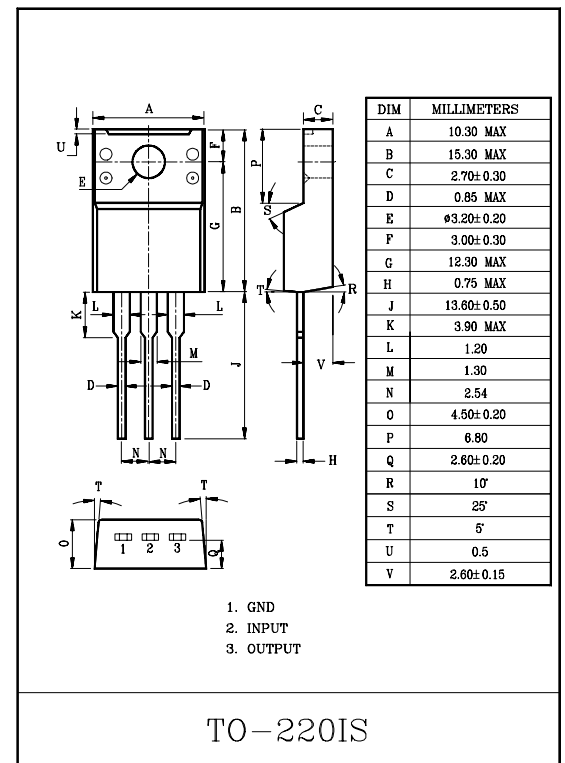
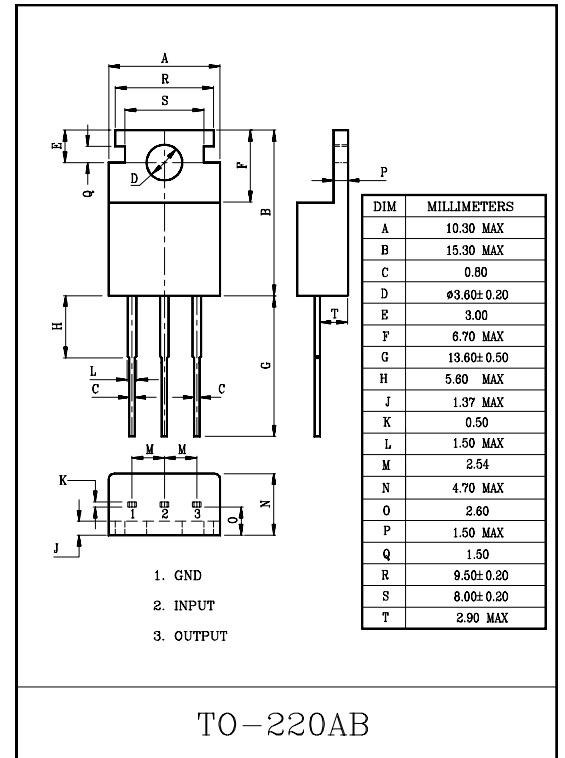
1A THREE TERMINAL NEGATIVE VOLTAGE REGULATORS  
-5V, -6V, -8V, -9V, -10V, -12V, -15V, -18V, -20V, -24V

#### FEATURES:

- Suitable for C-MOS, TTL, and the other digital IC power supply.
- Internal thermal overload protecting.
- Internal short circuit current limiting.
- Output current in excess of 1.0A.

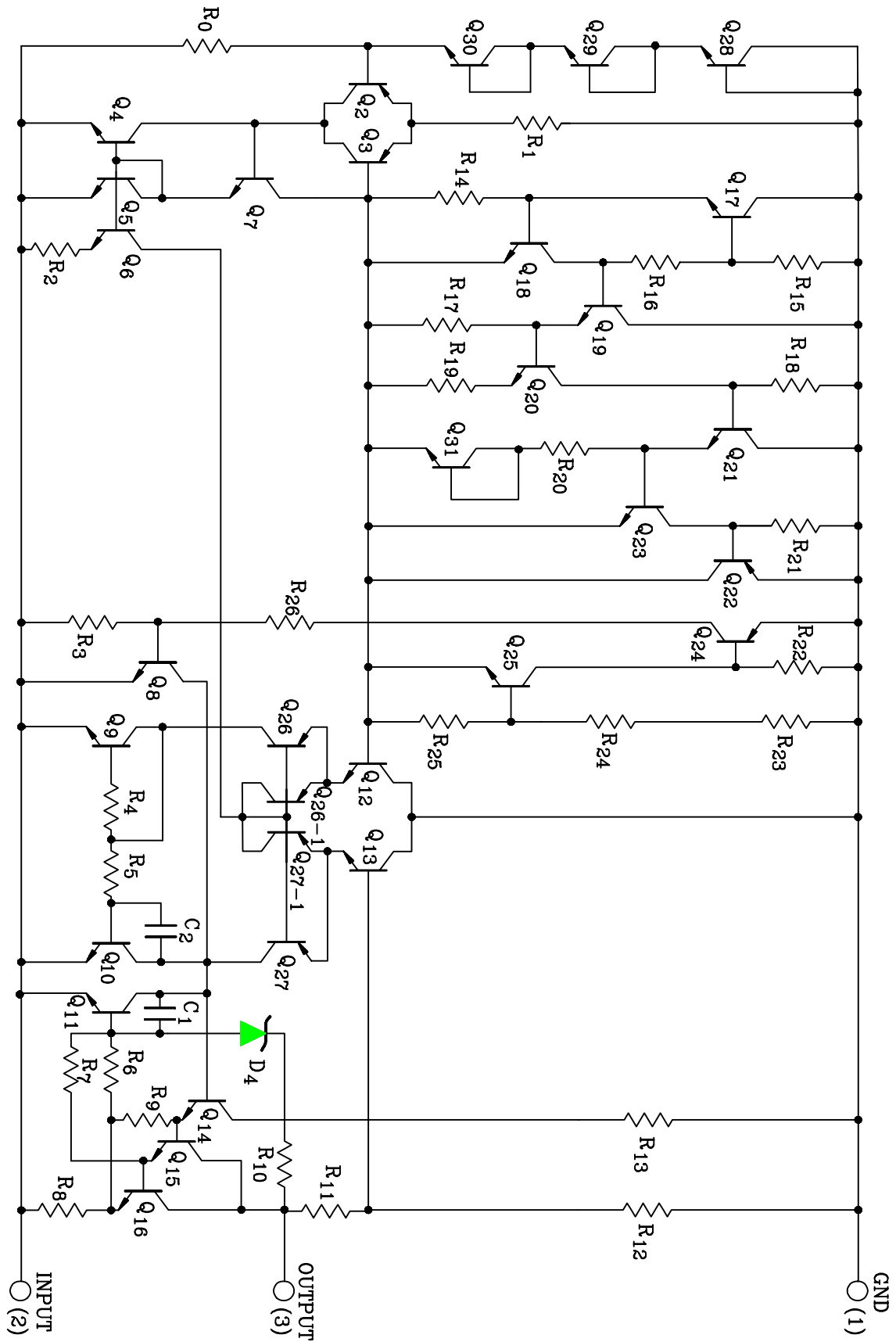
#### MAXIMUM RATINGS (Ta=25°C)

CHARACTERISTIC		SYMBOL	RATING	UNIT
Input Voltage	KIA7905P/PI~ KIA7915P/PI	V <sub>IN</sub>	-35	V
	KIA7918P/PI~ KIA7924P/PI		-40	
Power Dissipation (Tc=25°C)		P <sub>D</sub>	20.8	W
Operating Junction Temperature		T <sub>j</sub>	-30~150	°C
Operating Temperature		T <sub>opr</sub>	-30~75	°C
Storage Temperature		T <sub>stg</sub>	-55~150	°C



# KIA7905P/PI ~ KIA7924P/PI

## EQUIVALENT CIRCUIT



# KIA7905P/PI ~ KIA7924P/PI

## ELECTRICAL CHARACTERISTICS

### KIA7905P/PI

(Unless otherwise specified,  $V_{IN} = -10V$ ,  $I_{OUT} = 500mA$ ,  $0^{\circ}C \leq T_j \leq 125^{\circ}C$ ,  $C_{IN} = 2.2\mu F$ ,  $C_{OUT} = 1\mu F$ )

CHARACTERISTIC	SYMBOL	TEST CIRCUIT	TEST CONDITION	MIN.	TYP.	MAX.	UNIT	
Output Voltage	$V_{OUT}$	1	$T_j = 25^{\circ}C$	-5.2	-5.0	-4.8	V	
Input Regulation	Reg line	1	$T_j = 25^{\circ}C$	$-12V \leq V_{IN} \leq -8V$	-	5	50	mV
				$-25V \leq V_{IN} \leq -7V$	-	10	100	
Load Regulation	Reg load	1	$T_j = 25^{\circ}C$	$5mA \leq I_{OUT} \leq 1.5A$	-	10	100	mV
				$250mA \leq I_{OUT} \leq 750mA$	-	3	50	
Output Voltage	$V_{OUT}$	1	$-20V \leq V_{IN} \leq -7V$ $5mA \leq I_{OUT} \leq 1.0A$	-5.25	-5.0	-4.75	V	
Quiescent Current	$I_B$	1	$T_j = 25^{\circ}C$	-	3	6	mA	
Quiescent Current Change	$\Delta I_{BI}$	1	$-25V \leq V_{IN} \leq -8V$	-	0.1	1.3	mA	
	$\Delta I_{BO}$			$5mA \leq I_{OUT} \leq 1.0A$	-	0.05		0.5
Output Noise Voltage	$V_{NO}$	2	$T_a = 25^{\circ}C$ , $10Hz \leq f \leq 100kHz$	-	100	-	$\mu V_{rms}$	
Ripple Rejection Ratio	RR	3	$f = 120Hz$ , $I_{OUT} = 20mA$ ,	54	60	-	dB	
Short Circuit Current Limit	$I_{SC}$	1	$T_j = 25^{\circ}C$	-	1.9	-	A	
Average Temperature Coefficient of Output Voltage	$T_{CVO}$	1	$I_{OUT} = 5.0mA$	-	-0.4	-	mV/ $^{\circ}C$	
Dropout Voltage	$V_D$	1	$T_j = 25^{\circ}C$ , $I_{OUT} = 1A$	-	2.0	-	V	

# KIA7905P/PI ~ KIA7924P/PI

## ELECTRICAL CHARACTERISTICS

### KIA7906P/PI

(Unless otherwise specified,  $V_{IN} = -11V$ ,  $I_{OUT} = 500mA$ ,  $0^\circ C \leq T_j \leq 125^\circ C$ ,  $C_{IN} = 2.2\mu F$ ,  $C_{OUT} = 1\mu F$ )

CHARACTERISTIC		SYMBOL	TEST CIRCUIT	TEST CONDITION	MIN.	TYP.	MAX.	UNIT	
Output Voltage		$V_{OUT}$	1	$T_j = 25^\circ C$	-6.25	-6.0	-5.75	V	
Input Regulation		Reg line	1	$T_j = 25^\circ C$	$-13V \leq V_{IN} \leq -9V$	-	5	60	mV
					$-25V \geq V_{IN} \geq -8V$	-	10	120	
Load Regulation		Reg load	1	$T_j = 25^\circ C$	$5mA \leq I_{OUT} \leq 1.5A$	-	10	120	mV
					$250mA \leq I_{OUT} \leq 750mA$	-	3	60	
Output Voltage		$V_{OUT}$	1	$-21V \leq V_{IN} \leq -9V$ $5mA \leq I_{OUT} \leq 1.0A$	-6.3	-6.0	-5.7	V	
Quiescent Current		$I_B$	1	$T_j = 25^\circ C$	-	3	6	mA	
Quiescent Current Change		Line	1	$-25V \leq V_{IN} \leq -9V$ $5mA \leq I_{OUT} \leq 1.0A$	-	-	1.3	mA	
		Load			-	-	0.5		
Output Noise Voltage		$V_{NO}$	2	$T_a = 25^\circ C$ , $10Hz \leq f \leq 100kHz$	-	130	-	$\mu V_{rms}$	
Ripple Rejection Ratio		RR	3	$f = 120Hz$ , $I_{OUT} = 20mA$ ,	54	60	-	dB	
Short Circuit Current Limit		$I_{SC}$	1	$T_j = 25^\circ C$	-	1.9	-	A	
Average Temperature Coefficient of Output Voltage		$T_{CVO}$	1	$I_{OUT} = 5mA$	-	-0.5	-	mV/ $^\circ C$	
Dropout Voltage		$V_D$	1	$T_j = 25^\circ C$ , $I_{OUT} = 1A$	-	2.0	-	V	

# KIA7905P/PI ~ KIA7924P/PI

## ELECTRICAL CHARACTERISTICS

### KIA7908P/PI

(Unless otherwise specified,  $V_{IN} = -14V$ ,  $I_{OUT} = 500mA$ ,  $0^{\circ}C \leq T_j \leq 125^{\circ}C$ ,  $C_{IN} = 2.2\mu F$ ,  $C_{OUT} = 1\mu F$ )

CHARACTERISTIC		SYMBOL	TEST CIRCUIT	TEST CONDITION	MIN.	TYP.	MAX.	UNIT	
Output Voltage		$V_{OUT}$	1	$T_j = 25^{\circ}C$	-8.3	-8.0	-7.7	V	
Input Regulation		Reg line	1	$T_j = 25^{\circ}C$	$-17V \leq V_{IN} \leq -11V$	-	5	80	mV
					$-25V \leq V_{IN} \leq -10.5V$	-	10	100	
Load Regulation		Reg load	1	$T_j = 25^{\circ}C$	$5mA \leq I_{OUT} \leq 1.5A$	-	12	160	mV
					$250mA \leq I_{OUT} \leq 750mA$	-	4	80	
Output Voltage		$V_{OUT}$	1	$-23V \leq V_{IN} \leq -11.5V$ $5mA \leq I_{OUT} \leq 1.0A$	-8.4	-8.0	-7.6	V	
Quiescent Current		$I_B$	1	$T_j = 25^{\circ}C$	-	3	6	mA	
Quiescent Current Change		Line	1	$-25V \leq V_{IN} \leq -11.5V$ $5mA \leq I_{OUT} \leq 1.0A$	-	0.1	1.0	mA	
		Load			-	0.05	0.5		
Output Noise Voltage		$V_{NO}$	2	$T_a = 25^{\circ}C$ , $10Hz \leq f \leq 100kHz$	-	175	-	$\mu V_{rms}$	
Ripple Rejection Ratio		RR	3	$f = 120Hz$ , $I_{OUT} = 20mA$ ,	54	60	-	dB	
Short Circuit Current Limit		$I_{SC}$	1	$T_j = 25^{\circ}C$	-	1.9	-	A	
Average Temperature Coefficient of Output Voltage		$T_{CVO}$	1	$I_{OUT} = 5mA$	-	-0.6	-	mV/ $^{\circ}C$	
Dropout Voltage		$V_D$	1	$T_j = 25^{\circ}C$ , $I_{OUT} = 1A$	-	2.0	-	V	

# KIA7905P/PI ~ KIA7924P/PI

## ELECTRICAL CHARACTERISTICS

### KIA7909P/PI

(Unless otherwise specified,  $V_{IN} = -15V$ ,  $I_{OUT} = 500mA$ ,  $0^{\circ}C \leq T_j \leq 125^{\circ}C$ ,  $C_{IN} = 2.2\mu F$ ,  $C_{OUT} = 1\mu F$ )

CHARACTERISTIC	SYMBOL	TEST CIRCUIT	TEST CONDITION	MIN.	TYP.	MAX.	UNIT	
Output Voltage	$V_{OUT}$	1	$T_j = 25^{\circ}C$	-9.3	-9.0	-8.7	V	
Input Regulation	Reg line	1	$T_j = 25^{\circ}C$	$-19V \leq V_{IN} \leq -13V$	-	5	90	mV
				$-26V \leq V_{IN} \leq -11.5V$	-	10	100	
Load Regulation	Reg load	1	$T_j = 25^{\circ}C$	$5mA \leq I_{OUT} \leq 1.5A$	-	10	150	mV
				$250mA \leq I_{OUT} \leq 750mA$	-	5	120	
Output Voltage	$V_{OUT}$	1	$-24V \leq V_{IN} \leq -11.5V$ $5mA \leq I_{OUT} \leq 1.0A$	-9.4	-9.0	-8.6	V	
Quiescent Current	$I_B$	1	$T_j = 25^{\circ}C$	-	3	6	mA	
Quiescent Current Change	Line	1	$-26.5V \leq V_{IN} \leq -13V$ $5mA \leq I_{OUT} \leq 1.0A$	-	0.1	1.0	mA	
	Load							$\Delta I_{BO}$
Output Noise Voltage	$V_{NO}$	2	$T_a = 25^{\circ}C$ , $10Hz \leq f \leq 100kHz$	-	180	-	$\mu V_{rms}$	
Ripple Rejection Ratio	RR	3	$f = 120Hz$ , $I_{OUT} = 20mA$ ,	54	60	-	dB	
Short Circuit Current Limit	$I_{SC}$	1	$T_j = 25^{\circ}C$	-	1.9	-	A	
Average Temperature Coefficient of Output Voltage	$T_{CVO}$	1	$I_{OUT} = 5mA$	-	-0.7	-	mV/ $^{\circ}C$	
Dropout Voltage	$V_D$	1	$T_j = 25^{\circ}C$ , $I_{OUT} = 1A$	-	2.0	-	V	

# KIA7905P/PI ~ KIA7924P/PI

## ELECTRICAL CHARACTERISTICS

KIA7910IP/PI

(Unless otherwise specified,  $V_{IN} = -16V$ ,  $I_{OUT} = 500mA$ ,  $0^{\circ}C \leq T_j \leq 125^{\circ}C$ ,  $C_{IN} = 2.2\mu F$ ,  $C_{OUT} = 1\mu F$ )

CHARACTERISTIC		SYMBOL	TEST CIRCUIT	TEST CONDITION	MIN.	TYP.	MAX.	UNIT	
Output Voltage		$V_{OUT}$	1	$T_j = 25^{\circ}C$	-10.4	-10	-9.6	V	
Input Regulation		Reg line	1	$T_j = 25^{\circ}C$	$-20V \leq V_{IN} \leq -14V$	-	5	100	mV
					$-27V \leq V_{IN} \leq -12.5V$	-	10	110	
Load Regulation		Reg load	1	$T_j = 25^{\circ}C$	$5mA \leq I_{OUT} \leq 1.5A$	-	10	180	mV
					$250mA \leq I_{OUT} \leq 750mA$	-	6	120	
Output Voltage		$V_{OUT}$	1	$-25V \leq V_{IN} \leq -12.5V$ $5mA \leq I_{OUT} \leq 1.0A$	-10.5	-10	-9.5	V	
Quiescent Current		$I_B$	1	$T_j = 25^{\circ}C$	-	3	6	mA	
Quiescent Current Change		Line	1	$-27.5V \leq V_{IN} \leq -14V$ $5mA \leq I_{OUT} \leq 1.0A$	-	0.1	1.0	mA	
		Load			$\Delta I_{BO}$	-	0.05		0.5
Output Noise Voltage		$V_{NO}$	2	$T_a = 25^{\circ}C$ , $10Hz \leq f \leq 100kHz$	-	190	-	$\mu V_{rms}$	
Ripple Rejection Ratio		RR	3	$f = 120Hz$ , $I_{OUT} = 20mA$	54	60	-	dB	
Short Circuit Current Limit		$I_{SC}$	1	$T_j = 25^{\circ}C$	-	1.9	-	A	
Average Temperature Coefficient of Output Voltage		$T_{CVO}$	1	$I_{OUT} = 5mA$	-	-0.7	-	mV/ $^{\circ}C$	
Dropout Voltage		$V_D$	1	$T_j = 25^{\circ}C$ , $I_{OUT} = 1A$	-	2.0	-	V	

# KIA7905P/PI ~ KIA7924P/PI

## ELECTRICAL CHARACTERISTICS

### KIA7912P/PI

(Unless otherwise specified,  $V_{IN}=-18V$ ,  $I_{OUT}=500mA$ ,  $0^{\circ}C \leq T_j \leq 125^{\circ}C$ ,  $C_{IN}=2.2\mu F$ ,  $C_{OUT}=1\mu F$ )

CHARACTERISTIC		SYMBOL	TEST CIRCUIT	TEST CONDITION	MIN.	TYP.	MAX.	UNIT	
Output Voltage		$V_{OUT}$	1	$T_j=25^{\circ}C$	-12.5	-12	-11.5	V	
Input Regulation		Reg line	1	$T_j=25^{\circ}C$	$-22V \leq V_{IN} \leq -16V$	-	6	120	mV
					$-30V \leq V_{IN} \leq -14.5V$	-	12	240	
Load Regulation		Reg load	1	$T_j=25^{\circ}C$	$5mA \leq I_{OUT} \leq 1.5A$	-	12	240	mV
					$250mA \leq I_{OUT} \leq 750mA$	-	4	120	
Output Voltage		$V_{OUT}$	1	$-27V \leq V_{IN} \leq -15.5V$ $5mA \leq I_{OUT} \leq 1.0A$	-12.6	-12	-11.4	V	
Quiescent Current		$I_B$	1	$T_j=25^{\circ}C$	-	3	6	mA	
Quiescent Current Change		Line	1	$-30V \leq V_{IN} \leq -15V$ $5mA \leq I_{OUT} \leq 1.0A$	-	0.1	1.0	mA	
		Load			-	0.05	0.5		
Output Noise Voltage		$V_{NO}$	2	$T_a=25^{\circ}C$ , $10Hz \leq f \leq 100kHz$	-	200	-	$\mu V_{rms}$	
Ripple Rejection Ratio		RR	3	$f=120Hz$ , $I_{OUT}=20mA$ ,	54	60	-	dB	
Short Circuit Current Limit		$I_{SC}$	1	$T_j=25^{\circ}C$	-	1.9	-	A	
Average Temperature Coefficient of Output Voltage		$T_{CVO}$	1	$I_{OUT}=5mA$	-	-0.8	-	mV/ $^{\circ}C$	
Dropout Voltage		$V_D$	1	$T_j=25^{\circ}C$ , $I_{OUT}=1A$	-	2.0	-	V	



# KIA7905P/PI ~ KIA7924P/PI

## ELECTRICAL CHARACTERISTICS

### KIA7915P/PI

(Unless otherwise specified,  $V_{IN} = -23V$ ,  $I_{OUT} = 500mA$ ,  $0^{\circ}C \leq T_j \leq 125^{\circ}C$ ,  $C_{IN} = 2.2\mu F$ ,  $C_{OUT} = 1\mu F$ )

CHARACTERISTIC		SYMBOL	TEST CIRCUIT	TEST CONDITION	MIN.	TYP.	MAX.	UNIT	
Output Voltage		$V_{OUT}$	1	$T_j = 25^{\circ}C$	-15.6	-15	-14.4	V	
Input Regulation		Reg line	1	$T_j = 25^{\circ}C$	$-26V \leq V_{IN} \leq -20V$	-	6	150	mV
					$-30V \leq V_{IN} \leq -17.5V$	-	12	300	
Load Regulation		Reg load	1	$T_j = 25^{\circ}C$	$5mA \leq I_{OUT} \leq 1.5A$	-	12	300	mV
					$250mA \leq I_{OUT} \leq 750mA$	-	4	150	
Output Voltage		$V_{OUT}$	1	$-30V \leq V_{IN} \leq -18V$ $5mA \leq I_{OUT} \leq 1.0A$	-15.75	-15	-14.25	V	
Quiescent Current		$I_B$	1	$T_j = 25^{\circ}C$	-	3	6	mA	
Quiescent Current Change		Line	1	$-30V \leq V_{IN} \leq -17.5V$ $5mA \leq I_{OUT} \leq 1.0A$	-	0.1	1.0	mA	
		Load			-	0.05	0.5		
Output Noise Voltage		$V_{NO}$	2	$T_a = 25^{\circ}C$ , $10Hz \leq f \leq 100kHz$	-	250	-	$\mu V_{rms}$	
Ripple Rejection Ratio		RR	3	$f = 120Hz$ , $I_{OUT} = 20mA$ ,	54	60	-	dB	
Short Circuit Current Limit		$I_{SC}$	1	$T_j = 25^{\circ}C$	-	1.9	-	A	
Average Temperature Coefficient of Output Voltage		$T_{CVO}$	1	$I_{OUT} = 5mA$	-	-0.9	-	mV/ $^{\circ}C$	
Dropout Voltage		$V_D$	1	$T_j = 25^{\circ}C$ , $I_{OUT} = 1A$	-	2.0	-	V	

# KIA7905P/PI ~ KIA7924P/PI

## ELECTRICAL CHARACTERISTICS

### KIA7918P/PI

(Unless otherwise specified,  $V_{IN} = -27V$ ,  $I_{OUT} = 500mA$ ,  $0^{\circ}C \leq T_j \leq 125^{\circ}C$ ,  $C_{IN} = 2.2\mu F$ ,  $C_{OUT} = 1\mu F$ )

CHARACTERISTIC		SYMBOL	TEST CIRCUIT	TEST CONDITION	MIN.	TYP.	MAX.	UNIT	
Output Voltage		$V_{OUT}$	1	$T_j = 25^{\circ}C$	-18.7	-18	-17.3	V	
Input Regulation		Reg line	1	$T_j = 25^{\circ}C$	$-30V \leq V_{IN} \leq -24V$	-	8	180	mV
					$-33V \leq V_{IN} \leq -21V$	-	15	360	
Load Regulation		Reg load	1	$T_j = 25^{\circ}C$	$5mA \leq I_{OUT} \leq 1.5A$	-	15	360	mV
					$250mA \leq I_{OUT} \leq 750mA$	-	5	180	
Output Voltage		$V_{OUT}$	1	$-33V \leq V_{IN} \leq -22.5V$ $5mA \leq I_{OUT} \leq 1.0A$	-18.85	-18	-17.15	V	
Quiescent Current		$I_B$	1	$T_j = 25^{\circ}C$	-	3	6	mA	
Quiescent Current Change		Line	1	$-33V \leq V_{IN} \leq -22V$ $5mA \leq I_{OUT} \leq 1.0A$	-	-	1.0	mA	
		Load							$\Delta I_{BO}$
Output Noise Voltage		$V_{NO}$	2	$T_a = 25^{\circ}C$ , $10Hz \leq f \leq 100kHz$	-	300	-	$\mu V_{rms}$	
Ripple Rejection Ratio		RR	3	$f = 120Hz$ , $I_{OUT} = 20mA$ ,	54	60	-	dB	
Short Circuit Current Limit		$I_{SC}$	1	$T_j = 25^{\circ}C$	-	1.9	-	A	
Average Temperature Coefficient of Output Voltage		$T_{CVO}$	1	$I_{OUT} = 5mA$	-	-1.0	-	mV/ $^{\circ}C$	
Dropout Voltage		$V_D$	1	$T_j = 25^{\circ}C$ , $I_{OUT} = 1A$	-	2.0	-	V	

# KIA7905P/PI ~ KIA7924P/PI

## ELECTRICAL CHARACTERISTICS

### KIA7920P/PI

(Unless otherwise specified,  $V_{IN} = -30V$ ,  $I_{OUT} = 500mA$ ,  $0^{\circ}C \leq T_j \leq 125^{\circ}C$ ,  $C_{IN} = 2.2\mu F$ ,  $C_{OUT} = 1\mu F$ )

CHARACTERISTIC		SYMBOL	TEST CIRCUIT	TEST CONDITION	MIN.	TYP.	MAX.	UNIT	
Output Voltage		$V_{OUT}$	1	$T_j = 25^{\circ}C$	-20.8	-20	-19.2	V	
Input Regulation		Reg line	1	$T_j = 25^{\circ}C$	$-32V \leq V_{IN} \leq -26V$	-	10	180	mV
					$-35V \leq V_{IN} \leq -24V$	-	18	360	
Load Regulation		Reg load	1	$T_j = 25^{\circ}C$	$5mA \leq I_{OUT} \leq 1.5A$	-	18	360	mV
					$250mA \leq I_{OUT} \leq 750mA$	-	10	180	
Output Voltage		$V_{OUT}$	1	$-35V \leq V_{IN} \leq -24V$ $5mA \leq I_{OUT} \leq 1.0A$	-21.0	-20	-19.0	V	
Quiescent Current		$I_B$	1	$T_j = 25^{\circ}C$	-	3	6	mA	
Quiescent Current Change		Line	1	$-36.5V \leq V_{IN} \leq -25V$ $5mA \leq I_{OUT} \leq 1.0A$	-	-	1.0	mA	
		Load			-	-	0.5		
Output Noise Voltage		$V_{NO}$	2	$T_a = 25^{\circ}C$ , $10Hz \leq f \leq 100kHz$	-	350	-	$\mu V_{rms}$	
Ripple Rejection Ratio		RR	3	$f = 120Hz$ , $I_{OUT} = 20mA$ ,	54	60	-	dB	
Short Circuit Current Limit		$I_{SC}$	1	$T_j = 25^{\circ}C$	-	1.9	-	A	
Average Temperature Coefficient of Output Voltage		$T_{CVO}$	1	$I_{OUT} = 5mA$	-	-1.0	-	mV/ $^{\circ}C$	
Dropout Voltage		$V_D$	1	$T_j = 25^{\circ}C$ , $I_{OUT} = 1A$	-	2.0	-	V	

# KIA7905P/PI ~ KIA7924P/PI

## ELECTRICAL CHARACTERISTICS

### KIA7924P/PI

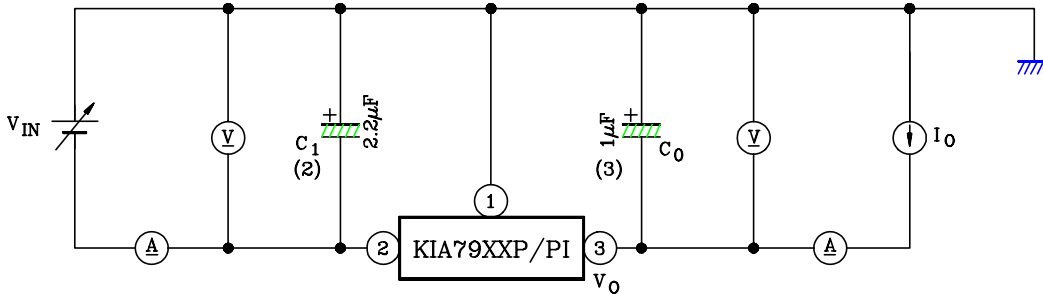
(Unless otherwise specified,  $V_{IN} = -33V$ ,  $I_{OUT} = 500mA$ ,  $0^{\circ}C \leq T_j \leq 125^{\circ}C$ ,  $C_{IN} = 0.33\mu F$ ,  $C_{OUT} = 0.1\mu F$ )

CHARACTERISTIC		SYMBOL	TEST CIRCUIT	TEST CONDITION	MIN.	TYP.	MAX.	UNIT	
Output Voltage		$V_{OUT}$	1	$T_j = 25^{\circ}C$	-25	-24	-23	V	
Input Regulation		Reg line	1	$T_j = 25^{\circ}C$	$-36V \leq V_{IN} \leq -30V$	-	8	240	mV
					$-38V \leq V_{IN} \leq -27V$	-	15	480	
Load Regulation		Reg load	1	$T_j = 25^{\circ}C$	$5mA \leq I_{OUT} \leq 1.5A$	-	15	480	mV
					$250mA \leq I_{OUT} \leq 750mA$	-	5	240	
Output Voltage		$V_{OUT}$	1	$-38V \leq V_{IN} \leq -27V$ $5mA \leq I_{OUT} \leq 1.0A$	-25.2	-24	-22.5	V	
Quiescent Current		$I_B$	1	$T_j = 25^{\circ}C$	-	3	6	mA	
Quiescent Current Change		Line	1	$-38V \leq V_{IN} \leq -27V$ $5mA \leq I_{OUT} \leq 1.0A$	-	-	1.0	mA	
		Load			-	-	0.5		
Output Noise Voltage		$V_{NO}$	2	$T_a = 25^{\circ}C$ , $10Hz \leq f \leq 100kHz$	-	400	-	$\mu V_{rms}$	
Ripple Rejection Ratio		RR	3	$f = 120Hz$ , $I_{OUT} = 20mA$ ,	54	60	-	dB	
Short Circuit Current Limit		$I_{SC}$	1	$T_j = 25^{\circ}C$	-	1.9	-	A	
Average Temperature Coefficient of Output Voltage		$T_{CVO}$	1	$I_{OUT} = 5mA$	-	-1.0	-	mV/ $^{\circ}C$	
Dropout Voltage		$V_D$	1	$T_a = 25^{\circ}C$ , $I_{OUT} = 1A$	-	2.0	-	V	

# KIA7905P/PI ~ KIA7924P/PI

## TEST CIRCUIT

1.  $V_{OUT}$ , Reg·Line, Reg·Load,  $I_B$ ,  $\Delta I_B$ ,  $V_D$ ,  $T_{CVO}$

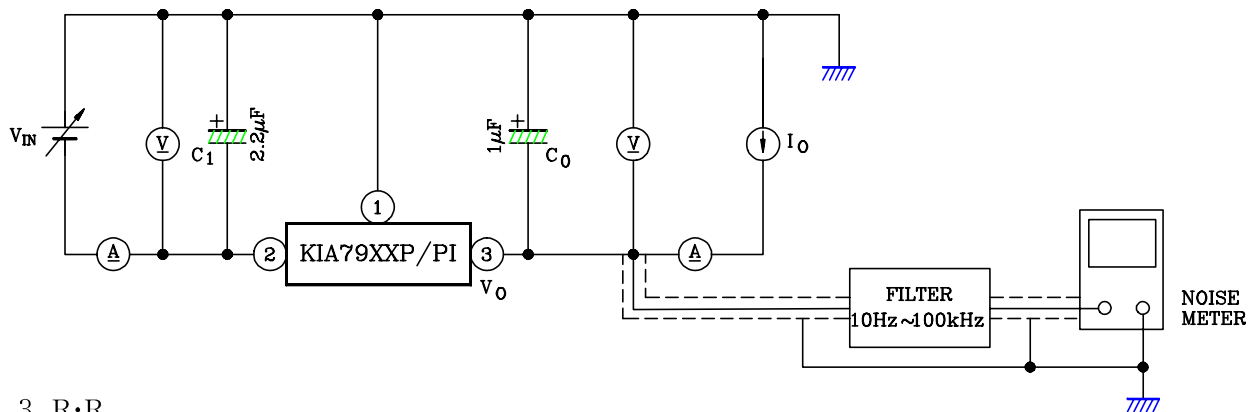


Notes : (1) To specify an output voltage, substitute voltage value for "XX"

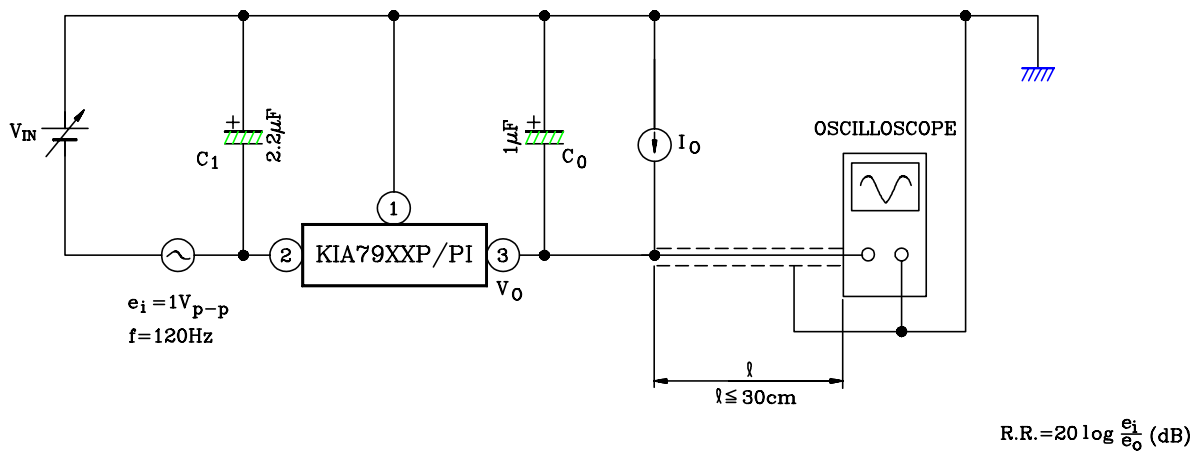
- (2) Required for stability. For value given, capacitor must be solid tantalum. If aluminium electrolytics are used, at least ten times value should be selected.  $C_1$  is required if regulator is located an appreciable distance from power supply filter.

- (3) To improve transient response. If large capacitors are used, a high current diode from input to output (1N4001 or similar) should be introduced to protect the device from momentary input short circuit.

2.  $V_{NO}$



3. R·R



# KIA7905P/PI ~ KIA7924P/PI

