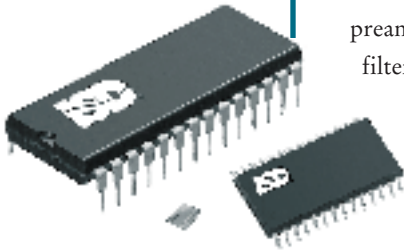




ISD1100 Series

Single-Chip Voice Record/Playback Devices
10- and 12-Second Durations



The ISD1100 ChipCorder® Series provides high-quality, single-chip record/playback solutions to 10- and 12-second messaging applications. The CMOS devices include an on-chip oscillator, microphone preamplifier, automatic gain control, antialiasing filter, smoothing filter and speaker amplifier. A minimum record/playback subsystem can be configured with a microphone, a speaker, several passives, two push-buttons and a power source.

Recordings are stored in on-chip nonvolatile memory cells, providing zero-power message

storage. This unique, single-chip solution is made possible through ISD's patented multilevel storage technology. Voice and audio signals are stored directly into memory in their natural form, providing high-quality, solid-state voice reproduction.

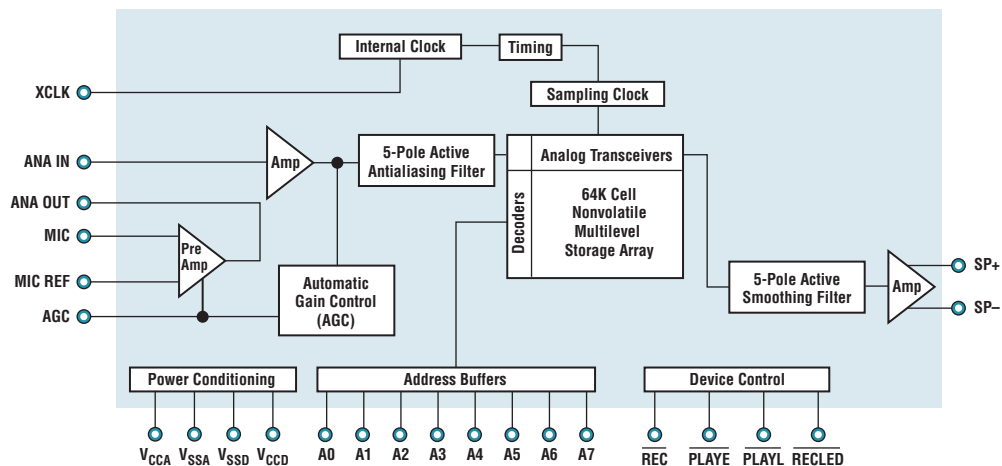
ISD1100 SERIES CAN BE USED IN VARIOUS APPLICATIONS:

- Toys
- Portable recorders
- Promotional items
- Greeting cards
- Warning signs
- Novelties

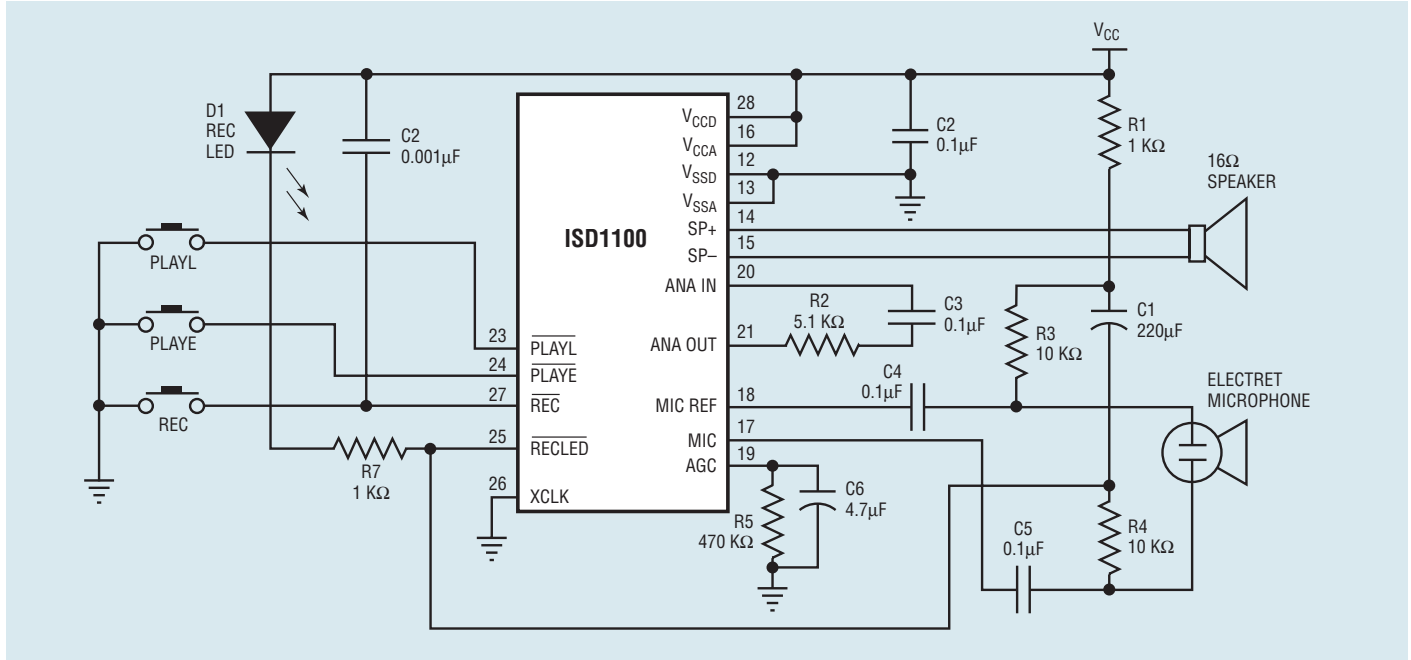
FEATURES

- Easy-to-use single-chip voice record/playback solution
- High-quality, natural voice/audio reproduction
- Push-button interface
- Playback can be edge- or level-activated
- Single-chip durations of 10 and 12 seconds
- Automatic power-down mode
- Enters standby mode immediately following a record or playback cycle
- Standby current 0.5 μ A (typical)
- Zero-power message storage
- Eliminates battery backup circuits
- Fully addressable to handle multiple message
- 100,000 record cycles (typical)
- On-chip clock source
- Single +5 volt power supply
- 100-year message retention (typical)
- Available in die form, PDIP and SOIC packaging

ISD1100 SERIES BLOCK DIAGRAM



ISD1100 SERIES APPLICATION EXAMPLE



ISD1100 SERIES PACKAGE AND TEMPERATURE AVAILABILITY

	ISD1110 (10 Seconds)			ISD1112 (12 Seconds)		
	PDIP	SOIC	DIE	PDIP	SOIC	DIE
Commercial Die (0° to +50°)			•			•
Commercial Packaged (0° to +70°)	•	•		•	•	

ORDERING THE ISD1100 PRODUCTS

ISD11 -

Product Series **Duration** **Package Type** **Special Temperature Field**

ISD1100 Series 10 = 10 seconds
12 = 12 seconds P = 28 Lead 0.600-inch PDIP
S = 28 Lead 0.300-inch SOIC
X = Die Blank = Commercial Die
(0°C to +50°C)
or Commercial Packaged
(0°C to +70°C)



ISD and ChipCorder are registered trademarks of ISD. Printed in the U.S.A. ISD1100PB1-699



To Order Products or More Information:

ADDRESS
2727 N. First Street
San Jose, CA 95134

PHONE
1-800-677-0769 (US Only)
408-943-6666
408-544-1786 (Fax)

WEBSITE
www.isd.com

e-mail
info@isd.com