

# DATA SHEET

For a complete data sheet, please also download:

- The IC04 LOCMOS HE4000B Logic Family Specifications HEF, HEC
- The IC04 LOCMOS HE4000B Logic Package Outlines/Information HEF, HEC

## HEF4071B

### gates

### Quadruple 2-input OR gate

Product specification  
File under Integrated Circuits, IC04

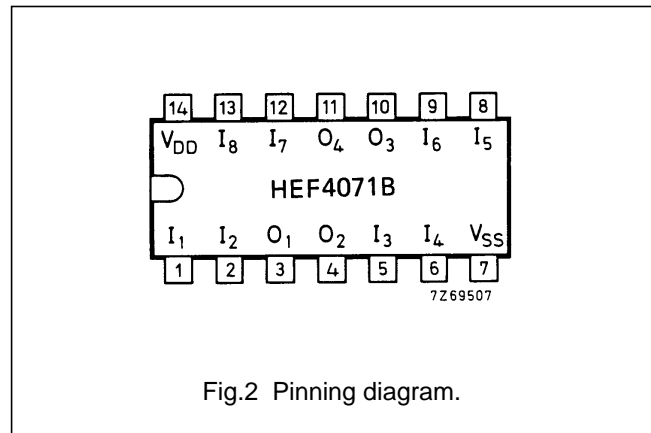
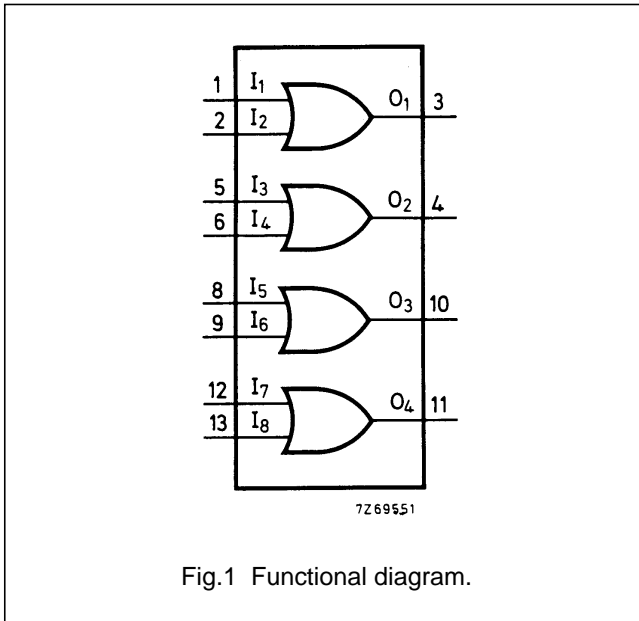
January 1995

# Quadruple 2-input OR gate

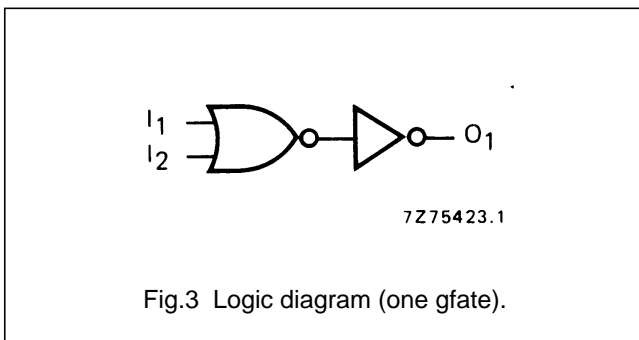
# HEF4071B gates

### DESCRIPTION

The HEF4071B is a positive logic quadruple 2-input OR gate. The outputs are fully buffered for highest noise immunity and pattern insensitivity of output impedance.



- HEF4071BP(N): 14-lead DIL; plastic (SOT27-1)
- HEF4071BD(F): 14-lead DIL; ceramic (cerdip) (SOT73)
- HEF4071BT(D): 14-lead SO; plastic (SOT108-1)
- ( ): Package Designator North America



### FAMILY DATA, I<sub>DD</sub> LIMITS category GATES

See Family Specifications

# Quadruple 2-input OR gate

## HEF4071B gates

### AC CHARACTERISTICS

$V_{SS} = 0$  V;  $T_{amb} = 25$  °C;  $C_L = 50$  pF; input transition times  $\leq 20$  ns

	$V_{DD}$ V	SYMBOL	TYP.	MAX.		TYPICAL EXTRAPOLATION FORMULA
Propagation delays $I_n \rightarrow O_n$	5	$t_{PHL}$	55	115	ns	28 ns + (0,55 ns/pF) $C_L$
			25	50	ns	15 ns + (0,23 ns/pF) $C_L$
			20	35	ns	12 ns + (0,16 ns/pF) $C_L$
	10	$t_{PLH}$	45	90	ns	18 ns + (0,55 ns/pF) $C_L$
			20	45	ns	9 ns + (0,23 ns/pF) $C_L$
			15	30	ns	7 ns + (0,16 ns/pF) $C_L$
Output transition times	5	$t_{THL}$	60	120	ns	10 ns + (1,0 ns/pF) $C_L$
			30	60	ns	9 ns + (0,42 ns/pF) $C_L$
			20	40	ns	6 ns + (0,28 ns/pF) $C_L$
	10	$t_{TLH}$	60	120	ns	10 ns + (1,0 ns/pF) $C_L$
			30	60	ns	9 ns + (0,42 ns/pF) $C_L$
			20	40	ns	6 ns + (0,28 ns/pF) $C_L$

	$V_{DD}$ V	TYPICAL FORMULA FOR P ( $\mu$ W)	
Dynamic power dissipation per package (P)	5	$1150 f_i + \sum (f_o C_L) \times V_{DD}^2$	where $f_i$ = input freq. (MHz) $f_o$ = output freq. (MHz) $C_L$ = load capacitance (pF) $\sum (f_o C_L)$ = sum of outputs $V_{DD}$ = supply voltage (V)
	10	$4800 f_i + \sum (f_o C_L) \times V_{DD}^2$	
	15	$19\,700 f_i + \sum (f_o C_L) \times V_{DD}^2$	