



广州市番禺奥迪威电子有限公司
Audiowell Electronics (Guangzhou) Co., Ltd.
 地址: 中国广东省广州市番禺区迎宾路东升工业区 邮政编码: 511400
 Add: Dongsheng Industrial Park, Yingbin Road, Panyu, Guangzhou 511400, China
 Tel: +86-20-84802041 84802405 84871596 34516785 Fax: 84865207



超 声 波 换 能 片

Ultrasonic Piezoelectric Transducer

本公司的超声波雾化片技术,与传统的以镍或钛为电极的雾化片相比,我们的特殊保护电极在耐酸、耐碱、耐空化腐蚀方面性能优越,具有电极强度高,不易结垢,实际使用寿命长的特点。

we are producing ultrasonic atomizing transducers of compact and higher performances. Our specially electrode protection layer of the transducer is far superior to Nickel or Titanium electrode used in traditional transducers, it has more advantages in withstanding acid, alkaline and cavitation corrosion, so it features higher strength, less water scale, and longer lifetime

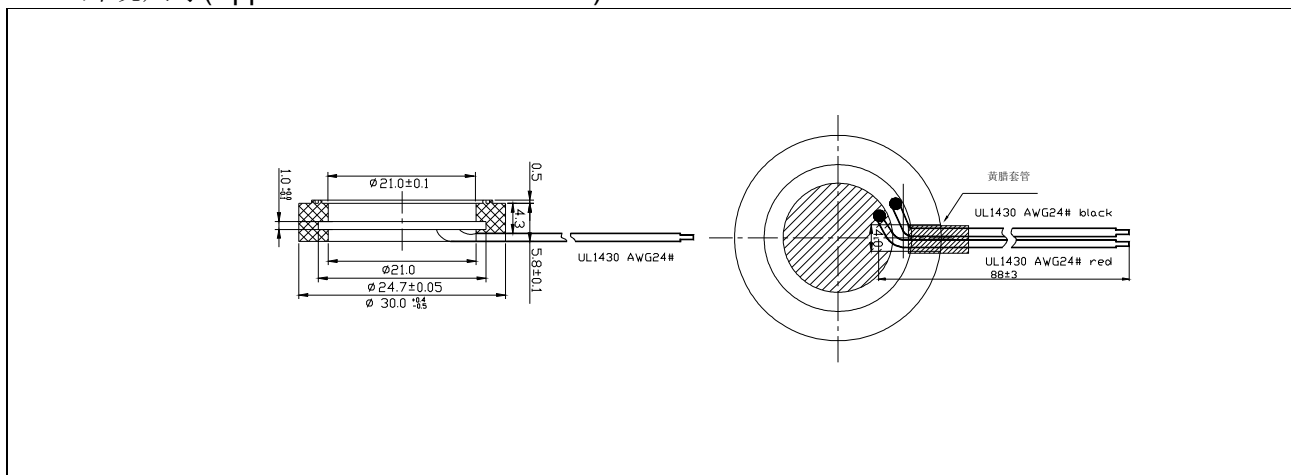
■ 产品型号 (Model): AW16Y25120D2L15J3

NO.Fog08032

■ 晶片性能参数(Electrical specification):

项目 Item	单位 Unit	标 准 Standard	测试条件(Test condition): T=25±5°C
谐振频率 Thick resonant frequency	MHz	1.66±0.05	恒压法 (见附页)
谐振阻抗 Resonant impedance	Ω	≤2.0	恒压法 (见附页)
静电容量 Static capacitance	pF	1700±20%	数字电桥 At 1000Hz/1V
机电耦合系数(Kt) Electrical-mechanical coupling coefficient(Kt)		≥0.45	恒压法 (Fs3/Fs1)
雾化量 Fog output	ml/h	400	见附页 (see the attachment)
寿命 Life time	hour	5000	

■ 外观尺寸(Appearance and dimensions):



Remark: This specification is subject to change without prior notice .

A1/20050825