

ANX6212 – DisplayPort™ 1.2 to VGA Converter with OCM

While VGA support is decreasing in notebooks, there continues to be a need for VGA connections with its huge installed base of monitors, projectors, and TVs. The ANX6212 addresses this gap with the highest performing, DisplayPort to VGA converter of its kind.

With its on-chip MCU and memory, the ANX6212 does not require any external configuration or setup. The ANX6212 automatically directs the DisplayPort output from the PC or mobile phone to VGA, effectively working with all types of legacy monitors, projectors, and TVs, including ones without EDIDs.

Features

VGA output

- Supports resolutions up to WQXGA (2560x1600 @60Hz, 24bpp)
- VGA output meets VESA VSIS v1r2 clock jitter specification
- VGA output pixel rate up to 270 MHz
- Low power standby mode with automatic monitor plug and unplug detect
- EDID and MCCS pass-through support
- Support for no-EDID monitors

DisplayPort input

- VESA compliant DisplayPort™ 1.2 receiver
- VESA compliant eDP v1.3 receiver
- 2 lane high speed differential input with configurable speed: 5.4Gbps, 2.7Gbps, or 1.62Gbps
- Support for MyDP and SlimPort Adapters

Optimized for VGA Adapters

- Integrated MCU and EEPROM for added flexibility
- Single 3.3V power supply
- 5.0V power output for VGA DDC
- Minimum BOM requirements

Other Features

- Under 350mW operation at WUXGA resolutions (no regulators)
- 600mW active power with all regulators active
- 12mW standby power
- Field upgradable through DP Aux or I2C
- MCU can control external components
- 27MHz crystal input (100ppm)
- -10 to +75C operating temperature
- 6x6mm, 48 QFN (0.4mm pitch) package

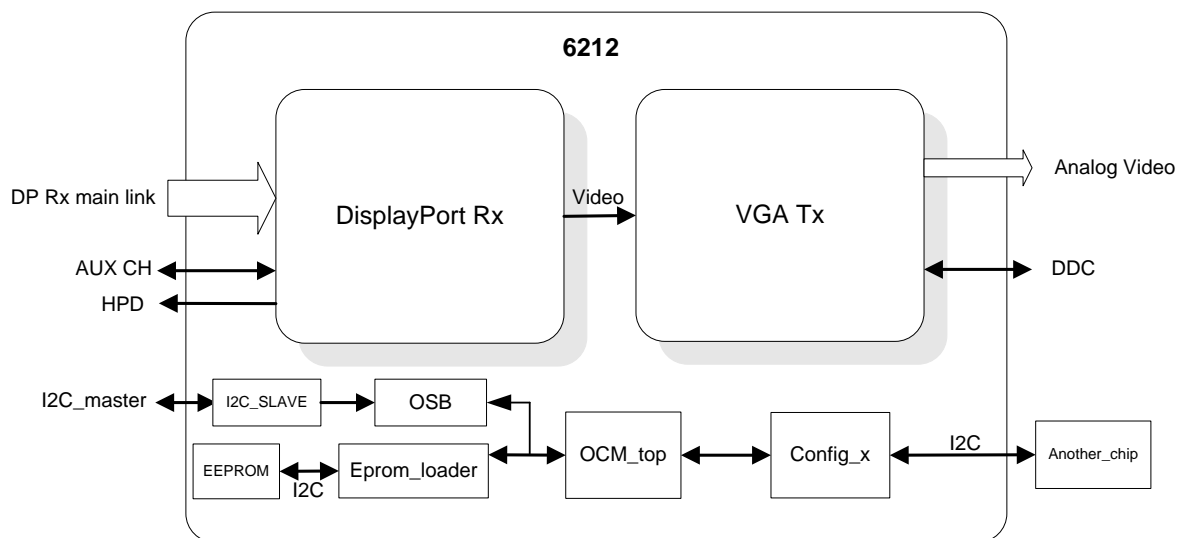


Figure 1: ANX6212 Block Diagram

Ordering Information

Part No.	Description
ANX6212FN-AC-T	DisplayPort™ to VGA converter with OCM 48 pin, 6 x 6 mm, QFN package (Tray)
ANX6212FN-AC-R	DisplayPort™ to VGA converter with OCM 48 pin, 6 x 6 mm, QFN package (Tape and Reel)
ANX6212-EV	ANX6212 Evaluation Kit

Related Products

Part No.	Description
ANX1121	DisplayPort™ 1.1a to Single Channel LVDS Translator
ANX1122	DisplayPort™ 1.2 to Dual Channel LVDS Translator
ANX1123	DisplayPort™ 1.2 to Dual Channel LVDS Translator (30 bit color)
ANX6470	DisplayPort™ 1.2 Multi-Stream Hub with VGA, HDMI, and DP outputs
ANX6211	DisplayPort™ 1.2 to VGA converter

Copyright ©2012 Analogix Semiconductor, Inc.
3211 Scott Blvd., Suite 103
Santa Clara, CA 95054, USA
Tel: (+1) 408-988-8848

<http://www.analogix.com>

©2012 Analogix Semiconductor, Inc. All Rights reserved.

THE INFORMATION CONTAINED IN THIS DOCUMENT IS PROVIDED "AS IS" WITHOUT ANY EXPRESS REPRESENTATIONS OF WARRANTIES. IN ADDITION, ANALOGIX SEMICONDUCTOR INC. DISCLAIMS ALL IMPLIED REPRESENTATIONS AND WARRANTIES, INCLUDING ANY WARRANTY OF MERCHANTABILITY, FITNESS FOR A PARTICULAR PURPOSE, OR NON-INFRINGEMENT OF THIRD PARTY INTELLECTUAL PROPERTY RIGHTS. SPECIFICATION IS SUBJECT TO CHANGE WITHOUT NOTICE.

This document contains proprietary information of Analogix Semiconductor, Inc. or under license from third parties. No part of this document may be reproduced in any form or by any means or transferred to any third party without the prior written consent of Analogix Semiconductor, Inc. The information contained in this document is not designed or intended for use in on-line control of aircraft, aircraft navigation or aircraft communications; or in the design, construction, operation or maintenance of any nuclear facility. Analogix disclaims any express or implied warranty of fitness for such uses.

Analogix Semiconductor, Inc., the Analogix Logo, and WideEye™ SerDes, and CoolHD™ are trademarks of Analogix Semiconductor, Inc., in the United States and other countries.

HDMI, the HDMI logo and High-Definition Multimedia Interface are trademarks or registered trademarks of HDMI Licensing LLC.

DisplayPort™ and the DisplayPort™ logo are trademarks or registered trademarks of the Video Electronics Standards Association, VESA®.

All other trademarks and registered trademarks are the property of their respective owners.