

512K (64K x 8) CMOS EPROM

FEATURES

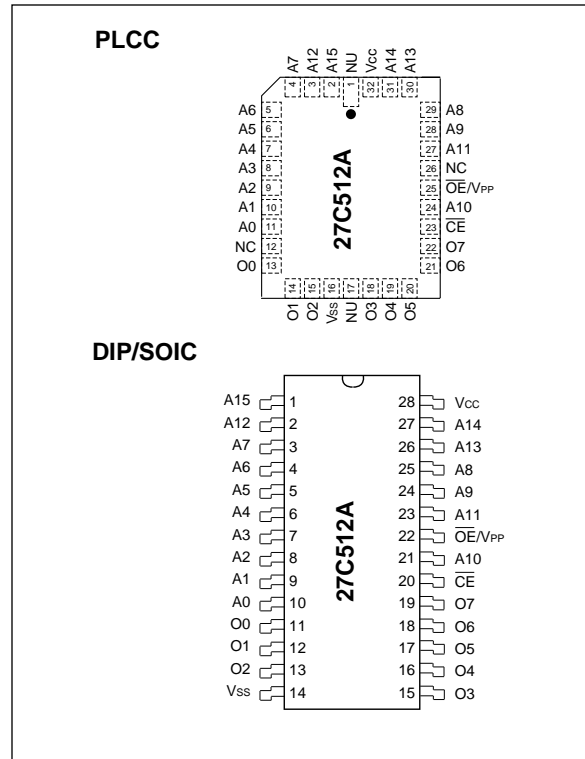
- High speed performance
- CMOS Technology for low power consumption
 - 25 mA Active current
 - 30 μ A Standby current
- Factory programming available
- Auto-insertion-compatible plastic packages
- Auto ID aids automated programming
- High speed express programming algorithm
- Organized 64K x 8: JEDEC standard pinouts
 - 28-pin Dual-in-line package
 - 32-pin PLCC Package
 - 28-pin SOIC package
 - Tape and reel
- Data Retention > 200 years
- Available for the following temperature ranges
 - Commercial: 0°C to +70°C
 - Industrial: -40°C to +85°C
 - Automotive: -40°C to +125°C

DESCRIPTION

The Microchip Technology Inc. 27C512A is a CMOS 512K bit electrically Programmable Read Only Memory (EPROM). The device is organized into 64K words by 8 bits (64K bytes). Accessing individual bytes from an address transition or from power-up (chip enable pin going low) is accomplished in less than 90 ns. This very high speed device allows the most sophisticated microprocessors to run at full speed without the need for WAIT states. CMOS design and processing enables this part to be used in systems where reduced power consumption and high reliability are requirements.

A complete family of packages is offered to provide the most flexibility in applications. For surface mount applications, PLCC or SOIC packaging is available. Tape and reel packaging is also available for PLCC or SOIC packages.

PACKAGE TYPES



27C512A

1.0 ELECTRICAL CHARACTERISTICS

1.1 Maximum Ratings*

VCC and input voltages w.r.t. VSS -0.6V to +7.25V
 VPP voltage w.r.t. VSS during programming -0.6V to +14V
 Voltage on A9 w.r.t. VSS -0.6V to +13.5V
 Output voltage w.r.t. VSS -0.6V to VCC +1.0V
 Storage temperature -65°C to +150°C
 Ambient temp. with power applied -65°C to +125°C

*Notice: Stresses above those listed under "Maximum Ratings" may cause permanent damage to the device. This is a stress rating only and functional operation of the device at those or any other conditions above those indicated in the operation listings of this specification is not implied. Exposure to maximum rating conditions for extended periods may affect device reliability.

TABLE 1-1: PIN FUNCTION TABLE

Name	Function
A0-A15	Address Inputs
\overline{CE}	Chip Enable
\overline{OE}/V_{PP}	Output Enable/Programming Voltage
O0 - O7	Data Output
VCC	+5V Power Supply
VSS	Ground
NC	No Connection; No Internal Connection
NU	Not Used; No External Connection is Allowed

TABLE 1-2: READ OPERATION DC CHARACTERISTICS

VCC = +5V ±10% Commercial: Tamb = 0°C to +70°C Industrial: Tamb = -40°C to +85°C Extended (Automotive): Tamb = -40°C to +125°C							
Parameter	Part*	Status	Symbol	Min	Max	Units	Conditions
Input Voltages	all	Logic "1" Logic "0"	VIH VIL	2.0 -0.5	VCC+1 0.8	V V	
Input Leakage	all		ILI	-10	10	µA	VIN = 0 to VCC
Output Voltages	all	Logic "1" Logic "0"	VOH VOL	2.4	0.45	V V	IOH = - 400 µA IOL = 2.1 mA
Output Leakage	all	—	ILO	-10	10	µA	VOUT = 0V to VCC
Input Capacitance	all	—	CIN	—	6	pF	VIN = 0V; Tamb = 25°C; f = 1 MHz
Output Capacitance	all	—	COUT	—	12	pF	VOUT = 0V; Tamb = 25°C; f = 1 MHz
Power Supply Current, Active	C I, E	TTL input TTL input	ICC ICC	— —	25 35	mA mA	VCC = 5.5V f = 1 MHz; $\overline{OE}/V_{PP} = \overline{CE} = V_{IL}$; IOUT = 0 mA; VIL = -0.1 to 0.8V; VIH = 2.0 to VCC; Note 1
Power Supply Current, Standby	C I, E all	TTL input TTL input CMOS input	ICC(S)TLL ICC(S)TLL ICC(S)CMOS	— — —	1 2 30	mA mA µA	$\overline{CE} = V_{CC} \pm 0.2V$

* Parts: C=Commercial Temperature Range; I, E=Industrial and Extended Temperature Ranges

Note 1: Typical active current increases .75 mA per MHz up to operating frequency for all temperature ranges.

TABLE 1-3: READ OPERATION AC CHARACTERISTICS

		AC Testing Waveform:		$V_{IH} = 2.4V$ and $V_{IL} = .45V$; $V_{OH} = 2.0V$ and $V_{OL} = 0.8V$							
		Output Load:		1 TTL Load + 100 pF							
		Input Rise and Fall Times:		10 ns							
		Ambient Temperature:		Commercial:		Tamb = 0°C to +70°C		Industrial:		Tamb = -40°C to +85°C	
				Extended (Automotive):		Tamb = -40°C to +125°C					
Parameter	Sym	27C512-90*		27C512-10*		27C512-12		27C512-15		Units	Conditions
		Min	Max	Min	Max	Min	Max	Min	Max		
Address to Output Delay	tACC	—	90	—	100	—	120	—	150	ns	$\overline{CE} = \overline{OE}/V_{PP} = V_{IL}$
\overline{CE} to Output Delay	tCE	—	90	—	100	—	120	—	150	ns	$\overline{OE}/V_{PP} = V_{IL}$
\overline{OE} to Output Delay	tOE	—	40	—	40	—	50	—	60	ns	$\overline{CE} = V_{IL}$
\overline{OE} to Output High Impedance	tOFF	0	35	0	35	0	40	0	45	ns	
Output Hold from Address, \overline{CE} or \overline{OE}/V_{PP} , whichever occurred first	tOH	0	—	0	—	0	—	0	—	ns	

*90/10 AC Testing Waveforms: $V_{IH} = 3.0V$ and $V_{IL} = 0V$; $V_{OH} = 1.5V$ and $V_{OL} = 1.5V$
Output Load: 1 TTL Load + 30 pF

FIGURE 1-1: READ WAVEFORMS

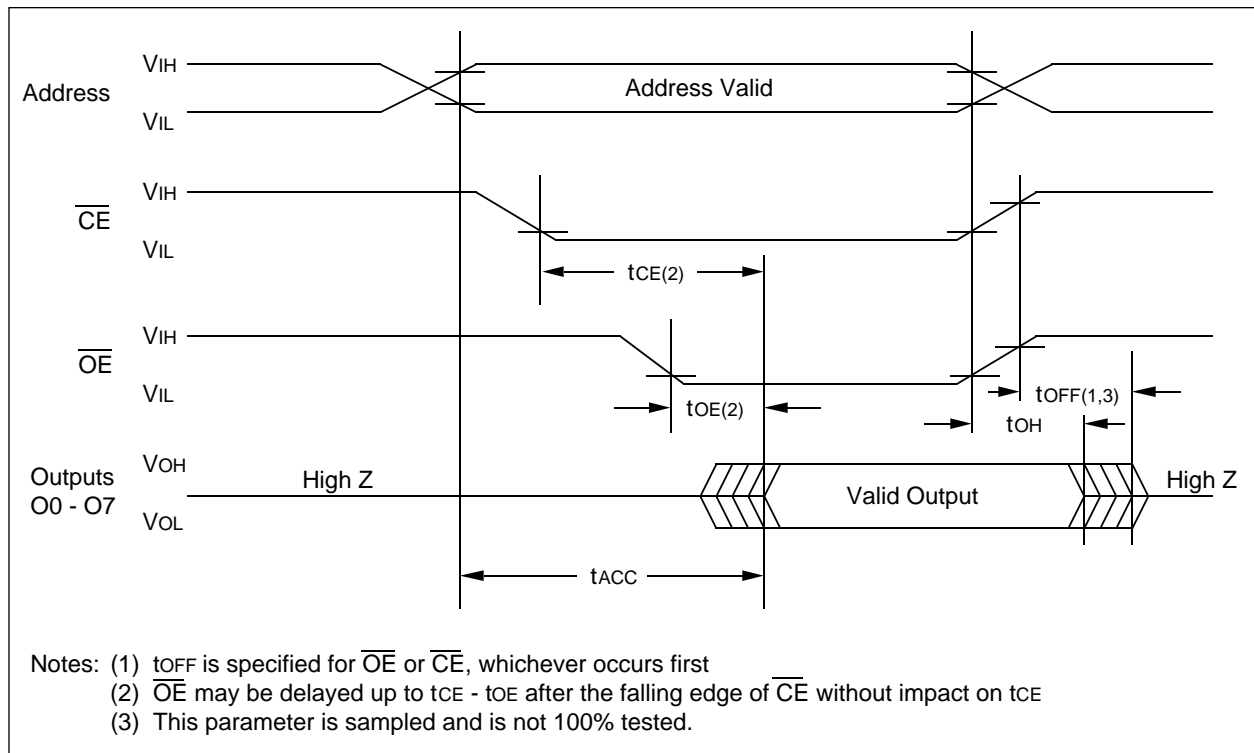


TABLE 1-4: PROGRAMMING DC CHARACTERISTICS

Ambient Temperature: T _{amb} = 25°C ± 5°C V _{CC} = 6.5V ± 0.25V, \overline{OE}/V_{PP} = V _H = 13.0V ± 0.25V						
Parameter	Status	Symbol	Min.	Max.	Units	Conditions (See Note 1)
Input Voltages	Logic "1"	V _{IH}	2.0	V _{CC} +1	V	
	Logic "0"	V _{IL}	-0.1	0.8	V	
Input Leakage	—	I _{LI}	-10	10	μA	V _{IN} = 0V to V _{CC}
Output Voltages	Logic "1"	V _{OH}	2.4		V	I _{OH} = -400 μA
	Logic "0"	V _{OL}	—	0.45	V	I _{OL} = 2.1 mA
V _{CC} Current, program & verify	—	I _{CC2}	—	35	mA	\overline{CE} = V _{IL}
\overline{OE}/V_{PP} Current, program	—	I _{PP2}	—	25	mA	
A9 Product Identification	—	V _{ID}	11.5	12.5	V	

Note 1: V_{CC} must be applied simultaneously or before V_{PP} voltage on \overline{OE}/V_{PP} and removed simultaneously or after the V_{PP} voltage on \overline{OE}/V_{PP} .

TABLE 1-5: PROGRAMMING AC CHARACTERISTICS

for Program, Program Verify and Program Inhibit Modes		AC Testing Waveform: V _{IH} =2.4V and V _{IL} =0.45V; V _{OH} =2.0V; V _{OL} =0.8V Ambient Temperature: 25°C ± 5°C V _{CC} = 6.5V ± 0.25V, \overline{OE}/V_{PP} = V _H = 13.0V ± 0.25 V				
Parameter	Symbol	Min.	Max.	Units	Remarks	
Address Set-Up Time	t _{AS}	2	—	μs		
Data Set-Up Time	t _{DS}	2	—	μs		
Data Hold Time	t _{DH}	2	—	μs		
Address Hold Time	t _{AH}	0	—	μs		
Float Delay (2)	t _{DF}	0	130	ns		
V _{CC} Set-Up Time	t _{VCS}	2	—	μs		
Program Pulse Width (1)	t _{PW}	95	105	μs	100 μs typical	
\overline{CE} Set-Up Time	t _{CES}	2	—	μs		
\overline{OE} Set-Up Time	t _{OES}	2	—	μs		
\overline{OE} Hold Time	t _{OEH}	2	—	μs		
\overline{OE} Recovery Time	t _{OR}	2	—	μs		
\overline{OE}/V_{PP} Rise Time During Programming	t _{PRT}	50	—	ns		

Note 1: For express algorithm, initial programming width tolerance is 100 μs ± 5%.

2: This parameter is only sampled and not 100% tested. Output float is defined as the point where data is no longer driven (see timing diagram).

FIGURE 1-2: PROGRAMMING WAVEFORMS (1)

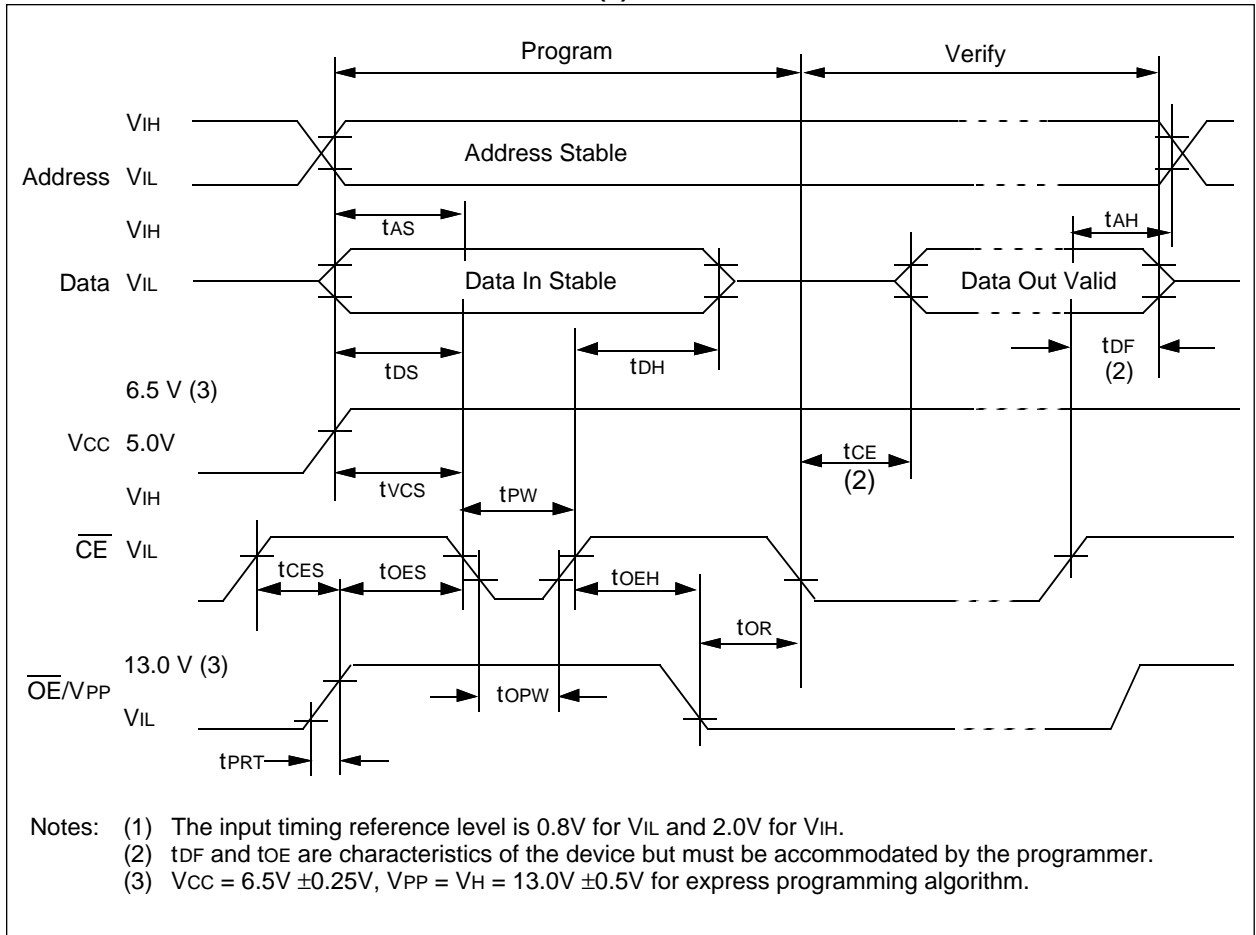


TABLE 1-6: MODES

Operation Mode	CE	OE/VPP	A9	00 - 07
Read	V _{IL}	V _{IL}	X	DOUT
Program	V _{IL}	V _H	X	DIN
Program Verify	V _{IL}	V _{IL}	X	DOUT
Program Inhibit	V _{IH}	V _H	X	High Z
Standby	V _{IH}	X	X	High Z
Output Disable	V _{IL}	V _{IH}	X	High Z
Identity	V _{IL}	V _{IL}	V _H	Identity Code

X = Don't Care

1.2 Read Mode

(See Timing Diagrams and AC Characteristics)

Read Mode is accessed when

- a) the CE pin is low to power up (enable) the chip
- b) the OE/VPP pin is low to gate the data to the output pins

For Read operations, if the addresses are stable, the address access time (t_{ACC}) is equal to the delay from CE to output (t_{CE}). Data is transferred to the output after a delay (t_{OE}) from the falling edge of OE/VPP.

27C512A

1.3 Standby Mode

The standby mode is entered when the \overline{CE} pin is high, and the program mode is not identified.

When this conditions are met, the supply current will drop from 25 mA to 30 μ A.

1.4 Output Enable \overline{OE}/V_{PP}

This multifunction pin eliminates bus connection in multiple bus microprocessor systems and the outputs go to high impedance when:

- the \overline{OE}/V_{PP} pin is high (V_{IH}).

When a V_H input is applied to this pin, it supplies the programming voltage (V_{PP}) to the device.

1.5 Erase Mode (UV Windowed Versions)

Windowed products offer the ability to erase the memory array. The memory matrix is erased to the all "1's" state as a result of being exposed to ultraviolet light. To ensure complete erasure, a dose of 15 watt-second/cm² is required. This means that the device window must be placed within one inch and directly underneath an ultraviolet lamp with a wavelength of 2537 Angstroms, intensity of 12,000 mW/cm² for approximately 40 minutes.

1.6 Programming Mode

The Express algorithm must be used for best results. It has been developed to improve programming yields and throughput times in a production environment. Up to 10 100-microsecond pulses are applied until the byte is verified. A flowchart of the Express algorithm is shown in Figure 1-3.

Programming takes place when:

- V_{CC} is brought to the proper voltage,
- \overline{OE}/V_{PP} is brought to the proper V_H level, and
- \overline{CE} line is low.

Since the erased state is "1" in the array, programming of "0" is required. The address to be programmed is set via pins A0 - A15 and the data to be programmed is presented to pins O0 - O7. When data and address are stable, a low going pulse on the \overline{CE} line programs that location.

1.7 Verify

After the array has been programmed it must be verified to ensure all the bits have been correctly programmed. This mode is entered when all the following conditions are met:

- V_{CC} is at the proper level,
- the \overline{OE}/V_{PP} pin is low, and
- the \overline{CE} line is low.

1.8 Inhibit

When programming multiple devices in parallel with different data, only \overline{CE} needs to be under separate control to each device. By pulsing the \overline{CE} line low on a particular device, that device will be programmed; all other devices with \overline{CE} held high will not be programmed with the data (although address and data will be available on their input pins).

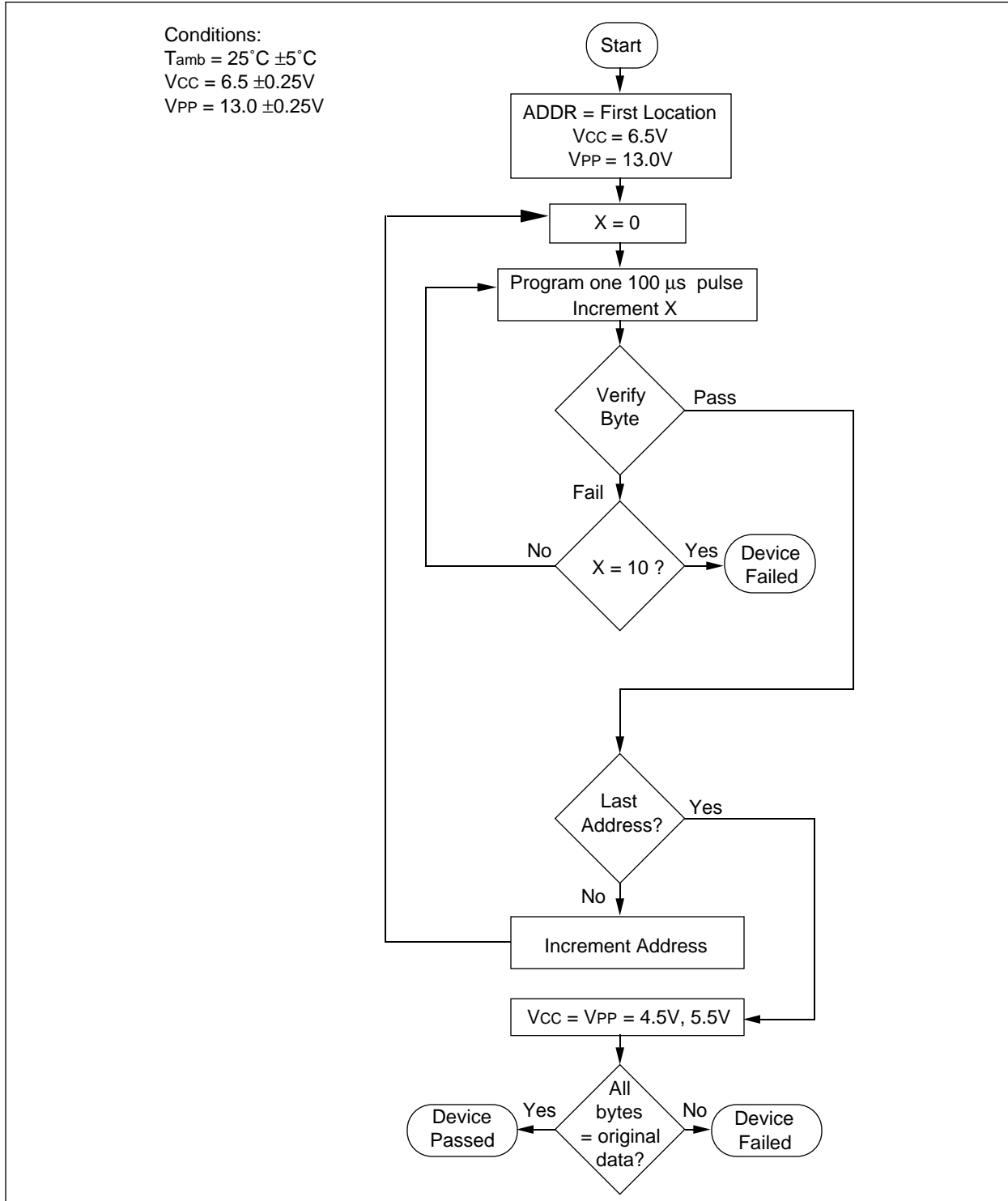
1.9 Identity Mode

In this mode specific data is output which identifies the manufacturer as Microchip Technology Inc. and the device type. This mode is entered when Pin A9 is taken to V_H (11.5V to 12.5V). The \overline{CE} and \overline{OE}/V_{PP} lines must be at V_{IL} . A0 is used to access any of the two non-erasable bytes whose data appears on O0 through O7.

Pin \rightarrow	Input	Output								
Identity \downarrow	A0	0	0	0	0	0	0	0	0	H e x
		7	6	5	4	3	2	1	0	
Manufacturer	V_{IL}	0	0	1	0	1	0	0	1	29
Device Type*	V_{IH}	1	0	0	0	1	1	0	0	0D

* Code subject to change

FIGURE 1-3: PROGRAMMING EXPRESS ALGORITHM



27C512A

NOTES:

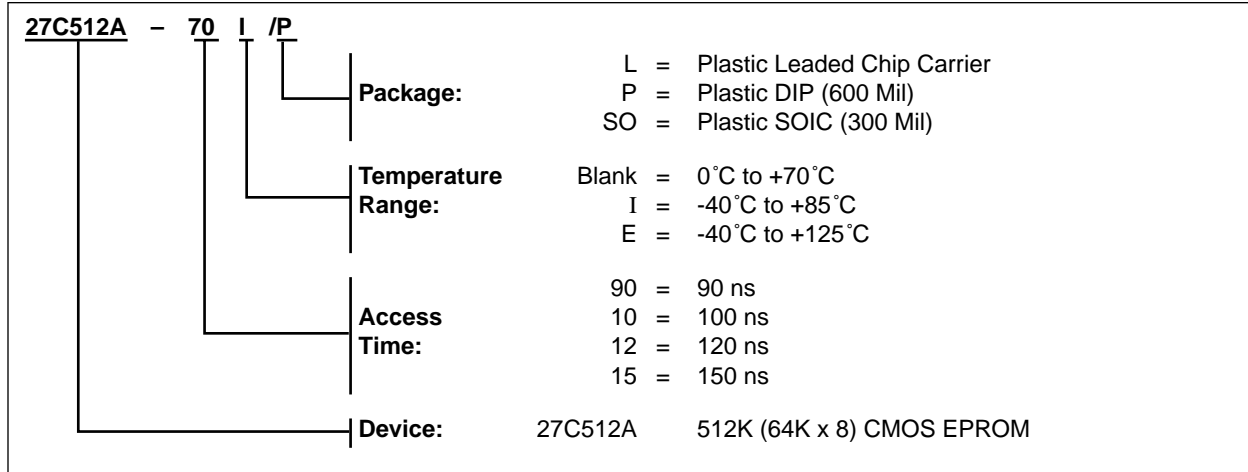
NOTES:

27C512A

NOTES:

27C512A Product Identification System

To order or to obtain information (e.g., on pricing or delivery), please use listed part numbers, and refer to factory or listed sales offices.



Note the following details of the code protection feature on PICmicro® MCUs.

- The PICmicro family meets the specifications contained in the Microchip Data Sheet.
- Microchip believes that its family of PICmicro microcontrollers is one of the most secure products of its kind on the market today, when used in the intended manner and under normal conditions.
- There are dishonest and possibly illegal methods used to breach the code protection feature. All of these methods, to our knowledge, require using the PICmicro microcontroller in a manner outside the operating specifications contained in the data sheet. The person doing so may be engaged in theft of intellectual property.
- Microchip is willing to work with the customer who is concerned about the integrity of their code.
- Neither Microchip nor any other semiconductor manufacturer can guarantee the security of their code. Code protection does not mean that we are guaranteeing the product as “unbreakable”.
- Code protection is constantly evolving. We at Microchip are committed to continuously improving the code protection features of our product.

If you have any further questions about this matter, please contact the local sales office nearest to you.

Information contained in this publication regarding device applications and the like is intended through suggestion only and may be superseded by updates. It is your responsibility to ensure that your application meets with your specifications. No representation or warranty is given and no liability is assumed by Microchip Technology Incorporated with respect to the accuracy or use of such information, or infringement of patents or other intellectual property rights arising from such use or otherwise. Use of Microchip's products as critical components in life support systems is not authorized except with express written approval by Microchip. No licenses are conveyed, implicitly or otherwise, under any intellectual property rights.

Trademarks

The Microchip name and logo, the Microchip logo, FilterLab, KEELOQ, microID, MPLAB, PIC, PICmicro, PICMASTER, PICSTART, PRO MATE, SEEVAL and The Embedded Control Solutions Company are registered trademarks of Microchip Technology Incorporated in the U.S.A. and other countries.

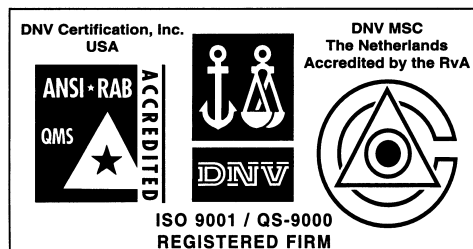
dsPIC, ECONOMONITOR, FanSense, FlexROM, fuzzyLAB, In-Circuit Serial Programming, ICSP, ICEPIC, microPort, Migratable Memory, MPASM, MPLIB, MPLINK, MPSIM, MXDEV, PICC, PICDEM, PICDEM.net, rPIC, Select Mode and Total Endurance are trademarks of Microchip Technology Incorporated in the U.S.A.

Serialized Quick Turn Programming (SQTP) is a service mark of Microchip Technology Incorporated in the U.S.A.

All other trademarks mentioned herein are property of their respective companies.

© 2002, Microchip Technology Incorporated, Printed in the U.S.A., All Rights Reserved.

 Printed on recycled paper.



Microchip received QS-9000 quality system certification for its worldwide headquarters, design and wafer fabrication facilities in Chandler and Tempe, Arizona in July 1999. The Company's quality system processes and procedures are QS-9000 compliant for its PICmicro® 8-bit MCUs, KEELOQ® code hopping devices, Serial EEPROMs and microperipheral products. In addition, Microchip's quality system for the design and manufacture of development systems is ISO 9001 certified.



MICROCHIP

WORLDWIDE SALES AND SERVICE

AMERICAS

Corporate Office

2355 West Chandler Blvd.
Chandler, AZ 85224-6199
Tel: 480-792-7200 Fax: 480-792-7277
Technical Support: 480-792-7627
Web Address: <http://www.microchip.com>

Rocky Mountain

2355 West Chandler Blvd.
Chandler, AZ 85224-6199
Tel: 480-792-7966 Fax: 480-792-7456

Atlanta

500 Sugar Mill Road, Suite 200B
Atlanta, GA 30350
Tel: 770-640-0034 Fax: 770-640-0307

Boston

2 Lan Drive, Suite 120
Westford, MA 01886
Tel: 978-692-3848 Fax: 978-692-3821

Chicago

333 Pierce Road, Suite 180
Itasca, IL 60143
Tel: 630-285-0071 Fax: 630-285-0075

Dallas

4570 Westgrove Drive, Suite 160
Addison, TX 75001
Tel: 972-818-7423 Fax: 972-818-2924

Detroit

Tri-Atria Office Building
32255 Northwestern Highway, Suite 190
Farmington Hills, MI 48334
Tel: 248-538-2250 Fax: 248-538-2260

Kokomo

2767 S. Albright Road
Kokomo, Indiana 46902
Tel: 765-864-8360 Fax: 765-864-8387

Los Angeles

18201 Von Karman, Suite 1090
Irvine, CA 92612
Tel: 949-263-1888 Fax: 949-263-1338

New York

150 Motor Parkway, Suite 202
Hauppauge, NY 11788
Tel: 631-273-5305 Fax: 631-273-5335

San Jose

Microchip Technology Inc.
2107 North First Street, Suite 590
San Jose, CA 95131
Tel: 408-436-7950 Fax: 408-436-7955

Toronto

6285 Northam Drive, Suite 108
Mississauga, Ontario L4V 1X5, Canada
Tel: 905-673-0699 Fax: 905-673-6509

ASIA/PACIFIC

Australia

Microchip Technology Australia Pty Ltd
Suite 22, 41 Rawson Street
Epping 2121, NSW
Australia
Tel: 61-2-9868-6733 Fax: 61-2-9868-6755

China - Beijing

Microchip Technology Consulting (Shanghai)
Co., Ltd., Beijing Liaison Office
Unit 915
Bei Hai Wan Tai Bldg.
No. 6 Chaoyangmen Beidajie
Beijing, 100027, No. China
Tel: 86-10-85282100 Fax: 86-10-85282104

China - Chengdu

Microchip Technology Consulting (Shanghai)
Co., Ltd., Chengdu Liaison Office
Rm. 2401, 24th Floor,
Ming Xing Financial Tower
No. 88 TIDU Street
Chengdu 610016, China
Tel: 86-28-6766200 Fax: 86-28-6766599

China - Fuzhou

Microchip Technology Consulting (Shanghai)
Co., Ltd., Fuzhou Liaison Office
Unit 28F, World Trade Plaza
No. 71 Wusi Road
Fuzhou 350001, China
Tel: 86-591-7503506 Fax: 86-591-7503521

China - Shanghai

Microchip Technology Consulting (Shanghai)
Co., Ltd.
Room 701, Bldg. B
Far East International Plaza
No. 317 Xian Xia Road
Shanghai, 200051
Tel: 86-21-6275-5700 Fax: 86-21-6275-5060

China - Shenzhen

Microchip Technology Consulting (Shanghai)
Co., Ltd., Shenzhen Liaison Office
Rm. 1315, 13/F, Shenzhen Kerry Centre,
Renminnan Lu
Shenzhen 518001, China
Tel: 86-755-2350361 Fax: 86-755-2366086

Hong Kong

Microchip Technology Hongkong Ltd.
Unit 901-6, Tower 2, Metroplaza
223 Hing Fong Road
Kwai Fong, N.T., Hong Kong
Tel: 852-2401-1200 Fax: 852-2401-3431

India

Microchip Technology Inc.
India Liaison Office
Divyasree Chambers
1 Floor, Wing A (A3/A4)
No. 11, O'Shaugnessey Road
Bangalore, 560 025, India
Tel: 91-80-2290061 Fax: 91-80-2290062

Japan

Microchip Technology Japan K.K.
Benex S-1 6F
3-18-20, Shinyokohama
Kohoku-Ku, Yokohama-shi
Kanagawa, 222-0033, Japan
Tel: 81-45-471- 6166 Fax: 81-45-471-6122

Korea

Microchip Technology Korea
168-1, Youngbo Bldg. 3 Floor
Samsung-Dong, Kangnam-Ku
Seoul, Korea 135-882
Tel: 82-2-554-7200 Fax: 82-2-558-5934

Singapore

Microchip Technology Singapore Pte Ltd.
200 Middle Road
#07-02 Prime Centre
Singapore, 188980
Tel: 65-334-8870 Fax: 65-334-8850

Taiwan

Microchip Technology Taiwan
11F-3, No. 207
Tung Hua North Road
Taipei, 105, Taiwan
Tel: 886-2-2717-7175 Fax: 886-2-2545-0139

EUROPE

Denmark

Microchip Technology Nordic ApS
Regus Business Centre
Lautrup høj 1-3
Ballerup DK-2750 Denmark
Tel: 45 4420 9895 Fax: 45 4420 9910

France

Microchip Technology SARL
Parc d'Activite du Moulin de Massy
43 Rue du Saule Trapu
Batiment A - 1er Etage
91300 Massy, France
Tel: 33-1-69-53-63-20 Fax: 33-1-69-30-90-79

Germany

Microchip Technology GmbH
Gustav-Heinemann Ring 125
D-81739 Munich, Germany
Tel: 49-89-627-144 0 Fax: 49-89-627-144-44

Italy

Microchip Technology SRL
Centro Direzionale Colleoni
Palazzo Taurus 1 V. Le Colleoni 1
20041 Agrate Brianza
Milan, Italy
Tel: 39-039-65791-1 Fax: 39-039-6899883

United Kingdom

Arizona Microchip Technology Ltd.
505 Eskdale Road
Winnersh Triangle
Wokingham
Berkshire, England RG41 5TU
Tel: 44 118 921 5869 Fax: 44-118 921-5820

01/18/02